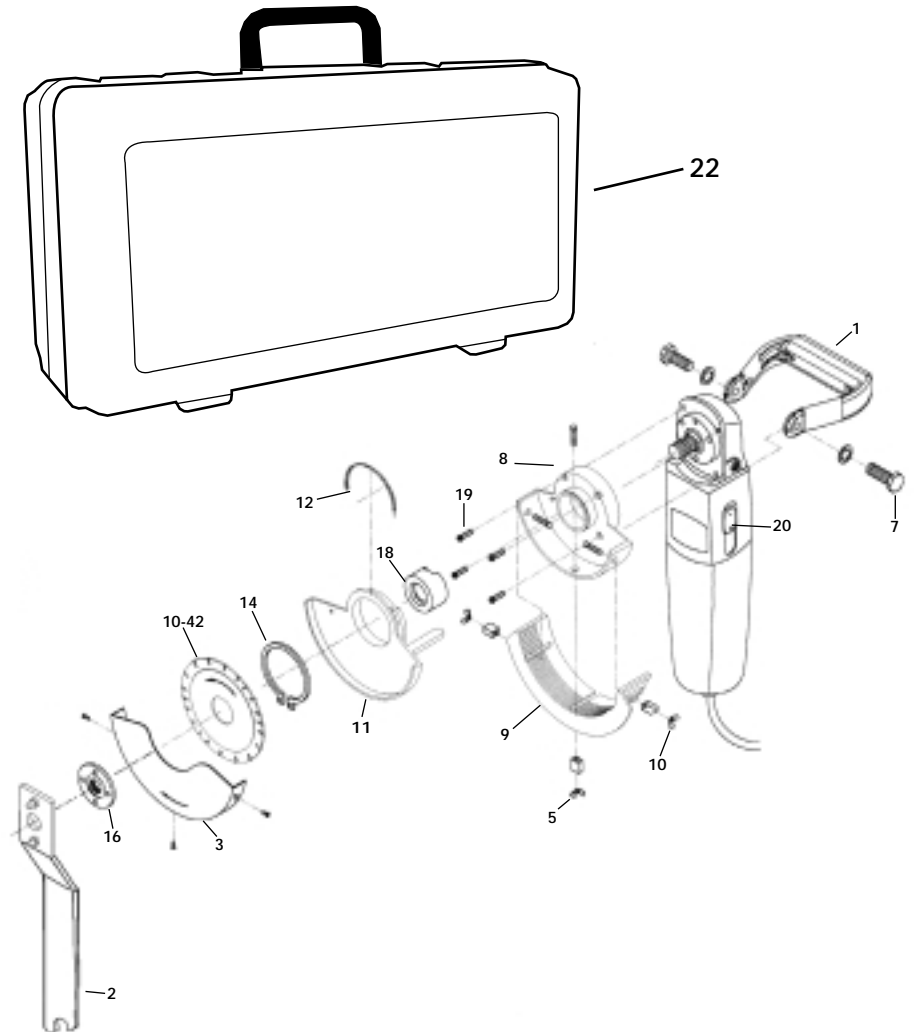




No. 10-40 Jamb Saw

ORDER NO.	DESCRIPTION	PRICE
10-40-01	Handle w/Bolts	\$4.00 ea.
10-40-02	Spanner Wrench	\$4.50 ea.
10-40-03	Blade Safety Cover w/Screws	\$4.50 ea.
10-40-05	Clinch Head Screws/Wing Nuts	\$3.99 ea.
10-40-07	Handle Bolt and Lock Washer	\$1.09 ea.
10-40-08	Mounting Body	\$9.95 ea.
10-40-09	Adjustment Skirt	\$7.95 ea.
10-40-10	Screw, Lock Washer, Wingnut (bulk)	\$0.49 ea.
10-40-11	Safety Guard	\$4.99 ea.
10-40-12	Return Spring	\$0.99 ea.
10-40-14	Snap Ring	\$0.99 ea.
10-40-16	Blade Retainer Nut	\$3.29 ea.
10-40-18	Spacer Blocks	\$0.99 ea.
10-40-19	Mounting Screws (4)	\$0.99 set
10-40-20	Switch	\$6.85 ea.
10-40-22	Plastic Carry Case	\$12.85 ea.
10-40-23	Armature	\$19.35 ea.
10-40-24	Field Assembly	\$16.85 ea.
10-42	4-3/8" Carbide Tip Saw Blade	\$19.90 ea.





ORDER FORM

ORDER NO.	DESCRIPTION	QUANTITY	PRICE	TOTAL

Subtotal	
Shipping & Handling	\$6.95
Total Amount	

To Order:

Fax to 561-241-2830

or

Mail to Q.E.P. Co., Inc.

1081 Holland Drive

Boca Raton, FL 33487

Name: _____

Address: _____

City: _____ State: _____ Zip: _____

Phone #: _____ Daytime Phone #: _____

Payment: CHECK VISA MASTER CARD

Credit Card #: Expires: / /

Signature: _____ Date: _____