

LL300



User Guide
Bedienungsanleitung
Manuel d'utilisation
Manuale d'uso
Manual de funcionamiento
Gebruiksaanwijzing
Operatörshandbok
Brugermanual
Guia do Usuário
Bruksanvisning
Käyttäjän opas
Kullanici Rehberi
取扱説明書



Trimble Construction
Instruments Division
5475 Kellenburger Road
Dayton, Ohio 45424-1099
USA

+1-937-245-5600 Phone

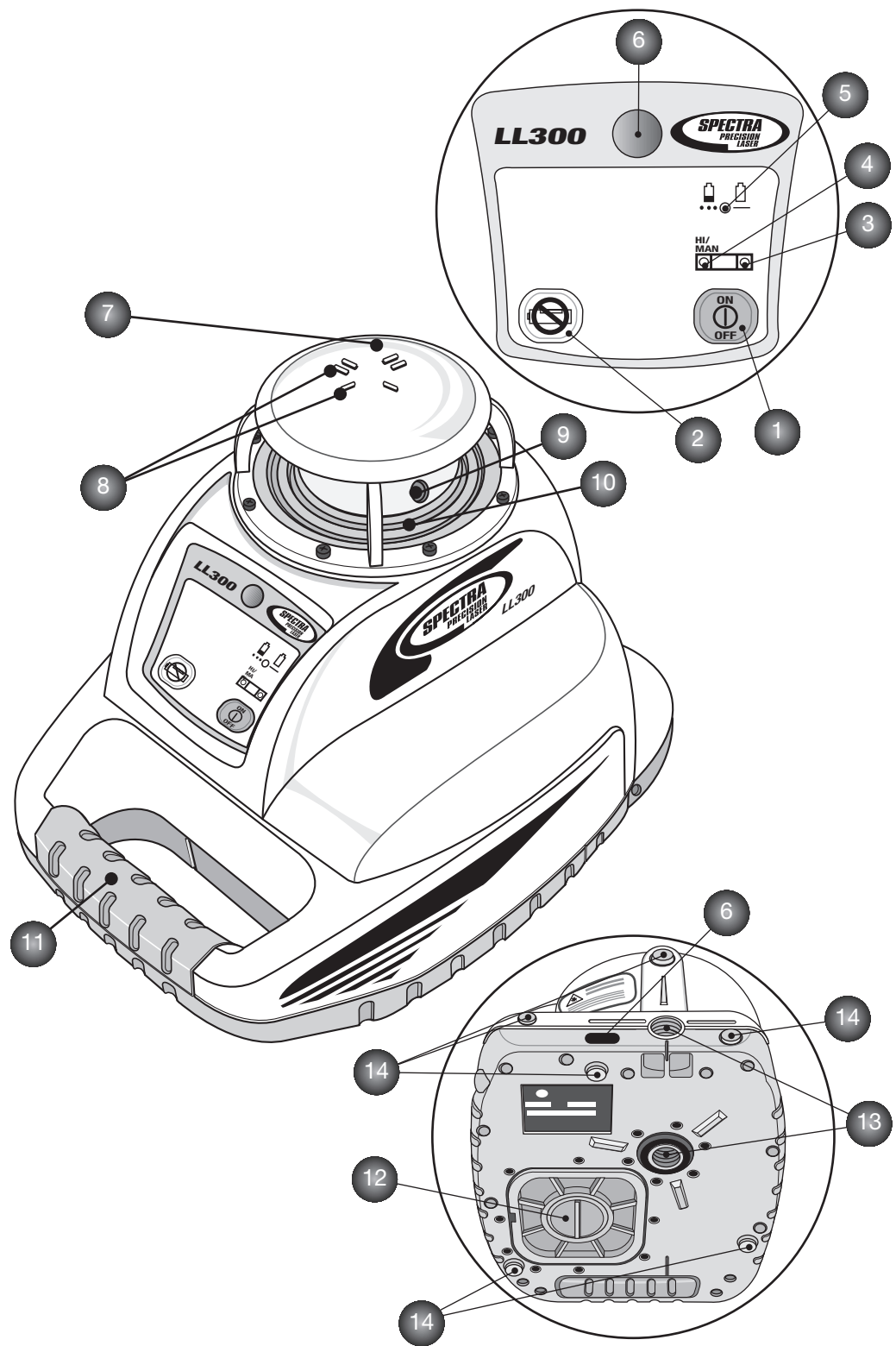
www.trimble.com



© 2004, Trimble Navigation Limited. All rights reserved
PN Q102874

www.trimble.com





| | |
|--|-----------|
| FOR YOUR SAFETY | 5 |
| Important Information | 5 |
| COMPONENTS | 6 |
| POWER SUPPLY | 6 |
| Installing the Batteries | 6 |
| Operating Time | 6 |
| Charging the Batteries | 7 |
| HOW TO USE THE LASER | 7 |
| Laser Setup | 7 |
| Self-leveling and Height (HI) Change Alert | 7 |
| Manual-/Single Slope Mode | 7 |
| OPERATING EXAMPLES | 8 |
| Determining the Height of Instrument (HI) | 8 |
| Marking Heights | 8 |
| Vertical Application | 8 |
| LEVELING ACCURACY | 9 |
| Influences on Leveling Accuracy | 9 |
| Checking Calibration | 9 |
| MAINTENANCE AND CARE | 10 |
| SYSTEM CLEANING | 10 |
| PROTECTING THE ENVIRONMENT | 10 |
| WARRANTY | 10 |
| SPECIFICATIONS | 11 |

FOR YOUR SAFETY



**LASER RADIATION
AVOID DIRECT EYE EXPOSURE
CLASS 3R LASER PRODUCT**

- Do not remove warning labels from the unit.
- The laser is subject to class 3R (< 5mW, 600 ... 680 nm).
- Due to the small diameter beam, watch and secure the course of the beam in remote areas.
- **Never** look into the laser beam or direct it to the eyes of other people.
- Always operate the unit in a way that prevents the beam from getting into people's eyes.

Important Information

- Always place the laser in the middle of the working area.
- Tripod/wall mount operation is recommended for distances over 20 m (65 ft).
- Check the accuracy regularly.
- Stable mounting is necessary for secure operations.
- Keep the glass of the instrument clean.

COMPONENTS

Buttons

- 1 Power Button
- 2 Manual Button

Control indicators

- 3 Leveling Indicator
- 4 Manual/Hi-Warning Indicator
- 5 Battery Indicator

Elements of the unit

- 6 Infrared Receiver (for remote control)
- 7 Rotor Cage
- 8 Sighting Guides
- 9 Beam Aperture/Prism Cap
- 10 Elastic Rubber Boot
- 11 Handle
- 12 Battery Door
- 13 5/8x 11 Tripod Mounts
- 14 Rubber Feet

POWER SUPPLY

Before using the unit for the first time, install alkaline or rechargeable batteries. If Ni-Cads are used, first recharge the batteries. See battery section.



The Ni-Cad and Ni-MH batteries may contain small amounts of harmful substances.

Be sure to charge the battery before using it for the first time, and after not using it for an extended length of time. Charge only with specified chargers according to device manufacturer's instructions.

Do not open battery, dispose of in fire or short circuit; it may ignite, explode, leak or get hot causing personal injury.

Dispose in accordance with all applicable federal, state, and local regulations.

Keep the battery away from children. If swallowed, do not induce vomiting. Seek medical attention immediately.

Installing Batteries

Remove the battery door by turning the center screw 90° counterclockwise. Insert batteries (or a rechargeable battery pack) into the housing so that the **negative poles are on the bigger battery spiral springs**.

Install the battery door and tighten it by turning the center screw 90° clockwise.



A mechanical switch prevents alkaline batteries from being charged. Only the original rechargeable battery pack allows charging within the unit. Any other rechargeable batteries have to be charged externally.

Operating Time

Rechargeable batteries permit an operating time of approx. 45 hours in rotation.

Alkaline batteries (AlMn) permit an operating time of approx. 90 hours in rotation.

The following factors reduce the operating time:

- frequent self-leveling due to wind or vibration;
- extreme temperatures;
- old rechargeable batteries or rechargeable batteries with memory-effect;
- using batteries of different capacities.



Remove all batteries at the same time. Never use batteries with different capacities. Only use new (charged) batteries (rechargeable).

Low voltage is indicated by the slow flashing battery indicator (5).

Charging the batteries

The charger requires approx. 10 hours to charge empty rechargeable batteries. For this charging, connect the plug of the charger to the recharge jack of the unit. New or long-time out-of-use rechargeable batteries reach their best performance after being charged and recharged five times.



The batteries should only be charged when the laser is between 50° F and 104° F (10° C to 40° C) Charging at a higher temperature may damage the batteries. Charging at a lower temperature may increase the charge time and decrease the charge capacity, resulting in loss of performance and shortened life expectancy.

HOW TO USE THE LASER

Laser Setup

Position the unit horizontally (tripod mount and rubber feet downward!) on a stable platform, wall mount, or tripod at the desired elevation.

Press the power button (1) to turn on the unit. The LEDs (3, 4 and 5) are turned on for 3 seconds. Self-leveling will start at once. The unit is leveled when the leveling indicator (3) is no longer flashing (once every second). The rotor will not spin until the unit is leveled. For the first five minutes after the laser self levels, the LED lights solid then flashes every four seconds to let you know the laser is still level.

In order to switch the unit off, press the power button (1) again.

If the laser is positioned beyond its self-leveling range of $\pm 8\%$, the manual and leveling indicators flash simultaneously and a warning sound is emitted. Reposition the laser within its self-leveling range.

Self-leveling, Height Change (HI) Alert

Once turned on, the unit automatically levels itself in ranges of 8% (± 0.8 m / 10 m). In order to recognize the leveling process at the measuring area and in order not to mark faulty heights during this operation, the rotation stops.

Once leveled, the unit constantly monitors its level condition. The height change (HI) alert is activated 5 minutes after self-leveling was performed and the laser is rotating at 600 min^{-1} .

Level errors $> 30 \text{ mm}/10 \text{ m}$ put the unit into alert mode because they are generally caused by a disturbance that could lead to inaccurate measurements. When entering into alert mode, the prism stops, the laser beam turns off, a warning sound is heard and the HI Warning LED (4) flashes 2 x per second. Turn the unit off and then on again. To ensure your former elevation, now you have to check or arrange the exact height.

Manual Mode/Single Slope Mode

When you press the 'M' button (2) on the laser, the remote control, or the receiver-remote control, the laser is set from automatic self-leveling mode to Manual mode. Manual mode is indicated by the flashing (once every second) red LED (4). In Manual mode, the Y-axis can be sloped by pressing the Up- and Down-Arrow-buttons on the remote control. Additionally, the X-axis can be sloped by pressing the Left- and Right-Arrow-buttons on the remote control.

When you press the 'M' button again on the remote control, the laser is set into Single Slope mode. This is indicated by the flashing red (4) and green (3) LEDs (once every second). In Single Slope mode, the Y-axis can be sloped by pressing the Up- and Down-Arrow-buttons on the remote control, while the X-axis remains in automatic self leveling mode (e.g. when setting up ramps or drive ways). The Height change (HI) alert is still active.

Pressing the manual button at the laser or remote control again, changes the laser back to automatic self-leveling mode as indicated by the flashing green LED (3).

OPERATING EXAMPLES

Determining the Height of Instrument (HI)

The height of instrument (HI) is the elevation of the laser's beam.

The HI is determined by adding the grade-rod reading to a benchmark or known elevation.

Set up the laser and place the grade rod on a job-site benchmark (BM) or known elevation.

Slide the receiver up/down the grade rod until it shows an on-grade reading.

Add the grade-rod reading to the benchmark to determine the height of instrument.

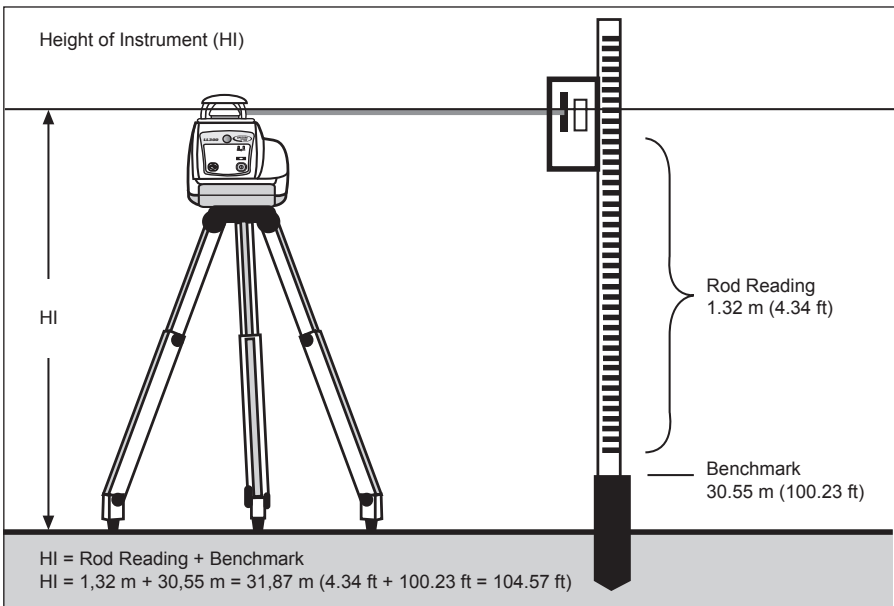
Example:

Benchmark = 30.55 m (100.23 ft)

Rod reading = +1.32 m (+4.34 ft)

Height of instrument = 31.87 m (104.57 ft)

Use this HI as a reference for all other elevations.



Marking Heights

Set up the laser in **horizontal mode** (e.g., using a tripod or wall mount) so that the laser beam is at the desired height.

When working without a tripod or wall mount, set up the laser on a stable surface and measure the height difference between laser beam and desired height by using a ruler and mark the measured height again.

Vertical Application

Level the tripod and allow the laser to level in automatic self-leveling mode.

Push the manual mode button and change the laser's position on the tripod for vertical alignment by using the vertical mounting thread.

Rotate the laser until the vertical laser plane aligns with the receiver's on-grade position.

In order to avoid offset errors, the receiver should be used close to the elevation where the laser has been set up.

If a remote control is available, the up and down arrow buttons can be used for fine adjustments.

LEVELING ACCURACY

Influences on the leveling accuracy

The overall accuracy of the unit can be influenced by many factors:

- factory accuracy;
- temperature of the unit;
- ambient influences like rain, wind and temperature.

The factor that influences on the unit's accuracy most is the ambient temperature. Vertical differences in temperature near the ground can divert the laser beam, similar to the heat waves seen on hot asphalt streets.

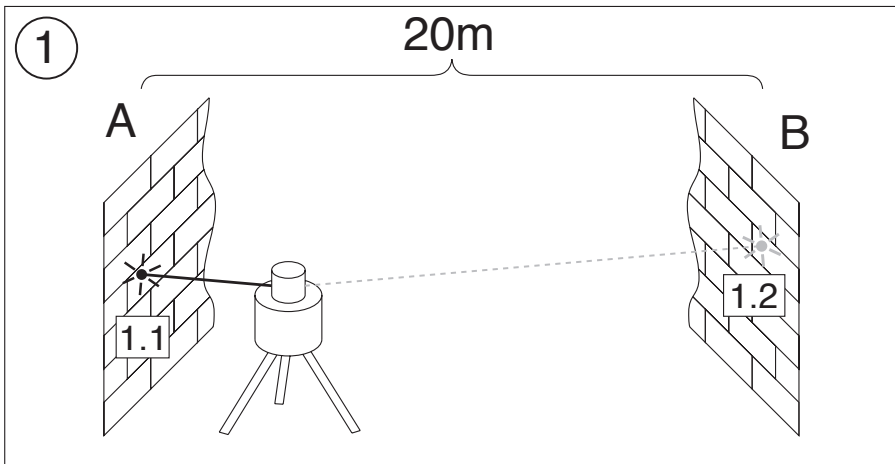


This factor also applies to all **optical measuring devices** such as automatic levels and theodolites.

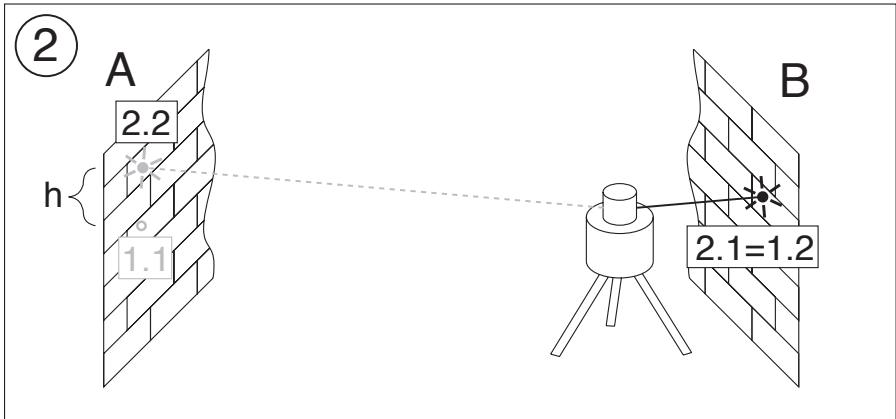
Accuracy Check

To ensure job-site accuracy, you need a distance of 20 m (65 feet) between two walls A and B, where you will execute 4 measuring operations on a tripod as follows (transit measurement).

Set the unit horizontally on a tripod near wall A and switch it on with the plus X-axis pointing towards wall A. After the unit is level, mark the height of the laser beam using a receiver at wall A. Turn the entire unit 180°, let it self-level and mark the center of the laser beam at wall B.



Now, place the unit near wall B with the plus X-axis pointing towards wall B. After the unit is level, mark the height of the laser beam at wall B. Turn the entire unit 180°, let it self-level and mark the center of the laser beam at wall A. The difference (h) of the marked points at wall A shows the deviation.



If the unit is within its working accuracy limits ($\pm 20''$) the maximum difference from true level at 20 m (65 ft.) + 20 m (65 ft.) = 40 m (130 ft.) is 4 mm (3/16 inch).

Repeat the above steps for "minus X" and for "plus-" and "minus Y", so that a measurement for all four axes of the unit have been performed.

The accuracy of the detector has to be regarded.

PROTECTING THE UNIT

Do not expose the unit to extreme temperatures or temperature changes (do not leave inside the car).

The unit is very robust and can resist damage if dropped even from tripod height. Before continuing your work, always check the leveling accuracy. See Accuracy Check section.

The laser is water proof and can be used indoors and outdoors.

CLEANING AND MAINTENANCE

Dirt and water on the glass parts of laser or prism will influence beam quality and operating range considerably. Clean with cotton swabs.

Remove dirt on the housing with a lint-free, warm, wet and smooth cloth. Do not use harsh cleansers or solvents. Allow the unit to air dry after cleaning it.

PROTECTING THE ENVIRONMENT

The unit, accessories and packaging should be recycled.

This manual is made of non-chlorine recycling paper.

All plastic parts are marked for recycling according to material type.



Do not throw used batteries into the garbage, water or fire. Remove them in compliance with environmental requirements.

WARRANTY

According to legal regulations, the warranty-period for this unit is 12 months for material and manufacturing defaults.

We do not take any liability for damages caused by a non-accurate unit.



Before starting to work, always carry out the **Accuracy Check** according to the corresponding chapter.

This warranty is no longer valid if the unit is opened or the labels are removed.

SPECIFICATIONS

| | |
|---|---|
| Leveling Accuracy ^{1, 3} : | < ± 18 arc seconds, < ± 2.6 mm/30 m (< ± 3/32in./100 ft) |
| Rotation Speed: | 600 rpm |
| Operating Range (Diameter ^{1,2}): | 400 m (1315 feet) |
| Laser Type: | 635 nm |
| Laser Class: | Class 3R, <5mW |
| Self-Leveling Range: | approx. ± 8% (approx. ± 4,8°) |
| Leveling Time: | approx. 30 sec |
| Leveling Indicators: | LED flashes |
| Laser Beam Diameter ¹ : | approx. 8 mm at the laser |
| Power Source: | 4 x D-cell NiCad or alkaline batteries (LR20) |
| Operating Temp.: | -20° C ... 50° C (-4° F...122° F) |
| Storage Temp.: | -20° C ... 70° C (-4° F...158° F) |
| Tripod Mounts: | 5/8 x 11 horizontally and vertically |
| Weight: | 2,7 kg |
| Low voltage indication: | flashing/shining of the battery indicator |
| Low voltage disconnection: | unit shuts off |

1) at 21° Celsius

2) under optimal atmospheric circumstances

3) along the axis

DECLARATION OF CONFORMITY

We

Trimble Kaiserslautern GmbH

declare under our sole responsibility that the product

LL300

to which this declaration relates is in conformity with the following standards

EN 61000-4-2, 1995; EN 55011, 1998; EN 61000-4-3, 2002

following the provisions of directive

Electromagnetic compatibility 89/336/EEC.

Kaiserslautern, den 17.03.2004

Bernd Brieger

The managing director

| | |
|--|----|
| ZU IHRER SICHERHEIT | 12 |
| Unbedingt beachten | 12 |
| GERÄTEELEMENTE | 13 |
| STROMVERSORGUNG | 13 |
| Einsetzen der Batterien | 13 |
| Betriebsdauer | 13 |
| Akkus Laden | 14 |
| INBETRIEBNAHME | 14 |
| Laseraufbau | 14 |
| Nivellierautomatik und Trittsicherung | 14 |
| Manuellbetrieb/Einachsen-Neigungsbetrieb | 14 |
| ARBEITSBEISPIELE | 15 |
| Bestimmung der Gerätehöhe (Hl) | 15 |
| Meterriss/Höhe übertragen | 15 |
| Vertikalbetrieb | 15 |
| NIVELLIERGENAUIGKEIT | 16 |
| Genauigkeitseinflüsse | 16 |
| Genauigkeitsüberprüfung | 16 |
| GERÄTESCHUTZ | 17 |
| REINIGUNG UND PFLEGE | 17 |
| UMWELTSCHUTZ | 17 |
| GARANTIE | 17 |
| TECHNISCHE DATEN | 18 |

ZU IHRER SICHERHEIT



**LASERSTRAHLUNG
DIREKTE BESTRAHLUNG
DER AUGEN VERMEIDEN
LASER KLASSE 3R**

- Warningschilder am Laser nicht entfernen!
- Der Laser unterliegt der Klasse 3R (max. 5mW, 600..680 nm; DIN EN 60825-1:2001-11).
- Wegen des gebündelten Strahls auch den Strahlengang in größerer Entfernung beachten und sichern!
- **Niemals** in den Laserstrahl blicken oder anderen Personen in die Augen leuchten! Dies gilt auch in größeren Abständen vom Laser!
- Laser immer so aufstellen, dass Personen **nicht** in Augenhöhe angestrahlt werden (Achtung an Treppen).
- **In Deutschland: Der Anwender muß die BGI 832 (Berufsgenossenschaftliche Information) beachten.**

Unbedingt beachten

- Laser in der Mitte des Arbeitsfeldes aufstellen
- Für Entfernungen ab 20 m möglichst auf Stativ betreiben
- Öfter Genauigkeitsüberprüfung durchführen
- Ein stabiler Stand ist Grundlage für sicheren Betrieb
- Glasflächen am Laser und Umlenkprisma sauber halten

GERÄTEELEMENTE

Bedienfeldtasten

- 1 Ein/Aus-Taste
- 2 Manuell-Taste

Kontrollanzeigen

- 3 Nivellieranzeige
- 4 Manuell-/HI-Warnanzeige
- 5 Batterieanzeige

Geräteelemente

- 6 Infrarotempfänger für Fernsteuerung
- 7 Laserkopf
- 8 Achsausrichtungskerbene
- 9 Strahlaustritt
- 10 Beweglicher Gummibal
- 11 Tragegriff
- 12 Batteriefachdeckel
- 13 Stativanschlüsse
- 14 GummifüÙe

STROMVERSORGUNG

Vor der ersten Inbetriebnahme, falls nicht schon im Werk geschehen, Batterien bzw. wiederaufladbare Batterien (Akkus) einsetzen. Bei Akku-Betrieb zuerst die Akkus laden. Siehe entsprechenden Abschnitt.



Die NiCd- und NiMH-Batterien können geringe Mengen an Schadstoffen enthalten.

Stellen Sie sicher, dass die Batterien vor der erstmaligen Inbetriebnahme und nach längerer Nichtbenutzung geladen werden.

Verwenden Sie zum Aufladen nur die vorgesehenen Ladegeräte nach den Angaben des Herstellers.

Die Batterie darf nicht geöffnet, durch Verbrennung entsorgt oder kurzgeschlossen werden. Dabei besteht Verletzungsgefahr durch das Entzünden, Explodieren, Auslaufen oder Erwärmen der Batterie.

Beachten Sie die entsprechenden Vorschriften der jeweiligen Länder bei der Entsorgung.

Batterien unzugänglich für Kinder aufbewahren. Bei Verschlucken kein Erbrechen herbeiführen. Sofort ärztlichen Rat einholen.

Einsetzen/Wechseln der Batterien

Batteriefachdeckel durch 90°-Drehung des Zentralverschlusses abnehmen. Batterien/Akkus ins Batteriefach so einlegen, daß der **Minuskontakt auf den größeren Batteriespiralfedern** liegt (Akkus NUR im Akkupaket).

Die NiCd- Batterien nicht aus dem Batteriekäfig entfernen und NIEMALS Alkalibatterien in diesen einsetzen.

Deckel auflegen und mit Zentralverschluß fixieren.



Bei Verwendung von Alkali-Batterien wird ein Laden durch eine mechanische Sicherung verhindert. Nur der Original-Akkupack erlaubt ein Laden im Laser. Fremdakkus müssen extern geladen werden.

Betriebsdauer

Bei Verwendung von Alkali (AlMn) Batterien (Monozelle) beträgt die Einsatzdauer ca. 90 h.

NiCd-Akkus ermöglichen eine Betriebszeit von ca. 45 h.

Folgende Punkte vermindern die Betriebsdauer:

- häufiges Nachregeln der Lage (Wind, Erschütterungen);
- extreme Temperaturen;
- gealterte Akkus; häufiges Laden noch fast voller Akkus (Memory-Effekt).
- Verwendung von Batterien unterschiedlicher Ladungszustände.



Batterien/Akkus immer zusammen austauschen. Nie Batterien/Akkus unterschiedlicher Kapazitäten verwenden, nach Möglichkeit **neue/neu geladene** Batterien/Akkus **eines** Herstellers einsetzen.

Einen Hinweis zum Laden bzw. Austausch der Batterien/Akkus gibt die Batterieanzeige **5** zunächst durch langsames Blinken. Bei weiterer Entladung leuchtet die LED dauerhaft.

Akkus laden

Das zugehörige Netzladegerät benötigt etwa 10 Stunden zum Laden von leeren Akkus. Dazu Ladegerätestecker in die Ladebuchse des Lasers einstecken. Neue bzw. längere Zeit nicht gebrauchte Akkus bringen erst nach fünf Lade- und Entladezyklen ihre volle Leistung.



Akkus sollten nur geladen werden, wenn die Temperatur zwischen 10° und 40° liegt. Ein Laden bei höheren Temperaturen könnte die Akkus schädigen. Laden bei niedrigeren Temperaturen verlängert die Ladezeit und verringert die Kapazität, was zu reduzierter Leistung und zu einer geringeren Lebenserwartung der Akkus führt.

EINSATZ DES LASERSYSTEMS

Laseraufbau

Laser horizontal (Stativanschluss und 3 Gummipuffer unten!) auf einer **stabilen** Unterlage oder mittels 5/8" x 11 Stativanschluss auf einem Stativ oder Säulen-/Wandhalter in der gewünschten Höhe aufstellen.

Drücken der Ein/Aus-Taste **1** schaltet den Laser ein und alle LED-Anzeigen **3, 4, 5** für 3 Sek. Der Laser startet immer im automatischen Horizontal-Selbstnivelliermodus. Während des Nivelliervorgangs steht der Rotor, die Nivellieranzeige **3** blinkt (1x pro Sek.). Der Laser ist einnivelliert, wenn die Nivellieranzeige **3** nicht mehr blinkt und die Rotation mit 600 ¹/min einsetzt. Die Nivellieranzeige leuchtet für 5 min. dauerhaft, dann zeigt sie durch erneutes Blinken (1x alle 4 Sek.), dass der Laser im Automatikbetrieb arbeitet. Steht der Laser mehr als 8 % schief (Selbstnivellierbereich), blinken die Nivellier- und Manuell/HI-Warnanzeige ständig, gleichzeitig ertönt ein akustisches Warnsignal. Den Laser dann neu ausrichten.

Zum Ausschalten, Ein/Aus-Taste **1** erneut drücken.

Nivellierautomatik, Trittsicherung

Nach dem Einschalten gleicht der Laser **selbstständig** Unebenheiten von ca. 8 % ($\pm 0,8$ m/10 m) aus, wobei der Rotor noch steht. Nach dem Einnivellieren **überwacht** der Laser die Lage. Die **Trittsicherung** wird ca. 5 Minuten nach jedem erstmaligem Nivellieren aktiviert. Bei einer Lageänderung von **> 30 mm / 10 m**, löst die **Trittsicherung** aus, um zu Verhindern, dass größere Verkippungen zu Höhenfehlern führen. Hier stoppt der Rotor, der Laserstrahl schaltet ab, die Manuell-/HI-Warnanzeige **4** blinkt (2x pro Sek.) und zusätzlich ertönt ein pulsierendes Warnsignal. Den Laser aus- und wieder einschalten und anschließend die ursprüngliche Laserstrahlhöhe überprüfen bzw. neu einrichten.

Manuellbetrieb/Einachsen-Neigungsbetrieb

Einmaliges kurzes Drücken der Manuelltaste **2** am Laser bzw. der Fernbedienung oder der Empfänger-Fernbedienungskombination schaltet den Laser vom automatischen Selbstnivellierbetrieb in den Manuellbetrieb um, was durch Blinken der roten LED **4** im Sekundentakt signalisiert wird. In dieser Betriebsart kann durch Drücken der Pfeiltasten „Auf/Ab“ an der Fernbedienung die Y-Achse, durch Drücken der Pfeiltasten „Rechts/Links“, die X-Achse des Lasers geneigt/ausgerichtet werden.

Erneutes kurzes Drücken der Manuelltaste an der **Fernbedienung**, schaltet den Laser in den Einachsen-Neigungsbetrieb um, was durch gleichzeitiges Blinken der grünen und roten LED **3/4** im Sekundentakt signalisiert wird. In dieser Betriebsart kann mit Hilfe der Pfeiltasten „Auf/Ab“ der Fernbedienung die Y-Achse geneigt werden, während die X-Achse weiterhin im automatischen Horizontalbetrieb arbeitet (z.B. bei Auffahrten, Rampen etc.). Die Trittsicherung ist ebenfalls aktiv, d.h., der Laseraufbau wird weiterhin überwacht, obwohl die Y-Achse manuell geneigt ist.

Erneutes kurzes Drücken der Manuelltaste am Laser oder der Fernbedienung schaltet den Laser in den automatischen Selbstnivellierbetrieb zurück, was durch die grüne LED **3** bestätigt wird.

ARBEITSBEISPIELE

Bestimmung der Gerätehöhe (HI)

Die Gerätehöhe (HI) ist die Höhe des Laserstrahls. Sie wird durch die Addition der Meßlattenablesung zu einer Höhenmarkierung oder einer bekannten Höhe ermittelt.

Aufbau des Lasers und Positionierung der Messlatte mit dem Empfänger auf einem bekannten Höhen- oder Referenzpflock (NN).

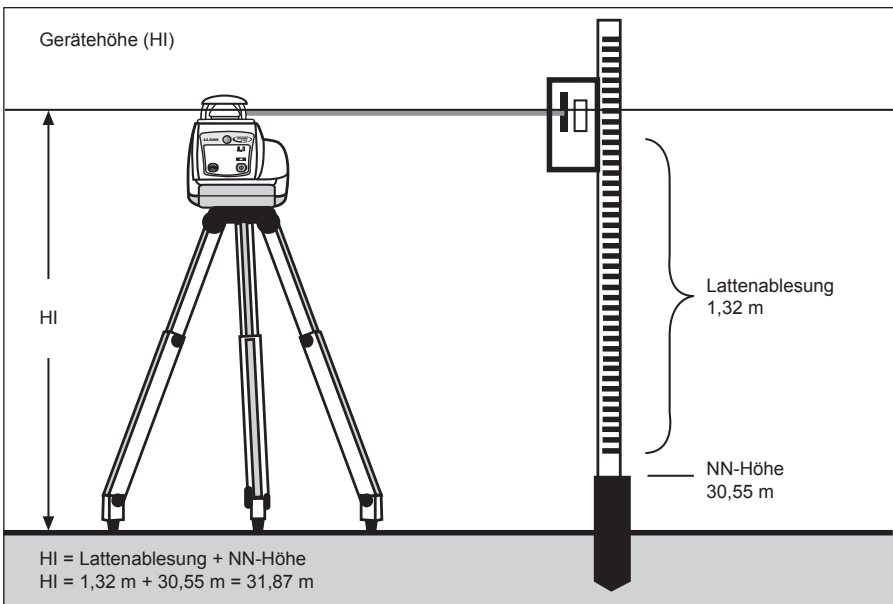
Empfänger auf die Position "Auf Höhe" des Laserstrahls ausrichten.

Addieren der Meßlattenablesung zur bekannten NN-Höhe, um die Laserhöhe zu ermitteln.

Beispiel:

| | | |
|----------------|---|---------|
| NN-Höhe | = | 30,55 m |
| Lattenablesung | = | +1,32 m |
| Laserhöhe | = | 31,87 m |

Die Laserhöhe als Referenz für alle anderen Höhenmessungen verwenden.



Meterriss/Höhe übertragen

Laser in der **Horizontalbetriebsart** so aufstellen (z. B. mittels Kurbelstativ), so dass sich die Laserebene auf der gewünschten Höhe befindet.

Beim Arbeiten ohne Stativ, Laser auf einer stabilen Unterlage aufstellen und Höhendifferenz zwischen Laserstrahl und gewünschtem Höhenpunkt mit Hilfe eines Metermaß ermitteln und die gemessene Höhendifferenz dann antragen.

Vertikalbetrieb

Den Laser auf einem nivellierten Stativ sich zuerst im Horizontalbetrieb **einnivellieren** lassen.

Mit der Manuell Taste auf den Manuellmodus umschalten und mittels der Vertikalgewindeaufnahme auf dem Stativ aufbauen.

Nach dem vertikalen Aufbau des Lasers, kann durch Verdrehen des Lasers die vertikale Laserstrahlebene auf die Empfängermitte ausgerichtet werden.

Zur Vermeidung von Offsetfehlern bei diesen Arbeiten, sollte der Empfänger in etwa auf der Höhe des Lasers eingesetzt werden.

Mit den „Auf/Ab“ - Pfeiltasten der Fernbedienung kann eine Feinausrichtung durchgeführt werden.

NIVELLIERGENAUIGKEIT

Genauigkeitseinflüsse

Die mögliche Nivelliergenauigkeit wird von vielen Faktoren beeinflusst:

- Werksgenauigkeit;
- Temperatur des Lasers;
- Umgebungseinflüsse wie Regen, Wind und Temperatur.

Den größten Einfluß auf die Meßgenauigkeit besitzt die Umgebungstemperatur. Speziell **vertikale Temperaturunterschiede** in Bodennähe lenken den Laserstrahl, ähnlich dem Flimmern über heißen Asphaltstraßen, ab.



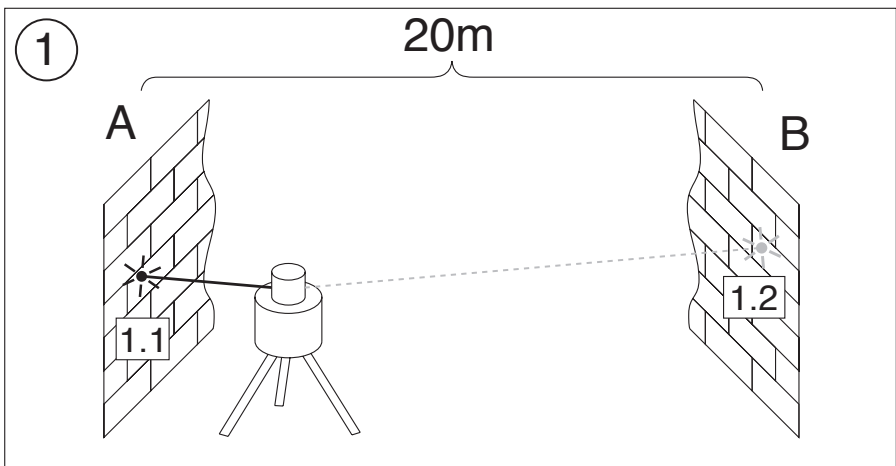
Dies gilt für alle optischen Meßgeräte, wie Theodolit oder Nivelliergerät!

Genauigkeitsüberprüfung

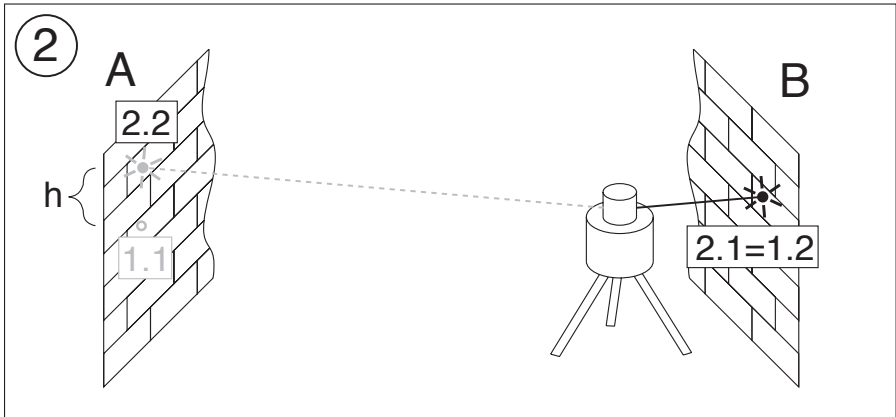
Dazu wird eine freie Strecke von 20 m Länge zwischen zwei Wänden (A und B) benötigt und eine **Umschlagsmessung** über beide Achsen X und Y im Horizontalbetrieb durchgeführt (4 Messungen).

Laser horizontal auf einer ebenen Unterlage oder auf einem Stativ nahe der einen Wand (A) platzieren und in der + X-Achsen-Richtung zur nahen Wand (A) ausrichten. Nach dem Einnivellieren, die Höhe (mittels Empfänger) an der Wand antragen.

Dann den Laser um 180° drehen, nach der Nivellierung, die Höhe an der entfernten Wand (B) markieren.



Nun den Laser nahe der Wand B platzieren. Ausrichten des nivellierten Lasers in der + X-Achsen-Richtung zur nun nahen Wand B, so dass genau die zuvor markierte Höhe (aus der Messung von Wand A aus) realisiert ist. Drehen des Lasers um 180°, nach der Nivellierung, Höhe an der Wand A markieren. Die Differenz (h) der beiden hier markierten Höhen ergibt nun die tatsächliche Laserabweichung.



Liegt der Laser an der Grenze der Werksgenauigkeit ($\pm 1,0$ mm auf 10 m) beträgt bei $20 + 20 = 40$ m die maximale Abweichung von der Nulllage 4 mm.

Dies in gleicher Weise für die - X-Achse und für die plus und minus Y-Achse wiederholen, so dass die Höhe über alle 4 Richtungen auf den gleichen Wandpunkt gemessen wurde.

GERÄTESCHUTZ

Laser nicht extremen Temperaturen und Temperaturschwankungen aussetzen (nicht im Auto liegen lassen).

Der Laser ist sehr robust. Trotzdem ist mit Meßgeräten sorgfältig umzugehen. Nach stärkeren äußeren Einwirkungen, vor weiterem Arbeiten immer die Nivelliergenauigkeit überprüfen.

Der Laser kann im Innen- und Außenbereich eingesetzt werden.

REINIGUNG UND PFLEGE

Verschmutzungen der **Glasflächen** an Austrittsöffnung **9** beeinflussen die Strahlqualität und Reichweite entscheidend.

Mit Wattestäbchen säubern. Auf Fusseln achten. Gummibalg **10** besonders sauber halten. Verschmutzungen mit feuchtem, weichem Tuch abwischen.

Keine scharfen Reinigungs- und Lösemittel verwenden. Nassen Laser an der Luft trocknen lassen.

UMWELTSCHUTZ

Laser, Zubehör und Verpackung sollten einer umweltgerechten Wiederverwertung zugeführt werden.

Diese Anleitung ist aus chlorfrei gefertigtem Recycling-Papier hergestellt. Alle Kunststoffteile sind zum sortenreinen Recycling gekennzeichnet.



Verbrauchte Batterien/Akkus nicht in den Hausmüll, ins Feuer oder ins Wasser werfen, sondern umweltgerecht entsorgen.

GARANTIE

Der Laser besitzt gemäß der gesetzlichen Bestimmungen 12 Monate Garantie auf Material und Herstellungsfehler.

Für Schäden die durch Anwendung eines dejustierten Lasers entstehen, wird keine Haftung übernommen.



Vor Arbeitsbeginn immer **Genauigkeitsprüfung** gemäß gleichnamigem Abschnitt durchführen.

Die Garantie erlischt mit dem Öffnen des Lasers oder dem Entfernen der Typschilder.

TECHNISCHE DATEN

| | |
|---|-----------------------------------|
| Meßgenauigkeit ^{1,3} : | < ± 18“; < ± 2,6 mm/30m |
| Rotationsgeschwindigkeit: | 600 ¹ /min. |
| Arbeitsbereich ¹ : (Durchmesser) | 400 m |
| Lasertyp: | sichtbar, 635 nm |
| Laserklasse: | Laserklasse 3R, <5 mW |
| Selbstnivellierbereich: | typ. ± 8 % (ca. ± 4,8°) |
| Nivellierzeit: | typ. 30 sec. |
| Nivellieranzeige: | LED blinkt |
| Strahldurchmesser ¹ : | ca. 8 mm am Laser |
| Stromversorgung: | 4 x 1,5 V Monozellen Typ D (LR20) |
| Betriebstemperatur: | - 20° C ... + 50° C |
| Lagertemperatur: | - 20° C ... + 70 ° C |
| Stativanschlüsse: | 5/8“ horizontal und vertikal |
| Gewicht: | 2,7 kg |
| Niederspannungsanzeige: | Batterieanzeige blinkt/leuchtet |
| Niederspannungsabschaltung: | Gerät schaltet vollständig aus |

1) bei 21° Celsius

2) bei optimalen atmosphärischen Bedingungen

3) entlang der Achsen

KONFORMITÄTSERKLÄRUNG

Wir

Trimble Kaiserslautern GmbH

Am Sportplatz 5

D-67661 Kaiserslautern

erklären in alleiniger Verantwortung, dass das Produkt

LL300

auf das sich diese Erklärung bezieht, mit den folgenden Normen übereinstimmt

EN 61000-4-2, 1995; EN 55011:1998, 1994; EN 61000-4-3, 2002

gemäß den Bestimmungen der Richtlinie

Electromagnetic compatibility 89/336/EEC.

Kaiserslautern, den 17.03.2004

Bernd Brieger

Geschäftsführer

| | |
|---|----|
| POUR VOTRE SECURITE | 19 |
| A respecter impérativement | 19 |
| ELEMENTS DE L'APPAREIL | 20 |
| ALIMENTATION EN COURANT | 20 |
| Introduction des piles/accumulateurs | 20 |
| Durée de service | 21 |
| Chargement des accumulateurs | 21 |
| MISE EN SERVICE | 21 |
| Mise en place du laser | 21 |
| Nivellement automatique et sécurité de fonctionnement | 21 |
| Mode manuel/mode de nivellement sur un axe | 21 |
| EXEMPLES D'APPLICATIONS | 22 |
| Détermination de la hauteur de l'appareil (HI) | 22 |
| Marquage du repère à 1 mètre | 22 |
| Utilisation en mode vertical | 23 |
| PRECISION DE NIVELLEMENT | 23 |
| Influences de la précision | 23 |
| Contrôle de la précision | 23 |
| PROTECTION DE L'APPAREIL | 24 |
| NETTOYAGE ET ENTRETIEN | 24 |
| PROTECTION DE L'ENVIRONNEMENT | 24 |
| GARANTIE | 24 |
| CARACTERISTIQUES TECHNIQUES | 25 |

POUR VOTRE SECURITE



**RAYONNEMENT LASER
EVITE L'EXPOSITION
DIRECTE AVEC LES YEUX
LASER DE CLASSE 3R**

- Ne pas retirer les autocollants d'avertissement de l'appareil !
- Le laser est soumis à la catégorie 3R (max. 5mW, 600..680 nm; DIN EN 60825-1:2001-11).
- En raison du faisceau, tenir également compte de la trajectoire du faisceau à plus grande distance et le protéger !
- Ne regarder jamais dans le faisceau laser et ne pas le diriger dans les yeux d'autres personnes ! Ceci s'applique également aux plus grandes distances par rapport à l'appareil !
- Installer l'appareil toujours de sorte que les personnes ne soient pas soumises au faisceau au niveau des yeux (attention aux escaliers et en cas de réflexions).

A respecter impérativement

- Placer l'appareil au milieu du champ de travail.
- Pour les distances à partir de 20 m, utiliser si possible un trépied.
- Contrôler la précision régulièrement.
- Une position stable est la base d'un fonctionnement sûr.
- Veiller à ce que les surfaces en verre de l'appareil et le prisme soient propres.

ELEMENTS DE L'APPAREIL

Touches du panneau de commande

- 1 Touche marche/arrêt
- 2 Touche Manuel

Lampes-témoin

- 3 Indicateur de mise en service/de nivellement
- 4 Indicateur de mode manuel/d'alarme (HI)
- 5 Indicateur de niveau de batteries

Eléments de l'appareil

- 6 Récepteur à infrarouge pour la télécommande
- 7 Tête de laser
- 8 Entailles d'alignement des axes
- 9 Sortie du faisceau
- 10 Soufflet en caoutchouc mobile
- 11 Poignée
- 12 Couvercle de piles/batteries
- 13 emplacement pour trépieds
- 14 Ergos en caoutchouc

ALIMENTATION EN COURANT

Avant la première mise en service et si cela n'a pas déjà été réalisé à l'usine, introduire les piles ou les batteries rechargeables (accumulateurs). En mode accu, charger d'abord les accumulateurs. Voir paragraphe correspondant.



Les batteries NiCd et NiMH peuvent contenir de faibles quantités de substances nocives.

Assurez-vous de charger les batteries avant la première mise en service et après une longue durée de non-utilisation.

Utilisez uniquement les chargeurs prévus pour la recharge conformément aux indications du fabricant.

La batterie ne doit pas être ouverte, ni brûlée, ni court-circuitée. Il existe un risque de blessures causées par l'inflammation, l'explosion, l'écoulement ou le réchauffement de la batterie.

Respectez les prescriptions correspondantes des pays respectifs pour leur recyclage.

Conserver les batteries hors de portée des enfants. En cas d'absorption, ne pas provoquer de vomissements. Consulter immédiatement un médecin.

Introduction des piles/accumulateurs

Retirer le couvercle du compartiment de piles en tournant la fermeture centrale de 90°. Introduire les piles/accumulateurs dans le compartiment de manière à ce que le contact négatif se trouve sur les ressorts spiralés des piles et les fixer par la fermeture centrale.



En cas de piles alcalines, un chargement est empêché par une protection mécanique. Seul l'ensemble d'accumulateurs d'origine permet le chargement dans l'appareil. Les accumulateurs d'autres marques doivent être chargés de façon externe.

Durée de service

En cas d'utilisation de piles alcalines (pile ronde LR 20), la durée d'utilisation s'élève à 90 h environ en mode de rotation.

Les accumulateurs NiCd permettent une durée de service de 45 h environ en mode de rotation.

Les facteurs suivants réduisent la durée de service :

- réajustage fréquent de la position (vent, vibrations),
- températures extrêmes,
- accumulateurs âgés ; chargement fréquent d'accumulateurs presque pleins (effet Memoire),
- utilisation de piles à état de chargement différents.



Remplacer toujours toutes les piles/tous les accumulateurs. N'utiliser jamais des piles/accumulateurs de capacité différente; utiliser si possible des piles/accumulateurs neufs/chargés du même fabricant.

Le fait que les piles/accumulateurs doivent être chargés ou remplacés est signalé par l'indicateur 5 en clignotant d'abord lentement. Lorsque le déchargement se poursuit, la diode LED est constamment allumée avant que l'appareil s'arrête complètement

Chargement des accumulateurs

L'appareil nécessite 10 heures environ pour charger les accumulateurs vides. Pour cela, connectez la fiche du chargeur dans la prise de chargement de l'appareil. Les accumulateurs neufs ou pas utilisés pendant une période prolongée n'obtiennent leur puissance complète qu'après cinq cycles de chargement et de déchargement.



Les accumulateurs ne devraient être chargés que lorsque la température de l'appareil se situe entre 10°C et 40°C. Le chargement à des températures plus élevées risquerait d'endommager les accumulateurs. Le chargement à des températures plus basses prolonge le temps de chargement et réduit la capacité, ce qui donne lieu à une puissance réduite et une durée de vie réduite des accumulateurs.

MISE EN SERVICE

Placer l'appareil horizontalement ou verticalement sur un support stable ou, au moyen d'un trépieds, ou sur une fixation murale à la hauteur souhaitée. L'appareil reconnaît automatiquement le mode horizontal ou vertical en fonction de la position de l'appareil lors de la mise en circuit.

En appuyant sur la touche marche/arrêt 1, l'appareil est mis en marche et toutes les diodes à LED 3, 4, 5 s'allument pendant 3 secondes. Le nivellement commence immédiatement. Pour la mise hors service, réappuyer sur la touche. Pendant le nivellement, le rotor est arrêté, l'indicateur de nivellement 3 clignote (1 x par sec.). L'appareil est nivelé lorsque le faisceau laser est allumé et que l'indicateur de nivellement 3 ne clignote plus. L'indicateur de nivellement est allumé en permanence pendant 5 min., ensuite, son clignotement (1x toutes les 4 sec.) indique que le laser fonctionne en mode automatique.

Lorsque l'appareil est incliné de plus de 8% (plage de nivellement automatique), le laser et les indicateurs de nivellement clignotent toutes les secondes. L'appareil doit alors être réajusté.

Nivellement automatique, sécurité de marche

Après la mise en route, l'appareil égalise automatiquement les irrégularités dans sa plage de nivellement automatique de 8 % ($\pm 0,8$ m/10 m) env., le rotor étant encore à l'arrêt.

Après le nivellement, le laser surveille son niveau. La sécurité de marche est activée, 5 min. env. après le nivellement lorsque le laser fonctionne avec 600 Tours/min en mode horizontal.

En cas de changement de position supérieurs à 30 mm / 10 m, ce dérangement déclenche l'alerte pour éviter que des basculements plus importants donnent lieu à des erreurs de hauteur. A ce moment, le rotor s'arrête, le faisceau laser s'arrête, la diode LED manuelle/d'alerte 4 clignote (2x par sec.). Arrêter l'appareil et le remettre en circuit, puis contrôler la hauteur initiale ou l'ajuster de nouveau.

Mode manuel/mode de nivellement sur un axe

La télécommande ou la combinaison récepteur/télécommande permet de faire passer l'appareil du mode de nivellement automatique au mode manuel (2) en appuyant une fois brièvement sur la touche « manuel », ce qui est signalé par le clignotement de la diode LED rouge 4 toutes les secondes. Dans ce mode de fonctionnement, il est possible d'incliner l'axe Y en actionnant les touches à flèche « vers le haut/bas » sur l'appareil ou la télécommande. De même pour l'axe X du laser qui peut être incliné en actionnant les touches à flèche « vers la droite/gauche » sur la télécommande.

En pressant brièvement une seconde fois sur la touche « manuel » lors de la réalisation horizontale, l'appareil passe en mode d'inclinaison sur un seul axe, ce qui est signalisé par le clignotement simultané des diodes LED verte et rouge 3/4 toutes les secondes (en mode vertical, on retourne directement du mode manuel au mode de nivellement automatique). Dans ce mode de fonctionnement, l'axe Y peut être incliné à l'aide des touches à flèche „vers le haut/bas“ sur l'appareil ou la télécommande alors que l'axe X continue à travailler dans le mode horizontal automatique (p. ex. lors du montage de plafonds suspendus inclinés ou pour des rampes d'accès). Lorsque l'appareil travaille à 600 tr/min, l'alerte de marche est active ; cela signifie que le niveau de l'appareil sur l'axe X est surveillé bien que l'axe Y soit incliné.

En réappuyant brièvement sur la touche « manuel », l'appareil retourne au mode de nivellement automatique, ce qui est signalé par la diode LED verte 3.

EXEMPLES D'APPLICATIONS

Détermination de la hauteur de l'appareil (HI)

La hauteur de l'appareil (HI) est la hauteur du faisceau laser. Elle est déterminée en additionnant la lecture de la hauteur du faisceau sur la mire à une hauteur connue ou hauteur de référence. Mettez en place le laser et positionnez la mire avec le récepteur sur un point de hauteur connue ou de référence (NN).

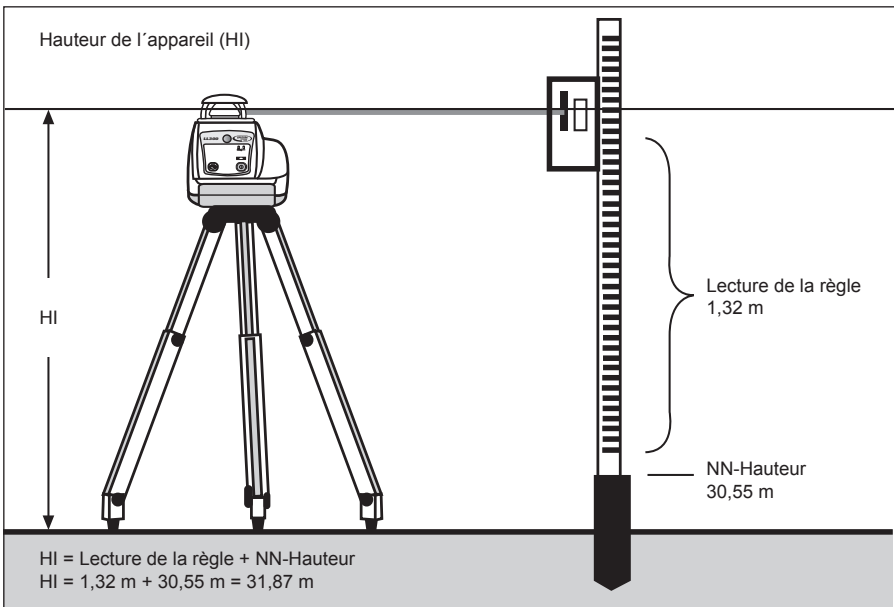
Faites glisser le récepteur le long de la mire jusqu'à la position « A niveau » du faisceau laser.

Additionnez la hauteur lue sur la mire à la hauteur de référence connue NN afin de déterminer la hauteur du laser.

Exemple :

| | | |
|-------------------------|---|---------|
| Hauteur de référence NN | = | 30,55 m |
| Lecture sur la mire | = | +1,32 m |
| Hauteur du laser | = | 31,87 m |

Utiliser la hauteur du laser comme référence pour toutes les autres mesures de hauteur.



Marquage du repère à 1 mètre

En mode horizontal, l'appareil doit être placé (par ex. sur un trépieds) de sorte que le faisceau laser se trouve à la hauteur souhaitée.

Tourner ensuite le prisme à l'endroit souhaité soit à la main soit en utilisant l'un des modes de rotation.

Lors du travail sans trépied, placer l'appareil sur une surface stable et déterminer la différence de hauteur entre le faisceau laser et le point de hauteur souhaité à l'aide d'un ruban mètre. Après avoir tourné le prisme vers l'endroit désiré, marquer la différence de hauteur mesurée.

Service vertical

Mettre le trépied à niveau. Niveller d'abord le laser en mode Horizontal.

Passer sur le mode Manuel à l'aide de la touche « Manuel » et procéder à la mise en place sur le trépied au moyen de l'emplacement fileté pour le mode vertical.

Après la mise en place verticale du laser, opérer un légère rotation du laser jusqu'à ce que le faisceau soit aligné sur la position « à niveau » du récepteur. Afin d'éviter les erreurs de décalage lors de ces travaux, il convient d'utiliser le récepteur à hauteur du laser.

Les flèches « Ascendante/Descendante » de la télécommande permettent d'effectuer un alignement précis.

PRECISION DE NIVELLEMENT

Influences de la précision

La précision de nivellement est influencée par de nombreux facteurs :

- précision donnée par l'usine,
- température de l'appareil,
- influences de l'environnement telles que pluie, vent et température.

La température ambiante exerce la plus grande influence sur la précision de mesure. Surtout les différences de température verticales (couches d'air) à proximité du sol peuvent faire dévier le faisceau laser de manière semblable aux vibrations observées au-dessus des routes asphaltées chaudes.

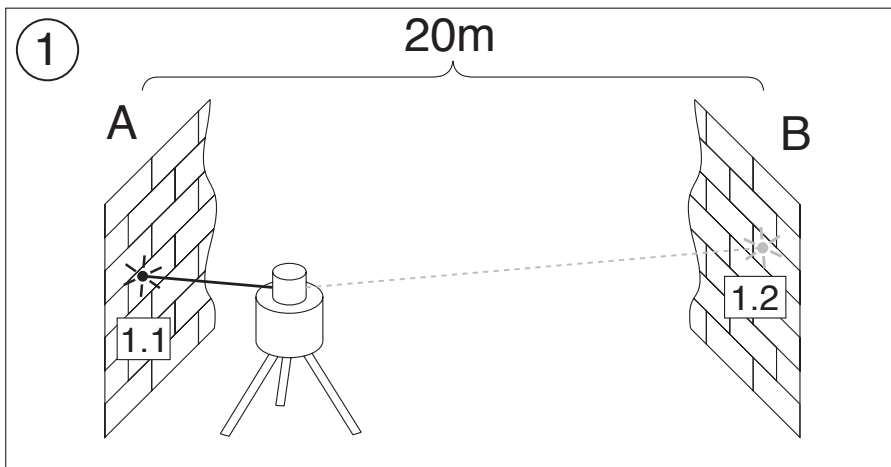


Ceci s'applique également à tous les appareils de mesure optiques tels que théodolite ou appareil de nivellement !

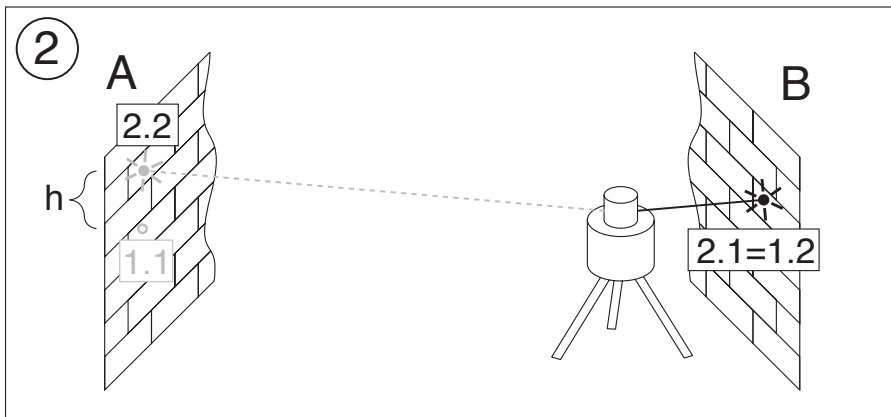
Contrôle de la précision

Pour cela, une distance libre de 20 m de longueur entre deux murs (A et B) est nécessaire sur lesquels vous effectuerez 4 mesures sur les axes X et Y en mode horizontal avec l'appareil sur trépied. .

Placez le laser horizontalement sur un support plan ou sur un trépied à proximité du mur (A) et dirigez le point laser dans le sens de l'axe X vers le mur (A). Après le nivellement de l'appareil, la hauteur (centre du faisceau) est tracée sur le mur. Tourner l'appareil ensuite de 180°, laisser le se niveler et marquer le centre du faisceau sur le mur éloigné (B).



Placez maintenant l'appareil à proximité du mur B. Dirigez le faisceau laser de l'appareil nivelé dans le sens de l'axe X vers le mur B alors à proximité de sorte que la hauteur marquée auparavant (à partir de la mesure du mur A) est réalisée. Tournez l'appareil de 180°, laissez-le se niveler et marquez le centre du faisceau sur le mur A. La différence (h) des deux points marqués indique alors l'écart effectif l'appareil.



Lorsque l'appareil est dans les limites de la précision d'usine ($\pm 1,0$ mm sur 10 m), l'écart maximal à $20m+20m=40$ m par rapport à la position zéro s'élève à 4 mm.

Ceci doit être répété de la même manière pour l'axe X négatif et pour l'axe Y positif et négatif de sorte que la hauteur est mesurée dans les 4 sens pour le même point de mur (en tournant le laser de 90°).

PROTECTION DE L'APPAREIL

Ne pas soumettre l'appareil aux températures extrêmes et aux fluctuations de température (ne pas laisser dans la voiture).

L'appareil est très robuste. Malgré tout, il faut traiter les appareils de mesure très soigneusement. Après de fortes influences extérieures, il faut toujours contrôler la précision de nivellement avant tout travail.

L'appareil peut être utilisé à l'intérieur et à l'extérieur.

NETTOYAGE ET ENTRETIEN

Les encrassements des surfaces en verre sur l'ouverture de sortie 9 influencent la qualité du faisceau et la portée de manière décisive. Nettoyage avec un coton-tige. Éviter les peluches.

Nettoyer le soufflet en caoutchouc 10 soigneusement. Essuyer les encrassements au moyen d'un chiffon doux et humide. Ne pas utiliser de produits de nettoyage et de solvants agressifs. Laisser sécher l'appareil mouillé à l'air.

PROTECTION DE L'ENVIRONNEMENT

L'appareil, les accessoires et l'emballage devraient être recyclés de façon écologique.

Ce mode d'emploi est imprimé sur du papier de recyclage sans chlore. Tous les éléments en matière plastique sont marqués pour un recyclage selon les sortes.



Les piles/accumulateurs usés ne doivent pas être jetées avec les ordures ménagères, ni jetées dans le feu ou dans l'eau, mais éliminées de façon écologique.

GARANTIE

L'appareil a une garantie de 12 mois conforme aux dispositions légales pour le matériel et les défauts de fabrication.

Nous ne pouvons être tenus responsables pour les éventuels dommages dus à l'utilisation d'un appareil non précis.



Avant de commencer le travail, il faut toujours contrôler la précision conformément au paragraphe correspondant.

La garantie prend fin dès que l'appareil est ouvert ou que les plaques signalétiques sont enlevées.

CARACTERISTIQUES TECHNIQUES

| | |
|---|--|
| Précision de mesure ^{1,3} : | < ± 18 arc seconds; < ± 2,6 mm à 30m |
| Ro-ta-tion: | 600 tr/min |
| Portée du laser ¹ : (diamètre) | 400 m |
| Type de laser : | laser à diode rouge 635 nm |
| Puissance de laser : | <5 mW, catégorie de laser 3R |
| Gamme de nivellement automatique : | typ. ± 8 % (± 4,8° env.) |
| Temps de nivellement : | typ. 30 sec. |
| Indicateur de nivellement : | LED clignote |
| Diamètre de faisceau ¹ : | 8 mm env. sur l'appareil |
| Alimentation en courant : | 4 x 1,5 V piles rondes type D (LR 20) |
| Température de service : | - 20° C ... + 50° C |
| Température de stockage : | - 20° C ... + 70 ° C |
| Emplacement trépied : | 5/8" horizontal et ver-ti-cal |
| Poids : | 2,7 kg |
| Indicateur de basse tension : | indicateur de pile clignote/est allumé |
| Arrêt de la basse tension : | l'appareil s'arrête complètement |

1) à 21° Celsius

2) dans des conditions atmosphériques optimales

3) le long des axes

Déclaration de conformité

Nous,

Trimble Kaiserslautern GmbH

déclarons sous notre responsabilité exclusive que le produit

LL300

auquel cette déclaration se rapporte est conforme aux normes suivantes :

EN 61000-4-2, 1994; EN 55022, 1994; EN 61000-4-3, 1997

conformément aux dispositions de la directive

Electromagnetic compatibility 89/336/CEE.

Kaiserslautern, 17/03/2004

Bernd Brieger
Directeur Général

| | |
|--|-----------|
| PER LA VOSTRA SICUREZZA | 26 |
| Attenzione | 26 |
| ELEMENTI DELL'APPARECCHIO | 27 |
| ALIMENTAZIONE | 27 |
| Inserimento delle batterie | 27 |
| Durata delle batterie | 27 |
| Ricarica delle batterie | 28 |
| COME UTILIZZARE LO STRUMENTO LASER | 28 |
| Montaggio laser | 28 |
| Autolivellamento e avviso di spostamento accidentale verticale | 28 |
| Utilizzo in manuale/pendenza singola | 28 |
| ESEMPI DI UTILIZZO | 29 |
| Determinazione dell'altezza dell'apparecchio (HI) | 29 |
| Selezione dell'altezza desiderata | 29 |
| Utilizzo in verticale | 29 |
| PRECISIONE | 30 |
| Influenze sulla precisione | 30 |
| Controllo della precisione | 30 |
| PROTEZIONE DELL'APPARECCHIO | 31 |
| PULIZIA E CURA | 31 |
| PROTEZIONE DELL'AMBIENTE | 31 |
| GARANZIA | 31 |
| DATI TECNICI | 32 |

PER LA VOSTRA SICUREZZA



**RADIAZIONE LASER
EVITARE L'ESPOSIZIONE
DIRETTA NEGLI OCCHI
LASER DI CLASSE 3R**

- Non eliminare le targhette di avvertimento sull'apparecchio!
- Il laser è della classe 3R (max. 5mW, 600..680 nm; DIN EN 60825-1:2001-11).
- Controllare che il raggio laser non sia di pericolo ad altre persone
- Evitare che il raggio laser venga indirizzarlo negli occhi di altre persone! Ciò è valido anche quando si è a distanza dall'apparecchio!
- Impostare l'apparecchio in modo che il raggio non sia ad altezza occhi. (attenzione anche in caso di riflesso).

Attenzione (osservare assolutamente)

- Posizionare l'apparecchio sempre al centro dell'area di lavoro
- Per distanze a partire da 20 m utilizzare il ricevitore.
- Eseguire regolarmente il controllo della precisione.
- Una base stabile è indispensabile per un utilizzo sicuro e preciso.
- Mantenere pulite le superfici delle lenti del rotore laser.

ELEMENTI DELL'APPARECCHIO

Tasti del pannello di controllo

- 1 Tasto di accensione e spegnimento
- 2 Tasto manuale

Indicatori di controllo

- 3 Indicatore di autolivellamento
- 4 Indicatore manuale e di avviso spostamento accidentale verticale
- 5 Indicatore di carica delle batterie

ELEMENTI DELL'APPARECCHIO

- 6 Telecomando a raggi infrarossi
- 7 Testa laser
- 8 Tacche per l'impostazione
- 9 Uscita del raggio
- 10 Protezione in gomma
- 11 Maniglia
- 12 Coperchio del comparto batterie
- 13 5/8x11 per attacco vite del treppiede
- 14 Piedini in gomma

ALIMENTAZIONE

Prima dell'utilizzo, utilizzando nuove batterie Ni-CAD ricaricabili, metterle sotto carica. Vedi relativo paragrafo.



Attenzione

Le batterie NiCad e NiMH possono contenere basse quantità di sostanze nocive.

Assicurarsi che le batterie vengano caricate prima della messa in funzione e dopo un periodo prolungato di fermo.

Per caricare le batterie utilizzare unicamente i dispositivi per caricarle prescritti dal produttore.

Mai aprire la batteria, smaltirla bruciandola o metterla in cortocircuito. Persiste il pericolo di lesioni a causa dell'incendio, dell'esplosione, della fuoriuscita delle sostanze nocive o del riscaldamento della batteria.

Per lo smaltimento osservare le relative prescrizioni di smaltimento.

Conservare le batterie lontane dalla portata di bambini. In caso siano state ingoiate far vomitare il bambino. Consultare immediatamente un medico.

Inserimento delle batterie.

Togliere il coperchio del vano batterie ruotando la chiusura centrale di 90°. Inserire le batterie in modo che il contatto negativo si trovi sulle molle a spira. Inserire il coperchio e chiuderlo con la chiusura centrale.



In caso di utilizzo di batterie alcaline viene inibito la ricarica mediante una sicurezza meccanica. Soltanto il gruppo di batterie ricaricabili originali può essere ricaricato nell'apparecchio. Altre batterie ricaricabili non originali devono essere ricaricate esternamente

Durata di funzionamento

Utilizzando batterie alcaline (AlMn) (misura LR 16) la durata è di ca. 90 h in funzionamento di rotazione.

Gli accumulatori NiCad permettono un funzionamento di ca. 45 h in funzionamento di rotazione.

I seguenti fattori diminuiscono la durata delle batterie:

- Auto livellamento continuo causato da forte vento o in presenza di vibrazioni continue
- Temperature estreme;
- Batterie vecchie; Una ricarica frequente delle batterie non completamente scariche (effetto memoria)
- Utilizzo di batterie con diverso livello di carica.



Sostituire le batterie sempre tutte insieme. Mai utilizzare batterie di diverse capacità, se possibile inserire batterie nuove. Possibilmente dello stesso produttore.

Il display batteria 5 avverte della ricarica/sostituzione delle batterie, inizialmente mediante un lento lampeggiamento. Se le batterie si scaricano ulteriormente il LED si accende fisso, prima che l'apparecchio si spenga completamente.

Ricarica delle batterie

L'apparecchio per caricare le batterie necessita di ca. 10 ore per una ricarica completa. Inserire la spina del caricatore per caricare le batterie nella presa dell'apparecchio. Batterie nuove o no, utilizzate per un periodo prolungato raggiungono la loro piena potenza soltanto dopo cinque cicli di ricarica/scarica.



Gli accumulatori vanno caricati soltanto quando la temperatura dell'apparecchio è tra 10°C e 40°C. Caricare gli accumulatori a temperature più elevate potrebbe danneggiarli. Se vengono caricati a temperature più basse, viene aumentato il tempo di ricarica, il che comporta minore potenza ed una ridotta durata delle batterie stesse.

MESSA IN FUNZIONE

Montaggio laser

Posizionare l'apparecchio in maniera orizzontale o verticale sul treppiede o sulla staffa a muro all'altezza desiderata. L'apparecchio riconosce automaticamente il funzionamento orizzontale o verticale, secondo la posizione dello stesso al momento dell'accensione.

Premendo il tasto acceso-spento l'apparecchio si accende e tutti i display a LED 3, 4, 5 si accendono per 3 secondi. Il livellamento inizia immediatamente. Per spegnere premere nuovamente il tasto. Durante il processo di livellamento il rotore è fermo e il display di livellamento 3 lampeggia (1 volta al secondo.). L'apparecchio è livellato quando il raggio laser è acceso e quando il display di livellamento 3 non lampeggia più. Il display di livellamento lampeggia per 5 minuti fisso quindi visualizza mediante un ulteriore lampeggiamento (1 volta ogni 4 sec.) che il laser lavora in funzionamento automatico.

Se l'apparecchio è posizionato oltre il campo di autolivellamento ($\pm 8\%$) il laser e il led di livellamento lampeggiano una volta al secondo. L'apparecchio va quindi nuovamente livellato entro il campo di autolivellamento.

Autolivellamento, indicatore di spostamento accidentale verticale

Dopo l'accensione lo strumento si autolivella automaticamente.

Dopo il livellamento il laser controlla la posizione. La funzione spostamento accidentale viene attivata 5' dopo ogni primo livellamento e quando il laser lavora in funzionamento orizzontale con 600 rotazioni al minuto (rpm)

Quando la posizione dell'altezza viene modificata (spostamento accidentale) $> 30 \text{ mm} / 10 \text{ m}$ fa scattare la cosiddetta sicurezza spostamento accidentale evitando errori di lettura. Il rotore si ferma, il raggio laser si spegne e il LED (HI) 4 lampeggia (2 volte al sec.). Spegnere e riaccendere l'apparecchio, controllare l'altezza originariamente impostata, correggere se necessario e proseguire nel lavoro.

Funzionamento manuale/Pendenza singola

Con l'aiuto del telecomando l'apparecchio può essere commutato dal funzionamento di autolivellamento al funzionamento manuale premendo una volta brevemente il tasto manuale (2) il che viene visualizzato mediante lampeggiamento del LED rosso 4 che lampeggia una volta al secondo. In questa modalità di funzionamento l'asse Y, premendo i tasti freccia „su/giù“ sull'apparecchio o sul telecomando e aggiuntivamente l'asse X del laser mediante i tasti freccia „destra/sinistra“ sul telecomando, può essere inclinato.

Premendo nuovamente il tasto manuale durante l'impostazione orizzontale l'apparecchio va in funzionamento con inclinazione, il che viene segnalato mediante lampeggiamento contemporaneo del LED verde e rosso 3/4 lampeggiando una volta al secondo (in modalità verticale si commuta direttamente indietro da manuale al funzionamento di autolivellamento. In questa modalità di funzionamento l'asse Y può venir inclinato con l'aiuto dei tasti freccia „su/giù“ sull'apparecchio o sul telecomando, mentre l'asse X lavora sempre in funzionamento automatico orizzontale (p.e. per la costruzione di soffitti o scivoli per autovetture in pendenza). Se l'apparecchio ruota a 600 rpm, anche la sicurezza spostamenti accidentali in verticale è attiva.

Premendo il tasto manuale nuovamente, si reimposta lo strumento di nuovo in funzionamento automatico di autolivellamento, che viene visualizzato dal LED verde 3.

ESEMPI OPERATIVI

Determinazione dell'altezza dell'apparecchio (HI)

Determinazione dell'altezza dell'apparecchio (HI)

L'altezza dell'apparecchio (HI) è l'altezza del raggio laser. La si ottiene sommando la lettura alla stadia alla lettura di un caposaldo conosciuto.

Dopo aver montato il laser, posizionare il ricevitore sulla parte superiore della stadia al punto zero. Portare la stadia sopra il caposaldo o punto di riferimento conosciuto (NN).

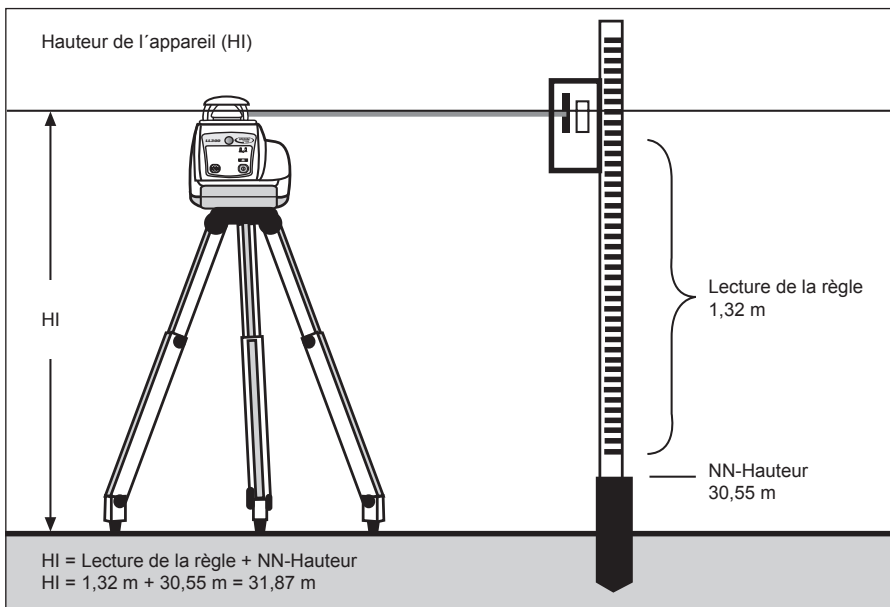
Svitare il vitone della stadia situato nella parte inferiore. Fare scorrere su o giù la parte superiore della stadia fino ad incontrare la posizione a livello con il raggio laser. Trovato il livello, bloccare il vitone della stadia.

Addizionare la lettura posta nella parte inferiore della stadia a quella del caposaldo conosciuto (NN) per individuare l'altezza del laser.

Esempio:

| | | |
|---------------------|---|---------|
| Altezza NN | = | 30,55 m |
| Letture alla stadia | = | +1,32 m |
| Altezza laser | = | 31,87 m |

Utilizzare l'altezza laser come riferimento per tutte le altre misurazioni di altezza.



Battitura delle quota desiderata, (per esempio il metro d'altezza).

Posizionare l'apparecchio in funzionamento orizzontale sul treppiede con base di elevazione o sulla staffa a muro. Posizionare il ricevitore sull'altezza di riferimento facendogli coincidere la tacca di lettura del ricevitore. Abbassare o alzare lo strumento laser mediante la base di elevazione del treppiede o la staffa a muro fino a quando nel ricevitore non comparirà la posizione di livello.

Quando si lavora senza treppiede o staffa a muro, posizionare l'apparecchio su una base stabile e rilevare la differenza tra il raggio laser ed il punto di riferimento. Il dislivello fra le due letture dovrà essere sempre considerato nelle prossime battute.

Funzione allineamento verticale

Posizionare il laser sul treppiede in orizzontale e farlo autolivellare. Premere il tasto funzione manuale e riposizionare il laser sul treppiede in posizione verticale.

Far ruotare il raggio laser fino a quando il ricevitore non darà il segnale di livello.

Per evitare errori di offset durante questo tipo di lavoro il ricevitore va utilizzato vicino al laser.

Utilizzando il telecomando, con i tasti freccia „su/giù“ sul telecomando è possibile eseguire correzioni micrometriche.

Precisione delle letture

Influenze sulla precisione

La possibile precisione di livellamento viene influenzata da molti fattori:

- Precisione produttiva;
- Temperatura operativa dello strumento;
- Influenze dell'ambiente come pioggia, vento e temperatura.

La maggiore influenza sulla precisione è causata dalla temperatura ambientale. In particolare le onde di calore sulla superficie stradale muovono il raggio laser, simile al tremolio visibile sulle strade asfaltate nelle calde giornate d'estate.



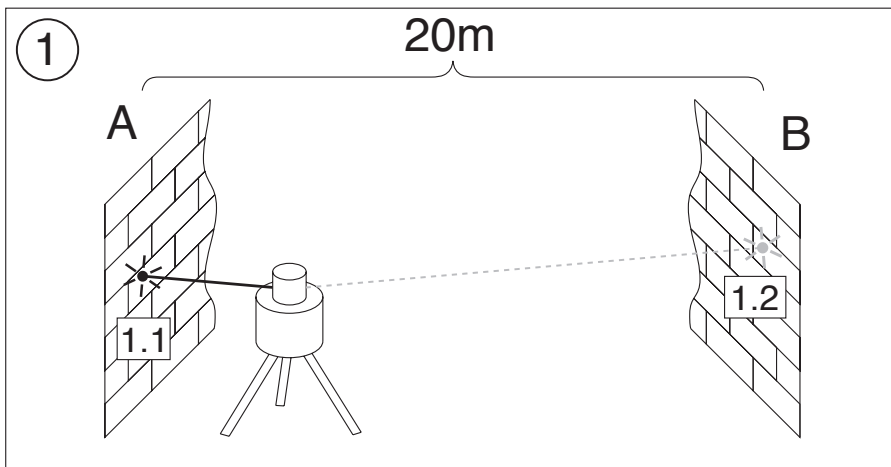
Ciò è valido anche per tutti gli strumenti ottici come i livelli o i teodoliti.

Controllo della precisione

Per fare ciò si necessita di una distanza di almeno 20 m tra due mura (A e B).

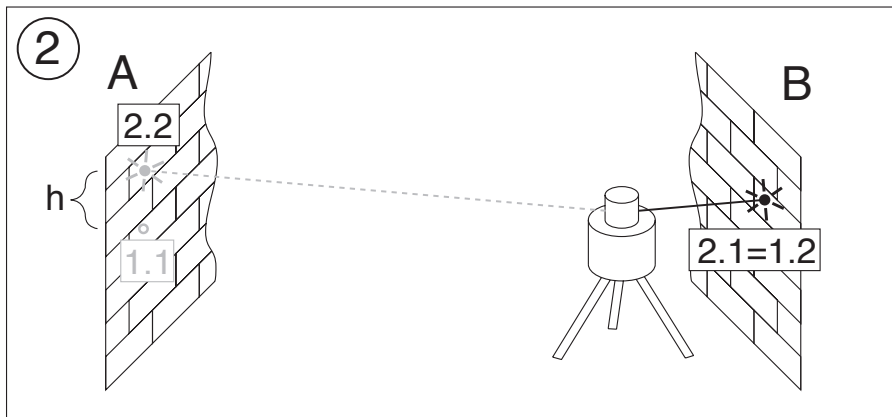
Piazzare il laser in maniera orizzontale su una superficie piana o su di un treppiede livellato in vicinanza di un muro (A) e indirizzare il raggio laser in direzione dell'asse X al muro vicino (A). Dopo il livellamento viene rilevata l'altezza (centro del raggio) (mediante ricevitore) sul muro. Quindi ruotare l'apparecchio di 180°, far livellare e segnare il centro del raggio sul muro distante (B).

Quindi piazzare l'apparecchio in vicinanza del muro B. Indirizzare il raggio laser dell'apparecchio livellato in direzione asse X in direzione del muro vicino B in modo che sia realizzata esattamente l'altezza contrassegnata prima (con la misurazione dal muro A). Quindi ruotare l'apparecchio di 180°, far livellare e marcare il centro del



raggio sul muro distante A. La differenza (h) dei due punti contrassegnati da l'esatto errore dello strumento.

Se l'apparecchio è al limite della precisione indicata ($\pm 1,0$ mm su 10 m) con $20 + 20 = 40$ m la divergenza massima dalla posizione zero è di 4 mm.



Ripetere ciò allo stesso modo per l'asse negativo X e per l'asse positivo e negativo Y in modo che la precisione è stata misurata in tutte e 4 le direzioni sullo stesso punto del muro.

Ceci doit être répété de la même manière pour l'axe X négatif et pour l'axe Y positif et négatif de sorte que la hauteur est mesurée dans les 4 sens pour le même point de mur (en tournant le laser de 90°).

PROTEZIONE DELL'APPARECCHIO

Non esporre l'apparecchio a temperature estreme e a cambi di temperature estreme (non lasciarlo nell'autovettura).

L'apparecchio è molto robusto. Nonostante ciò gli apparecchi di misurazione vanno trattati con la relativa cura. Dopo influenze esterne più forti va controllata sempre la precisione del livellamento.

L'apparecchio può essere utilizzato sia all'interno che all'esterno.

PULIZIA E CURA

Sporco sulle superfici di vetro nell'apertura di fuoriuscita 9 influenzano fortemente la qualità del raggio e il raggio d'azione. Pulire con cottonfioc. Prestare attenzione a non lasciare peli o aloni sul vetro di protezione.

Mantenere particolarmente pulito il mantice in gomma 10. Ripulire lo sporco con un panno umido e morbido. Non utilizzare detersivi forti o solventi. Lasciare asciugare l'apparecchio bagnato all'aria.

PROTEZIONE DELL'AMBIENTE

L'apparecchio, gli accessori e l'imballo vanno smaltiti in maniera compatibile con l'ambiente.

Queste istruzioni per l'uso sono state prodotte con carta riciclata sbiancata senza cloro. Tutti i pezzi in plastica sono adatti al riciclaggio della materia pura.



Non buttare le batterie consumate nelle immondizie, nel fuoco o nell'acqua, bensì smaltirli rispettando le norme ambientali.

GARANZIA

Questo apparecchio, secondo le disposizioni di legge, ha una garanzia di 12 mesi sul materiale e su difetti di produzione.

Per danni che provengono dall'utilizzo di un apparecchio fuori calibrazione non viene assunta alcuna responsabilità.



Prima dell'inizio del lavoro eseguire sempre il controllo della precisione secondo il relativo paragrafo.

La garanzia perde efficacia se l'apparecchio viene aperto o se vengono rimosse le targhette.

DATI TECNICI

| | |
|---------------------------------|--|
| Precisione 1,3: | $\leq \pm 18$ arc seconds; $\leq \pm 2,6$ mm/30m |
| Rotazione: | 600 rpm. |
| Portata: (diametro) | 400 m |
| Tipo di laser: | laser a diodi rosso 635-670 nm |
| Potenza del laser: | < 5 mW, classe del laser 3R |
| Campo di autolivellamento: | tipo. ± 8 % (ca. $\pm 4,8^\circ$) |
| Tempo per il livellamento: | tipo. 30 sec. |
| Display del livellamento: | LED lampeggia |
| Diametro raggio 1: | ca. 8 mm sull'apparecchio |
| Alimentazione: | 4 X 1,5 V batterie mono del tipo d (LR 20) |
| Temperatura di funzionamento: | - 20° C ... + 50° C |
| Temperatura di stoccaggio: | - 20° C ... + 70 ° C |
| Misure d'attacco al treppiede: | 5/8" orizzontale e verticale |
| Peso: | 2,7 kg |
| Display di bassa tensione: | il display della batteria lampeggia/è acceso |
| Spegnimento con bassa tensione: | l'apparecchio si spegne completamente |

- 1) a 21° C
- 2) in caso di condizioni atmosferiche ottimali
- 3) lungo gli assi

Dichiarazione di conformità

Noi

Trimble Kaiserslautern GmbH

dichiariamo sotto nostra responsabilità che il prodotto

LL300

al quale si riferisce questa dichiarazione, è conforme alle seguenti norme

EN 61000-4-2, 1995; EN 55011, 1998; EN 61000-4-3, 2002

è conforme alle prescrizioni della norma

Electromagnetic compatibility (compatibilità elettromagnetica) 89/336/EEC.

Kaiserslautern, 17.03.2004

Bernd Brieger
Amministratore delegato

| | |
|--|----|
| PARA SU SEGURIDAD | 33 |
| A tener en cuenta obligatoriamente | 33 |
| ELEMENTOS DEL APARATO | 34 |
| ALIMENTACIÓN DE CORRIENTE | 34 |
| Colocar pilas/pilas recargables | 34 |
| Duración de funcionamiento | 34 |
| Cargar pilas recargables | 35 |
| PUESTA EN MARCHA | 35 |
| Instalación del láser | 35 |
| Sistema automático de nivelación y aviso de cambio de altura | 35 |
| Modo manual/Modo de inclinación de un eje | 35 |
| EJEMPLOS DE TRABAJO | 36 |
| Determinación de la altura del aparato (AA) | 36 |
| Transferir la fisura métrica/el punto de altura | 36 |
| Modo vertical | 37 |
| PRECISIÓN DE NIVELACIÓN | 37 |
| Influencias en la precisión | 37 |
| Comprobación de la precisión | 37 |
| PROTECCIÓN DEL APARATO | 38 |
| LIMPIEZA Y CUIDADO | 38 |
| PROTECCIÓN DEL MEDIO AMBIENTE | 38 |
| GARANTÍA | 39 |
| DATOS TÉCNICOS | 39 |

PARA SU SEGURIDAD



**RAYOS LÁSER
EVITAR EXPONER
DIRECTAMENTE AL OJO
LÁSER CLASE 3R**

- No retire las señales de advertencia del aparato.
- El láser está clasificado bajo la categoría 3R (máx. 5mW, 600..680 nm; DIN EN 60825-1:2001-11).
- Debido al rayo en haz, deberá tenerse en cuenta y proteger el recorrido del rayo a una distancia relativamente amplia.
- No mire **nunca** directamente al rayo láser, ni lo dirija a los ojos de otras personas. Tampoco lo haga aunque se encuentren a gran distancia del aparato.
- El aparato deberá colocarse siempre de modo que los rayos **no** sean proyectados a las personas a la altura de los ojos (tenga cuidado en escaleras y en caso de haber reflexiones).

A tener en cuenta obligatoriamente

- Coloque el aparato en el centro del campo de trabajo
- Para las distancias superiores a 20 m, colóquelo sobre un trípode siempre que sea posible
- Realice comprobaciones de la precisión con regularidad
- Una buena estabilidad es la base para un manejo seguro
- Mantenga limpias las superficies de cristal del aparato y el prisma de desviación

ELEMENTOS DEL APARATO

Teclas de manejo

- 1 Interruptor on/off
- 2 Botón manual

Indicadores de control

- 3 Indicador de funcionamiento/nivelación
- 4 Indicador manual/de advertencia
- 5 Indicador de estado de las pilas

Elementos del aparato

- 6 Receptor de infrarrojos para control remoto
- 7 Cabeza del láser
- 8 Guías de alineación axial
- 9 Salida de rayo
- 10 Fuelle de goma movable
- 11 Asa de transporte
- 12 Tapa del compartimento de pilas
- 13 Tuercas del pie
- 14 Pies de goma

ALIMENTACIÓN DE CORRIENTE

Antes de poner el aparato en marcha por vez primera, en caso de que no lo hayan hecho en fábrica, deberán introducirse las pilas o pilas recargables. En caso de que utilice pilas recargables, éstas deberán cargarse previamente. Al respecto, véase el apartado correspondiente.



Las baterías de NiCd y NiMH pueden contener pequeñas cantidades de sustancias nocivas.

Asegúrese de que se carguen las baterías antes de la primera puesta en servicio y después de inactividad prolongada.

Para la carga, emplee sólo los cargadores provistos de acuerdo con las indicaciones del fabricante.

La batería no debe abrirse, ni eliminarse por incineración o cortocircuitarse. En estas operaciones hay riesgos de lesiones por combustión, explosión, vertido o calentamiento de la batería.

Cumpla con las normas aplicables en el país en materia de eliminación de residuos.

Mantenga las baterías fuera del alcance de los niños. En caso de ingestión, no provoque el vómito.

Acuda inmediatamente a un médico.

Colocar pilas/pilas recargables

Retire la tapa del compartimento de pilas girando el cierre central en 90°. Coloque las pilas/pilas recargables de forma que el polo negativo esté colocado en el lado del muelle helicoidal. Coloque la tapa y fíjela con el cierre central.



Si utiliza pilas alcalinas, no podrá recargarlas por un dispositivo de seguridad mecánico. En el aparato, sólo podrá recargarse el set de pilas recargables original. Las demás pilas recargables deberán cargarse con un cargador externo.

Duración de funcionamiento

Si utiliza pilas alcalinas (AlMn) (monocelulares redondas LR 16), la duración individual de las mismas será de unas 90 h. en el modo de funcionamiento de rotación.

Las pilas recargables NiCd tienen una duración de aprox. 45 h. en el modo de funcionamiento de rotación.

Los siguientes factores reducen la duración de funcionamiento:

- Reajustar a menudo la situación (viento, sacudidas);
- Temperaturas externas;
- Pilas recargables viejas; recargar a menudo pilas prácticamente llenas (efecto memoria).
- Utilizar pilas con estados de carga diferentes.



Cambie siempre todas las pilas/pilas recargables. No utilice nunca pilas/pilas recargables con capacidades diferentes: si es posible, utilice siempre pilas/pilas recargables nuevas/recién cargadas de un fabricante.

El indicador del estado de las pilas 5 muestra que es necesario recargar o cambiar las pilas/pilas recargables, al principio parpadeando lentamente. Si las pilas/pilas recargables siguen descargándose, el LED se iluminará constantemente antes de que el aparato se apague completamente.

Cargar pilas recargables

El cargador de conexión a red necesita unas 10 horas para cargar pilas vacías. Para ello, meta el enchufe del cargador en la caja de carga del aparato. Las pilas recargables nuevas o las que no han sido utilizadas durante mucho tiempo rendirán al 100% tras haber realizado cinco ciclos de carga y descarga.



Las pilas recargables sólo deberán cargarse cuando la temperatura del aparato oscile entre 10°C y 40°C. Cargarlas a una temperatura más alta podría dañar las pilas recargables. Cargar las pilas a temperaturas inferiores a las indicadas equivale a una mayor duración de la carga y a una reducción de la capacidad, lo que provoca un rendimiento inferior y una vida útil más corta de las pilas recargables.

PUESTA EN MARCHA

Ponga el aparato en posición horizontal o vertical a la altura deseada sobre una base estable, o fíjelo a un trípode o a un soporte para pared mediante la tuerca del pie. Al encenderlo, el aparato reconoce automáticamente el modo de funcionamiento horizontal o vertical, dependiendo de su colocación.

Pulse el interruptor on/off 1: el aparato se encenderá y los indicadores LED 3, 4, 5 se iluminarán durante 3 segundos. Entonces, la nivelación comenzará inmediatamente. Para apagar el aparato, vuelva a pulsar el interruptor. Durante el proceso de nivelación, el rotor estará parado, y el indicador de nivelación 3 se iluminará intermitentemente (1 vez por segundo). El aparato estará nivelado cuando el rayo láser se ilumine y el indicador de nivelación 3 ya no parpadee. El indicador de nivelación se ilumina de forma constante durante 5 minutos, y entonces volverá a parpadear (1 vez cada 4 segundos), lo que indica que el láser trabaja en el modo automático.

Si el aparato tiene una inclinación superior a un 8% (margen de autonivelación), el láser y el indicador de nivelación se iluminarán intermitentemente cada segundo. En ese caso, el aparato deberá volver a colocarse correctamente.

Sistema automático de nivelación, aviso de cambio de altura

Al encender el aparato, éste compensa automáticamente las desigualdades en su campo de autonivelación de aprox. un 8% ($\pm 0,8$ m/10 m), y el rotor está aún parado.

Tras la nivelación, el láser controla la situación. Tras la primera nivelación, el sistema de aviso de cambio de altura se activará aprox. 5 minutos después de la misma, cuando el láser trabaja en el modo horizontal a 600 r.p.m.

En caso de producirse un cambio de la situación de > 30 mm / 10 m, esta interferencia hace saltar el aviso de cambio de altura, para así evitar que unos ladeos mayores provoquen errores de altura. Entonces, el rotor se parará, el láser se apaga, y el LED manual/de advertencia de (AA) 4 se iluminará intermitentemente (2 veces por segundo). Apague el aparato y vuelva a encenderlo, y entonces compruebe la altura inicial o vuelva a ajustarla.

Modo manual/Modo de inclinación de un eje

Con el mando a distancia o la combinación de mando a distancia del receptor, pulsando brevemente la tecla manual en el láser (2) una sola vez, el aparato pasará del modo de funcionamiento de autonivelación automática al modo de funcionamiento manual, lo que se señalará mediante el parpadeo del LED rojo 4 cada segundo. En este modo de funcionamiento, el eje Y podrá inclinarse pulsando las teclas de flecha "Arriba/Abajo" del aparato o del mando a distancia, y también el eje X pulsando las teclas de flecha "A la derecha/A la izquierda" del mando a distancia.

Pulsando de nuevo brevemente la tecla manual en el montaje horizontal, el aparato pasará al funcionamiento de inclinación de un eje, lo que se señalará mediante un parpadeo simultáneo de los LED rojo y verde 3/4 cada segundo (en la colocación vertical, se pasará directamente del modo manual al funcionamiento de

autonivelación). En este modo de funcionamiento, el eje Y puede inclinarse con las teclas de flecha "Arriba/ Abajo" del aparato o del mando a distancia, mientras que el eje X continúa trabajando en el modo horizontal (por ejemplo, al montar techos inclinados y colgados o rampas). Si el aparato funciona a una velocidad de 600 r.p.m., el sistema de aviso de cambio de altura también estará activado, por lo que la composición del aparato seguirá estando controlada a pesar de que el eje Y se incline manualmente.

Volviendo a pulsar brevemente la tecla manual, el aparato volverá a pasar al modo de funcionamiento de autonivelación, lo que se indicará mediante el LED verde 3.

EJEMPLOS DE TRABAJO

Determinación de la altura del aparato (AA)

La altura del aparato (AA) es la altura del rayo láser. Se calcula añadiendo la lectura de la regla graduada a una marca de altura a una altura conocida.

Instalación del láser y posicionamiento de la regla graduada con el receptor sobre una estaca de altura o referencia conocida (NN).

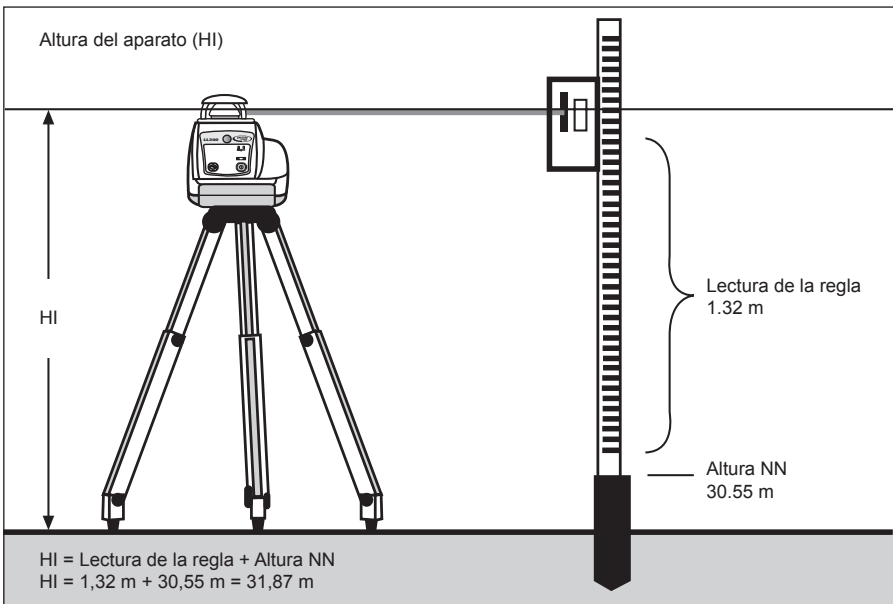
Alinear el receptor a la posición "A altura" del rayo láser.

Sumar la lectura de la regla graduada a la altura conocida NN para calcular la altura del láser.

Ejemplo:

| | | |
|---------------------|---|----------|
| Altura NN | = | 30,55 m |
| Lectura de la regla | = | + 1,32 m |
| Altura del láser | = | 31,87 m |

Emplear la altura del láser como referencia para todas las otras mediciones de altura.



Transferir la fisura métrica/el punto de altura

Coloque el aparato en el modo de funcionamiento horizontal (por ejemplo, con un pie de manivela), de modo que el rayo láser se encuentre a la altura deseada.

Entonces, gire el prisma bien manualmente al lugar meta deseado o utilice uno de los modos de funcionamiento de rotación.

Para trabajar sin trípode, coloque el aparato sobre una base estable y mida la diferencia de altura entre el rayo láser y la altura deseada con ayuda de un metro. Tras girar el prisma hacia el lugar meta, apunte la diferencia de altura medida con anterioridad.

Modo vertical

Hacer primero nivelar el láser sobre un pie a nivel en modo horizontal.

Con el botón manual, pasar a modo manual y, con ayuda del alojamiento roscado vertical, montar sobre el pie.

Una vez montado verticalmente el láser, girándolo se puede alinear el plano vertical del rayo del láser con el centro del receptor.

Para evitar errores de offset en estas operaciones, se debería colocar el receptor más o menos a la altura del láser.

Con los botones de „Arriba/Abajo“ del telemando se puede realizar el ajuste fino de alineación.

PRECISIÓN DE NIVELACIÓN

Influencias en la precisión

La precisión de nivelación posible depende de numerosos factores:

- La precisión de fábrica;
- La temperatura del aparato;
- Las influencias del entorno, como la lluvia, el viento y la temperatura.

La temperatura del entorno es el factor que ejerce una mayor influencia en la precisión de medición. Especialmente las diferencias de temperatura verticales (las capas de aire) cercanas al suelo desvían el rayo láser, como ocurre con el centelleo de la luz en las carreteras asfaltadas.

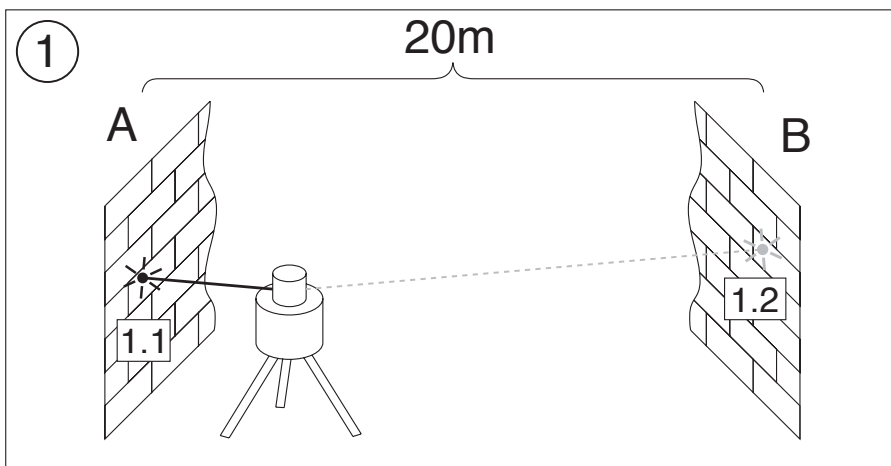


Esto también ocurre en todos los aparatos ópticos de medición, como el teodolito o el aparato de nivelación.

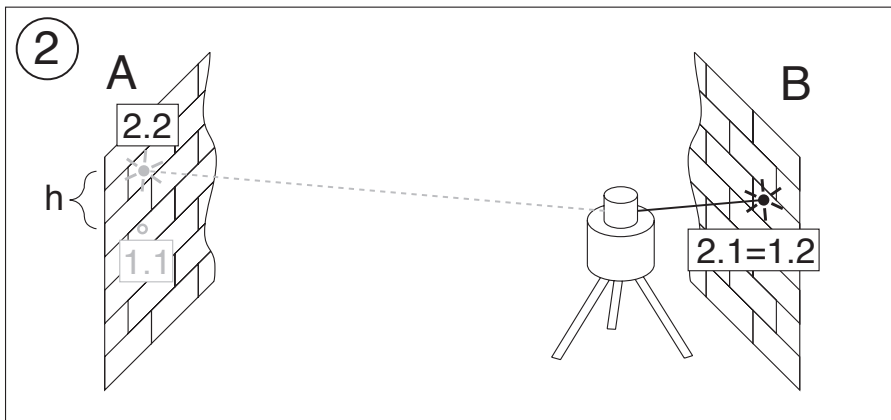
Comprobación de la precisión

Para comprobar la precisión, se necesita un espacio de 20 m de longitud entre dos paredes (A y B) y se realiza una medición de la envoltura sobre ambos ejes, X e Y, en el modo de funcionamiento horizontal (4 mediciones).

Coloque el láser en posición horizontal sobre una base plana o un trípode nivelado cerca de una de las paredes (A) y dirija el punto de láser hacia la pared cercana (A) en el sentido del eje X. Una vez realizada la nivelación, fije la altura (mediante el receptor) en la pared. Entonces, gire el aparato en 180°, nivélelo y marque el centro del rayo en la pared más lejana (B).



Entonces, coloque el aparato cerca de la pared B. Dirija el rayo láser del aparato nivelado en el sentido del eje X hacia la pared que ahora más cercana B, de modo que la altura marcada antes (de la medición de la pared A) se realice. Gire el aparato en 180°, nivélelo y marque el centro del rayo en la pared A. La diferencia (h) de ambos puntos marcados da el resultado de la desviación real del aparato.



Si el aparato está en el límite de la precisión de fábrica ($\pm 1,0$ mm a 10 m), en $20 + 20 = 40$ m, la divergencia máxima de la posición cero será de 4 mm.

Repita este proceso para el lado negativo del eje X y para los lados positivo y negativo del eje Y, de modo que la altura se mida desde los 4 sentidos en el mismo punto de pared.

PROTECCIÓN DEL APARATO

No exponga el aparato a temperaturas extremas ni a oscilaciones de temperatura (no lo deje en el coche).

Aunque el aparato es muy resistente, deberá tratar los aparatos de medición con mucho cuidado. Si se producen efectos externos considerables, compruebe siempre la precisión de nivelación antes de continuar trabajando con el aparato.

El aparato puede utilizarse tanto en exteriores como en interiores.

LIMPIEZA Y CUIDADO

La suciedad de las superficies de cristal en la abertura de salida 9 influye la calidad de radiación y el alcance de forma decisiva. Limpiar con algodón. Asegúrese de que no hay restos de pelusa.

Mantenga el fuelle de goma 10 especialmente limpio. Retire la suciedad con un paño suave húmedo. No utilice detergentes ni diluyentes agresivos. Deje secar al aire el aparato húmedo.

PROTECCIÓN DEL MEDIO AMBIENTE

Deberá desechar el aparato, los accesorios y el embalaje de forma que se reciclen de forma ecológica.

Las presentes instrucciones están impresas sobre papel reciclado sin cloro. Todas las piezas de plástico llevan un distintivo de reciclaje de materia pura.



Las pilas/pilas recargables usadas no deberán tirarse a la basura doméstica, al fuego o agua, sino ser desechadas de forma ecológica.

GARANTÍA

El aparato goza de una garantía de material y fabricación de 12 meses, tal y como prescriben las normativas legales.

No asumimos ningún tipo de responsabilidad por los daños que puedan provocarse por un aparato no ajustado.



Antes de comenzar a trabajar, deberá realizarse una comprobación de precisión siguiendo las instrucciones del apartado que lleva este mismo título.

La garantía perderá su vigencia si se abre el aparato o si se retiran las placas indicadoras de tipo.

DATOS TÉCNICOS

| | |
|--|--|
| Precisión de medición ^{1,3} : | < ± 18 arc seconds, < ± 2,6 mm/30m |
| Rotación: | 600 ¹ /min |
| Rango de trabajo ¹ : (diámetro) | 400 m |
| Tipo de láser: | láser rojo de diodos 635 nm |
| Potencia del láser: | <5 mW, clase de láser 3R |
| Margen de autonivelación: | tipo ± 8 % (aprox. ± 4,8°) |
| Tiempo de nivelación: | tipo 30 seg. |
| Indicador de nivelación: | LED parpadea |
| Diámetro de rayo ¹ : | aprox. 8 mm en el aparato |
| Alimentación de corriente: | 4 x pilas monocelulares 1,5 V Tipo D (LR 20) |
| Temperatura de funcionamiento: | - 20° C ... + 50° C |
| Temperatura de almacenamiento: | - 20° C ... +70 ° C |
| Tuercas del pie: | 5/8" horizontal y vertical |
| Peso: | 2,7 kg |
| Indicación de baja carga: | el indicador del estado de pilas parpadea/se ilumina |
| Desconexión de baja carga: | el aparato se apaga completamente |

1) a 21° Celsius

2) bajo condiciones atmosféricas óptimas

3) siguiendo los ejes

DECLARACIÓN DE CONFORMIDAD

Nosotros

Trimble Kaiserslautern GmbH

declaramos, asumiendo toda la responsabilidad, que el producto

LL300

al que se refiere la presente declaración, cumple con las siguientes normas

EN 61000-4-2, 1995; EN 55011, 1998; EN 61000-4-3, 2002

siguiendo las disposiciones de la Directiva

Compatibilidad electromagnética 89/336/CEE.

Kaiserslautern (Alemania) a 17.03.2004

Bernd Brieger
Gerente

| | |
|---|----|
| VOOR UW VEILIGHEID | 40 |
| Beslist in acht nemen | 40 |
| ONDERDELEN | 41 |
| STROOMVOORZIENING | 41 |
| Batterijen / accu's gebruiken | 41 |
| Levensduur | 41 |
| Accu's opladen | 42 |
| INBEDRIJFSTELLING | 42 |
| Opbouw v.d. laser | 42 |
| Waterpasautomaat en slijpbeveiliging | 42 |
| Handmatig instellen / ééna's-hellingmodus | 42 |
| WERKVOORBEELDEN | 43 |
| Bepaling hoogte apparaat (HI) | 43 |
| Meterpeil / hoogtepunt overbrengen | 43 |
| Verticale modus | 44 |
| WATERPASNAUWKEURIGHEID | 44 |
| Nauwkeurighedsinvloeden | 44 |
| Nauwkeurighedscontrole | 44 |
| APPARAATBEVEILIGING | 45 |
| REINIGING EN ONDERHOUD | 45 |
| MILIEUBESCHERMING | 45 |
| GARANTIE | 45 |
| TECHNISCHE GEGEVEENS | 46 |

VOOR UW VEILIGHEID



**LASER STRALING
VERMIJD BLOOTSTELLING AAN
HET ONBESCHERMDE OOG
KLASSE 3R LASERPRODUCT**

- De waarschuwingsbordjes op het apparaat niet verwijderen!
- Dit product komt overeen met de laserklasse 3R (max. 5mW, 600..680 nm; DIN EN 60825-1:2001-11).
- Vanwege de gebundelde straal dient ook de lichtbaan op grotere afstand in acht te worden genomen en beveiligd!
- **Nooit** in de laserstraal kijken of andere personen ermee in de ogen schijnen! Dit geldt ook op grotere afstanden van het apparaat!
- Het apparaat altijd zodanig opstellen dat personen **niet** op ooghoogte worden geraakt (attentie bij trappen en bij reflecties).

Beslist in acht nemen

- Apparaat in het midden van het werkgebied opstellen.
- Voor afstanden vanaf 20 m zoveel mogelijk vanaf statief werken
- Regelmatig nauwkeurighedscontroles uitvoeren
- Een stabiel standpunt is de basis voor veilig werken
- Glasoppervlakken op het apparaat en het afbuigprisma schoon houden

ONDERDELEN

Bedieningspaneeltoetsen

- 1 Aan-Uit-toets
- 2 Manuele toets

Controle-indicatoren

- 3 Status- / waterpasindicator
- 4 Manuele indicator / waarschuwingsindicator (HI)
- 5 Batterij-indicator

Onderdelen

- 6 Infraroodontvanger voor afstandsbediening
- 7 Laserkopf
- 8 Groeven voor asuitlijning
- 9 Straaluitrede
- 10 Beweegbare rubberbalg
- 11 Handgreep
- 12 Batterijdeksel
- 13 Statiefaansluitingen
- 14 Rubbervoetjes

STROOMVOORZIENING

Wanneer dat nog niet in de fabriek is gebeurd, dienen vóór de eerste inbedrijfstelling de (oplaadbare) batterijen (accu's) te worden aangebracht. Wanneer u accu's gebruikt deze eerst opladen. Zie desbetreffend hoofdstuk.



De NiCd- en NiMH-batterijen kunnen geringe hoeveelheden schadelijke stoffen bevatten.

Vergewis u ervan, dat de batterijen voor de eerste inbedrijfstelling en na een vrij lange periode niet gebruikt te zijn worden opgeladen.

Gebruik voor het opladen uitsluitend de voorgeschreven oplaadapparatuur overeenkomstig de aanwijzingen van de fabrikant.

De batterij mag niet worden geopend, door verbranding opgeruimd of kortgesloten. Daarbij bestaat gevaar voor lichamelijk letsel door ontvlammen, exploderen, uitlopen of verhitten van de batterij.

Neem de desbetreffende voorschriften van de respectievelijke landen bij het afvoeren en opslaan van voor het milieu gevaarlijk afval in acht.

Batterijen buiten bereik van kinderen bewaren. Bij doorslikken geen braken bewerkstelligen. Meteen een arts raadplegen.

Batterijen / accu's gebruiken

Deksel van het batterijenvakje afnemen door de centrale afsluitinrichting 90° te draaien. Batterijen / accu's zodanig is het batterijenvakje plaatsen, dat het minuscontact op de spiraalveren van de batterijen ligt. Deksel aanbrengen en met centrale afsluitinrichting vastzetten.



Bij gebruik van alkalibatterijen wordt het opladen door een mechanische beveiliging verhindert. Het opladen kan uitsluitend plaatsvinden m.b.v. het originele accupakket. Accu's van een ander merk dienen extern te worden opgeladen.

Gebruiksduur

Bij gebruik van alkalibatterijen (AIMn) (Mono LR 20) bedraagt de gebruiksduur ca. 90 h in de rotatiemodus.

NiCd-accu's maken een gebruiksduur van ca. 45 h in de rotatiemodus mogelijk.

Onderstaande factoren reduceren de werktijd:

- frequent bijstellen van de stand (wind, trillingen);
- extreme temperaturen;
- oudere accu's; frequent opladen van bijna volle accu's (memory-effect).
- gebruik van batterijen met een verschillende laadstatus.



Batterijen / accu's altijd compleet vervangen. Gebruik nooit batterijen / accu's met een verschillende capaciteit; zoveel mogelijk **nieuwe / opnieuw opgeladen batterijen / accu's van één fabrikant** gebruiken.

Door langzaam knippen van de batterij-indicator 5 wordt eerst aangegeven dat de batterijen moeten worden opgeladen resp. vervangen. Worden de batterijen / accu's verder ontladen, dan gaat de LED permanent branden, voordat het apparaat volledig wordt uitgeschakeld.

Accu's opladen

De meegeleverde netoplaadinrichting heeft ca. 10 uur nodig om lege accu's op te laden. Steek daarvoor de stekker van de opplaadinrichting in de laadbus van het apparaat. Nieuwe resp. accu's die vrij lange tijd niet zijn gebruikt, hebben pas na vijf oplaad- en onlaadcycli hun volle vermogen.



Accu's uitsluitend opladen, wanneer de temperatuur van het apparaat zich tussen 10°C en 40°C bevindt. Opladen bij hogere temperaturen kunnen de accu's beschadigen. Opladen bij lagere temperaturen verlengt de oplaadtijd en reduceert de capaciteit, hetgeen tot een gereduceerd vermogen en een kortere levensduur van de accu leidt.

INBEDRIJFSTELLING

Opbouw v.d. laser

Positioneer het apparaat horizontaal of verticaal op een stabiele ondergrond of d.m.v. de statiefaansluiting op een statief of wandklem op de juiste hoogte. Naargelang de positie bij het inschakelen herkent het apparaat het automatisch de horizontale of verticale modus.

Door op de Aan-Uit-toets 1 te drukken wordt het apparaat ingeschakeld, terwijl alle LED's 3, 4, 5 3 sec. oplichten. Het waterpas stellen begint onmiddellijk. Voor het uitschakelen van het apparaat opnieuw de toets indrukken. Tijdens het waterpas stellen staat de rotor stil, de waterpasindicator 3 knippert (1 x per sec.). Het apparaat is waterpas gesteld, wanneer de laserstraal verschijnt en de waterpasindicator 3 niet meer knippert. De waterpasindicator brandt dan 5 min. ononderbroken en gaat vervolgens opnieuw knippen (om de 4 sec.), ten teken dat de laser automatisch werkt.

Wanneer het apparaat meer dan 8 % scheef staat (automatisch waterpasstelbereik), knippen laser en waterpasindicatoren in een frequentie van eenmaal per seconde. Het apparaat moet dan opnieuw worden gejusteerd.

Waterpasautomaat, slipbeveiliging

Na het inschakelen van het apparaat justeert het automatisch oneffenheden in zijn automatisch waterpasstelbereik van ca. 8 % ($\pm 0,8$ m/10 m), waarbij de rotor nog stilstaat.

Na het waterpas stellen controleert de laser de positie. De slipbeveiliging wordt elke keer, nadat voor de eerste keer waterpas is gesteld, ca. 5 min. na het waterpas stellen geactiveerd, wanneer de laser met 600 min^{-1} in de horizontale modus werkt.

Bij een positieverandering $> 30 \text{ mm} / 10 \text{ m}$ activeert deze storing de zogen. slipbeveiliging om te verhinderen dat grotere kantelingen tot hoogteafwijkingen leiden. Hier stopt de rotor, de laserstraal wordt uitgeschakeld, de manuele -/HI-waarschings-LED 4 knippert (2x per sec.). Het apparaat uit- en opnieuw inschakelen en vervolgens de oorspronkelijke hoogte controleren resp. opnieuw instellen.

Handmatig instellen / éénas-hellingmodus

Door eenmaal kort te drukken op de manuele toets aan de laser (2) van het automatisch waterpas stellen kan het apparaat met behulp van de afstandsbediening resp. de ontvanger-afstandsbedieningscombinatie naar de manuele modus worden omgeschakeld, hetgeen de rode LED 4 met een knipperfrequentie van eenmaal per seconde aangeeft. In deze modus kan de Y-as worden gekanteld door op de pijltoetsen „Omhoog / Omlaag“ op het apparaat resp. van de afstandsbediening te drukken en bovendien de X-as van de laser door op de pijltoetsen „Rechts/Links“ op de afstandsbediening te drukken.

Door opnieuw kort op de manuele toets bij de horizontale modus te drukken, wordt het apparaat in de éénas-hellingmodus omgeschakeld, hetgeen wordt aangegeven door het gelijktijdige knippen van de groene en rode LED 3/4 in een frequentie van eenmaal per seconde (in de verticale modus schakelt men van manueel direct terug naar het automatische waterpas stellen). In deze modus kan de Y-as m.b.v. de pijltoetsen „Omhoog / Omlaag“ op het apparaat of op de afstandsbediening worden gekanteld, terwijl de X-as verder in de horizontale modus functioneert (z.B. bij de inbouw van hellende, verlaagde plafonds of opritten). Werkt het apparaat met 600 min^{-1} , dan is ook de slipbeveiliging actief, d.w.z. dat de apparaatopbouw verder wordt gecontroleerd, hoewel de Y-as handmatig is gekanteld.

Door opnieuw kort op de manuele toets te drukken gaat het apparaat terug naar het automatisch waterpas stellen, hetgeen door de groene LED 3 wordt weergegeven.

WERKVOORBEELDEN

Bepaling hoogte apparaat (HI)

De hoogte van het apparaat (HI) is de hoogte van de laserstraal. Deze wordt berekend door het optellen van de maatlatafzetting bij een hoogtemarkering of een bekende hoogte.

Opbouw van de laser en positionering van de meetlat met de ontvanger op een bekend hoogte- of referentiepaaltje (NN).

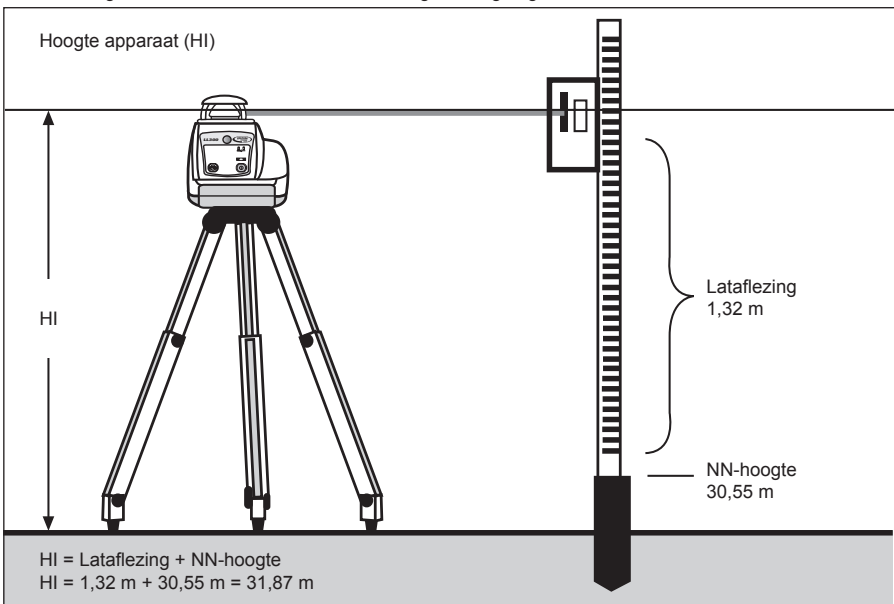
Ontvanger op de positie "Op Hoogte" van de laserstraal uitlijnen.

Optellen van de meetlatafzetting bij de bekende NN-hoogte, om de laserhoogte te bepalen.

Voorbeeld:

| | | |
|--------------|---|---------|
| NN-hoogte | = | 30,55 m |
| Latafzetting | = | +1,32 m |
| Laserhoogte | = | 31,87 m |

De laserhoogte als referentie voor alle andere hoogtemetingen gebruiken.



Meterpeil / hoogtepunt overbrengen

Het apparaat in de horizontale modus zodanig opstellen (bijv. d.m.v. slingerstatief), dat de laserstraal zich op de gewenste hoogte bevindt.

Dan het prisma óf handmatig naar de gewenste locatie draaien óf een van de rotatiemodi gebruiken.

Wanneer zonder statief wordt gewerkt, het apparaat op een stabiele ondergrond plaatsen en het hoogteverschil tussen laserstraal en gewenst hoogtepunt m.b.v. een meetlint opmeten. Na het draaien van het prisma naar de locatie het ervoor gemeten hoogteverschil aangeven.

Verticale modus

De laser, op een waterpas gesteld statief, zich allereerst in de horizontale modus waterpas laten stellen.

Met de manuele toets naar de manuele modus omschakelen en d.m.v. de verticale schroefdraadopname op het statief opbouwen.

Na de verticale opbouw van de laser kan door het verdraaien van de laser het verticale laserstraalvlak uitgelijnd worden op het midden van de ontvanger.

Om bij deze werkzaamheden offsetfouten te vermijden de ontvanger op ongeveer dezelfde hoogte als de laser inzetten.

Met de „Omhoog/Omlaag“-pijltoetsen van de afstandsbediening kunt u een nauwkeurige uitlijning uitvoeren.

WATERPASNAUWKEURIGHEID

Nauwkeurighedsinvloeden

De mogelijke waterpasnauwkeurigheid wordt door vele factoren beïnvloed:

- de door de fabriek ingestelde nauwkeurigheid;
- de temperatuur van het apparaat;
- omgevingsinvloeden zoals regen, wind en temperatuur.

De grootste invloed op de meetnauwkeurigheid heeft de omgevingstemperatuur. Met name verticale temperatuurverschillen (luchtlagen) in de buurt van de bodem doen zoals het trillen van de lucht boven warme asfaltwegen de laserstraal afbuigen.

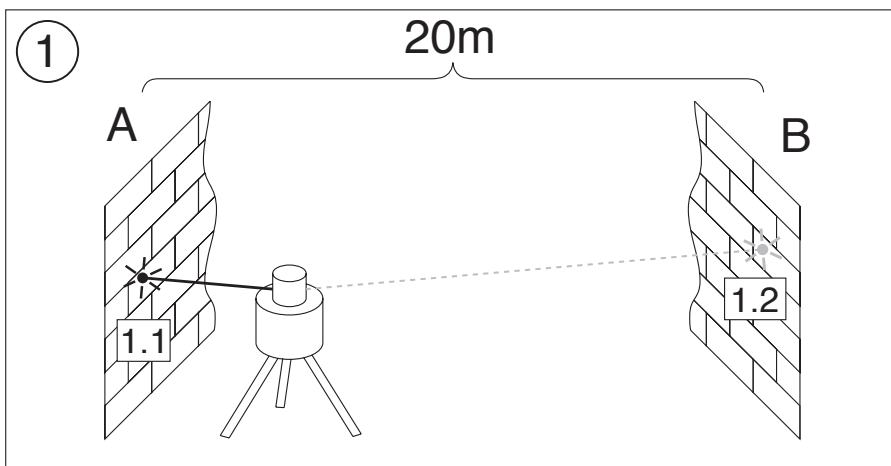


Dit geldt eveneens voor optische meetapparaten, zoals theodolieten of waterpasinstrumenten!

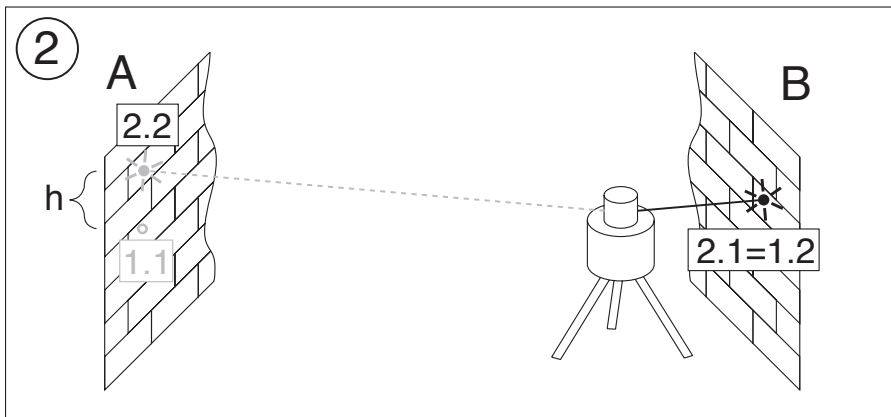
Nauwkeurighedscontrole

Daarvoor is een vrije afstand van 20 m lengte tussen twee muren nodig (A en B) en wordt een omslagmeting over beide assen X en Y in de horizontale modus uitgevoerd (4 metingen).

Plaats de laser horizontaal op een vlakke ondergrond of op een waterpas gesteld statief vlak bij een muur (A) en richt het laserpunt in de X-asrichting naar de dichtstbijzijnde muur (A). Na het waterpas stellen wordt de hoogte (d.m.v. ontvanger) op de muur aangebracht. Dan het apparaat 180° laten draaien, waterpas stellen en het midden van de straal op de andere muur (B) markeren.



Plaats het apparaat nu dicht bij muur B. Richt de laserstraal van het waterpas gestelde apparaat in de X-asrichting van muur B, zodat de eerder gemarkeerde hoogte (vanuit de meting van muur A) exact gerealiseerd is. Draai het apparaat 180°, het waterpas laten stellen en het midden van de straal op muur A markeren. Het verschil (h) tussen beide hier gemarkeerde punten levert nu de werkelijke apparaatafwijking op.



Wanneer het apparaat bij de grens van de fabrieksnauwkeurigheid ($\pm 1,0$ mm op 10 m) ligt, bedraagt bij $20 + 20 = 40$ m de maximale afwijking van de nulstand 4 mm.

Dit op dezelfde wijze voor de negatieve X-as en voor de positieve Y-as herhalen, zodat de hoogte over alle 4 richtingen op hetzelfde muurpunt werd gemeten.

APPARAATBEVEILIGING

Het apparaat niet blootstellen aan extreme temperaturen en temperatuurschommelingen (niet in de auto laten liggen).

Het apparaat is zeer stevig gebouwd. Desondanks dient men met meetapparatuur zorgvuldig om te gaan. Nadat het apparaat zwaar is belast, altijd de waterpasnauwkeurigheid controleren voordat de werkzaamheden worden voortgezet.

Het apparaat kan zowel binnen als buiten worden gebruikt.

REINIGING EN ONDERHOUD

Verontreinigingen van de glasoppervlakken bij uitreedopening 9 hebben een zeer ongunstige invloed op de kwaliteit en de reikwijdte van de straal. Voor het reinigen wattenstaafjes gebruiken. Opletten dat geen pluisjes achterblijven.

Met name rubberbalg 10 schoon houden. Verontreinigingen met een vochtige, zachte doek verwijderen. Gebruik geen scherpe reinigings- en oplosmiddelen. Vochtig apparaat buiten laten drogen.

MILIEUBESCHERMING

Apparaat, accessoires en verpakking zijn recyclebaar.

Deze handleiding is vervaardigd van chloorvrij recyclingpapier. Alle kunststoffen onderdelen zijn gekenmerkt om voor de recycling gescheiden te worden aangeboden.



Verbruikte batterijen / accu's niet weggooien, niet in vuur of water werpen, maar inleveren als KCA.

GARANTIE

Op materiaal en fabricagefouten van het apparaat wordt in overeenstemming met de wettelijke bepalingen 12 maanden garantie verleend.

Voor schade als gevolg van gebruik van een niet gejusteerd apparaat stelt de fabrikant zich niet aansprakelijk.



Vóór begin van alle werkzaamheden altijd een **nauwkeurigheidscntrole** in overeenstemming met het gelijknamige hoofdstuk uitvoeren.

De garantie vervalt met het openen van het apparaat of het verwijderen van de typeplaatjes.

TECHNISCHE GEGEVENEN

| | |
|--------------------------------------|---|
| Meetnauwkeurigheid ^{1,3} : | < ± 18 arc seconds, < ± 2,6 mm/30m |
| Rotatie: | 600 ¹ /min. |
| Reikwijdte ¹ : (diameter) | 400 m |
| Lasertype: | rode diodelaser 635 mm |
| Laservermogen: | <5 mW, laserklasse 3R |
| Automatisch waterpasstelbereik): | typ. ± 8 % (ca. ± 4,8°) |
| Waterpassteltijd: | typ. 30 sec. |
| Waterpasindicator | LED knippert |
| Straaldiameter ¹ : | ca. 8 mm bij het apparaat |
| Stroomvoorziening: | 4 x 1,5 V monocellen type D (LR 20) |
| Bedrijfstemperatuur: | - 20 ° C ... + 50 ° C |
| Opslagtemperatuur: | - 20 ° C ... + 70 ° C |
| Statiefaansluitingen: | 5/8" horizontaal en verticaal |
| Gewicht: | 2,7 kg |
| Laagspanningsindicator: | batterij-indicator knippert / brandt |
| Laagspanningsuitschakeling: | het apparaat wordt volledig uitgeschakeld |

1) bij 21° C

2) bij optimale atmosferische omstandigheden

3) langs de assen

OVEREENSTEMMINGSVERKLARING

Hiermee verklaren wij,

Trimble Kaiserslautern GmbH

dat onderstaand apparaat

LL300

door zijn ontwerp en constructie alsmede door de door ons in omloop gebrachte uitvoering beantwoordt aan de normen

EN 61000-4-2, 1995; EN 55011, 1998; EN 61000-4-3, 2002

overeenkomstig de bepalingen van de richtlijn

Electromagnetic compatibility 89/336/EEC.

Kaiserslautern, 17.03.2004

Bernd Brieger
directeur

| | |
|--------------------------------------|----|
| FÖR DIN SÄKERHET | 47 |
| Mycket viktigt | 47 |
| APPARATELEMENT | 48 |
| STRÖMFÖRSÖRJNING | 48 |
| Att sätta i batterierna | 48 |
| Drifttid | 48 |
| Ladda batterierna | 49 |
| IDRIFTTAGNING | 49 |
| Montering av lasern | 49 |
| Automatisk avvägning och stegsäkring | 49 |
| ARBETSEXEMPEL | 50 |
| Att fastställa apparatens höjd (HI) | 50 |
| Överföra metermärke/höjdpunkt | 50 |
| Vertikal drift | 51 |
| AVVÄGNINGSNOGGRANNHET | 51 |
| Faktorer som påverkar noggrannheten | 51 |
| Kontroll av noggrannheten | 51 |
| APPARATSKYDD | 52 |
| RENGÖRING OCH SKÖTSEL | 52 |
| MILJÖSKYDD | 52 |
| GARANTI | 52 |
| TEKNISKA DATA | 53 |

FÖR DIN SÄKERHET



LASERSTRÅLNING
TITTA INTE DIREKT
MOT LJUSSTRÅLEN
KLASS 3R LASER PRODUKT

- Avlägsna inte varningsskyltar på apparaten!
- Lasern är av klass 3R (max. 5mW, 600..680 nm; DIN EN 60825-1:2001-11).
- P.g.a. den koncentrerade strålen måste även strålbanan beaktas och säkras med god marginal!
- Blicka **aldrig** in i laserstrålen och lys aldrig in i ögonen på andra personer! Detta gäller även vid större avstånd till lasern!
- Ställ alltid upp lasern så, att den **inte** kan stråla på personer i ögonhöjd (se upp vid trappor och vid reflexioner).

Mycket viktigt

- Ställ upp apparaten i mitten av arbetsfältet
- Använd om möjligt ett stativ vid avstånd över 20 m
- Genomför regelbundna noggrannhetskontroller
- Att lasern står stabilt är grunden för en säker drift
- Håll glasytor på apparat och prisma rena

APPARATELEMENT

Knappar på manöverpanelen

- 1 Strömbrytare
- 2 Manuell-tangenten

Kontrollindikeringar

- 3 Drifts-/avvägningsindikering
- 4 Manuell-/varningsindikering
- 5 Batteriindikering

Apparatelement

- 6 Infraröd mottagare för fjärrkontroll
- 7 Laserhuvud
- 8 Centreringsmarkeringar
- 9 Strålutgång
- 10 Rörlig gummibälg
- 11 Bärhandtag
- 12 Batterilock
- 13 Stativanslutningar
- 14 Gummifötter

STRÖMFÖRSÖRJNING

Före den första idrifttagningen, om så inte skett hos tillverkaren, måste batterierna resp. de laddningsbara batterierna sättas i. Vid drift med laddningsbara batterier måste batterierna laddas först. Se motsvarande avsnitt.



NiCd- och NiMH-batterier kan innehålla en ringa mängd av skadeämnen.

Se till att batterierna laddas upp före första användandet och efter varje längre driftsuppehåll.

Använd endast av tillverkaren rekommenderade batterieladdare för att ladda upp batterierna.

Batterierna får ej öppnas, eldas upp eller kortslutas på grund av risk för personskador som kan uppstå genom eld, explosion, batterisyra eller uppvärmning av batterierna.

Beakta de nationella föreskrifterna som gäller för avfallshantering beträffande batterier.

Förvara batterier oåtkomliga för barn. Skulle batterier råka sväljas undvik att kräka. Tag omedelbart kontakt med läkare.

Sätta i batterier/laddningsbara batterier

Ta av batterifackets lock genom att vrida centrallåset 90°. Lägg i batterierna i batterifacket så, att minuskontakten ligger på batterispiralfjädrarna. Lägg på locket och fixera med centrallåset.



Vid användning av alkalibatterier förhindrar en mekanisk säkring att de laddas. Endast de laddningsbara batteriernas originalpaket tillåter laddning i apparaten. Laddningsbara batterier från andra tillverkare måste laddas externt.

Driftstid

Vid användning av alkali (AlMn) batterier (LR 16) är driftstiden ca 90 h i rotationsdrift.

Laddningsbara NiCd-batterier möjliggör en driftstid på ca 45 h i rotationsdrift.

Följande faktorer minskar driftstiden:

- ofta förekommande reglering av läget i efterhand (vind, skakningar);
- extrema temperaturer;
- äldre laddningsbara batterier; ofta förekommande laddning av nästan fulla batterier (memory-effekt);
- användning av batterier med olika laddningstillstånd.



Byt alltid ut batterierna/de laddningsbara batterierna komplett. Använd aldrig batterier/laddningsbara batterier av olika kapacitet, använd om möjligt **nya** batterier resp. **nyladdade** laddningsbara batterier från **en** tillverkare.

Batterilampan 5 informerar genom långsam blinkning om att batterierna måste bytas resp. laddas. Vid ytterligare urladdning lyser LED:en permanent, innan apparaten slår från komplett.

Ladda batterierna

Det tillhörande nätladdaren behöver ca 10 timmar för att ladda tomma batterier. Sätt härför i laddarens stickkontakt i apparatens laddningsuttag. Nya, resp. batterier som inte använts på ett längre tag, uppnår inte full effekt förrän efter fem laddnings- och urladdningscykler.



Batterier bör endast laddas när apparatens temperatur ligger mellan 10°C och 40°C. Laddning vid högre temperaturer kan skada batterierna. Laddning vid lägre temperaturer förlänger laddningstiden och minskar kapaciteten, vilket leder till att de laddningsbara batterierna får en reducerad effekt och en lägre drifttid.

IDRIFTTAGNING

Positionera apparaten horisontellt eller vertikalt i önskad höjd på ett stabilt underlag eller medels stativanslutning på ett stativ eller väggfäste. Apparaten registrerar automatiskt horisontellt eller vertikalt driftsätt allt efter apparatens läge vid tillkopplingen.

Tryck på strömbrytaren 1 för att tillkoppla apparaten. Alla LED-lampor 3, 4, 5 lyser då upp i 3 sek. Avvägningen börjar omedelbart. Tryck på knappen en gång till för att fränkoppla apparaten. Under avvägningen står rotorn stilla, avvägningsindikeringen 3 blinkar (1x per sek.). Apparaten är avvägd när laserstrålen lyser och avvägningsindikeringen 3 inte blinkar längre. Avvägningsindikeringen lyser permanent i 5 min., sedan visar den genom att blinka på nytt (1x var 4:e sek.) att lasern arbetar i automatisk drift.

Om apparaten står snett mer än 8 % (självavvägningsområdet), blinkar laser och avvägningsindikeringar i sekundtakt. Apparaten måste då upprättas på nytt.

Automatisk avvägning, stegsäkring

Efter tillkopplingen utjämnar apparaten automatiskt ojämnheter i sitt självavvägningsområde på ca 8 % ($\pm 0,8$ m/10 m), varvid rotorn fortfarande står stilla.

Efter avvägningen övervakar lasern läget. Stegsäkringen aktiveras, efter den första avvägningen, ca 5 min. efter avvägningen, om lasern arbetar med 600 min^{-1} i horisontaldrift.

Vid en lägesförändring > 30 mm / 10 m utlöser den här störningen den så kallade stegsäkringen, för att förhindra att större snedlägen leder till höjdfel. Då stannar rotorn, laserstrålen fränkopplas, Manuell-/HI-Varnings-LED:en 4 blinkar (2x per sek.). Från- och tillkoppla apparaten och kontrollera resp. rikta därefter in den ursprungliga höjden på nytt.

Manuell drift/enaxel-lutningsdrift

Med hjälp av fjärrkontrollen resp. mottagar-fjärrkontroll-kombinationen kan apparaten kopplas om från den automatiska självavvägningsdriften till den manuella driften genom att knappen Manuell på lasern (2) trycks kortvarigt en gång; detta signaliseras genom att den röda LED:en 4 blinkar i sekundtakt. I detta driftläge kan Y-axeln lutas genom tryckning av pilknapparna "Upp/Ned" på apparaten resp. fjärrkontrollen och dessutom laserns X-axel genom tryckning av pilknapparna "Höger/Vänster" på fjärrkontrollen.

Vid ytterligare en kortvarig tryckning av knappen Manuell vid horisontell uppbyggnad kopplas apparaten om till enaxel-lutningsdriften, vilket signaliseras av att den gröna och röda LED:en 3/4 blinkar samtidigt i sekundtakt (i vertikalläge kopplar man från Manuell direkt tillbaka till självavvägningsdriften. I detta driftläge kan Y-axeln lutas med hjälp av pilknapparna "Upp/Ned" på apparaten eller fjärrkontrollen, medan X-axeln fortsätter att arbeta i automatisk horisontaldrift (t.ex. vid inbyggnad av lutade, insatta innertak eller uppfarter). Om apparaten arbetar med 600 min^{-1} , så är även stegsäkringen aktiv, dvs. apparatuppbyggnaden fortsätter att övervakas, fastän Y-axeln har lutats manuellt.

Vid ytterligare en kortvarig tryckning av knappen Manuell kopplas apparaten tillbaka till den automatiska självavvägningsdriften, vilket visas av den gröna LED:en 3.

ARBETSEXEMPEL

Hur man fastställer apparatens höjd (HI)

Apparatens höjd (HI) är lika med laserstrålens höjd. Den fastställs genom att addera en position på lasermätstängens med en höjdmärkning eller en bekant höjd.

Laserns montering och lasermätstångens placering med mottagaren på en bekant höjd- eller referensstång (NN).

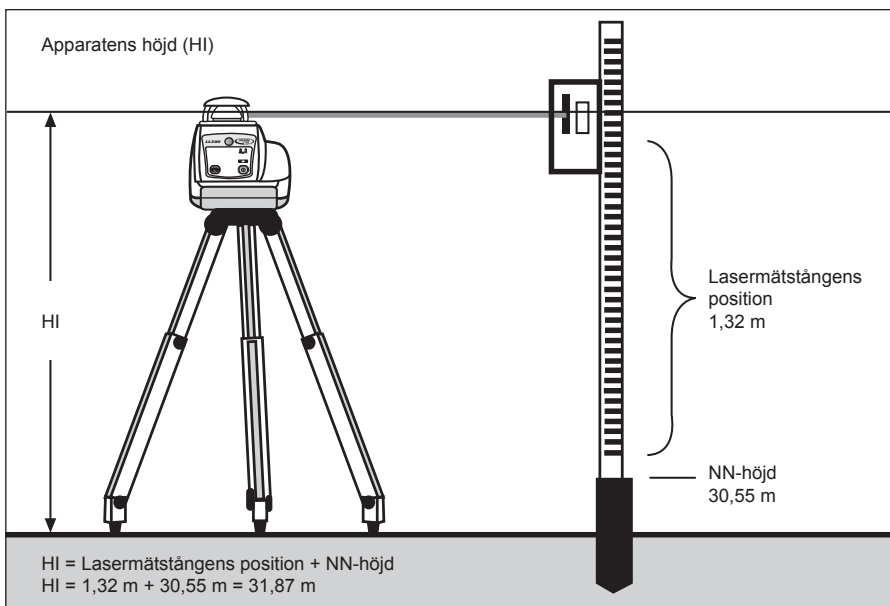
Rikta in mottagaren på positionen „på höjd“ med laserstrålen.

Addera positionen på lasermätstången med den bekanta NN-höjden för att fastställa laserns höjd.

Exempel:

| | | |
|---------------------------|---|---------|
| NN-höjd | = | 30,55 m |
| Lasermätstångens position | = | +1,32 m |
| Laserns höjd | = | 31,87 m |

Använd laserns höjd som referens för alla andra höjdmätningar.



Överföra metermärke/höjdpunkt

Ställ upp apparaten i det horisontella driftsättet så (t.ex. med vevstativ), att laserstrålen befinner sig på önskad höjd.

Vrid sedan prismet antingen för hand till det önskade målet eller använd ett av rotationsdriftsätten.

Om du arbetar utan stativ, ställ då apparaten på ett stabilt underlag och ta fram höjdskillnaden mellan laserstrålen och den önskade höjdpunkten med hjälp av ett metermått. Märk in höjdskillnaden som mättes innan, efter att du vridit prismet till målet.

Vertikal drift

Låt lasern först nivellera in sig i horisontellt läge på ett nivellerat stativ.

Slå om till manuell modus med manuell-tangenten och montera på stativ med de vertikala gängorna.

Efter laserns vertikala montering, kan den vertikala laserstrålenivån riktas in på mottagarens mitt genom att man skruvar på lasern.

För att undvika offsetfel vid dessa arbeten, bör mottagaren drivas på ungefär samma höjd som lasern.

Med „upp/ned“-tangenterna på fjärrkontrollen, kan en exakt finjustering genomföras.

AVVÄGNINGSNOGGRANNHET

Faktorer som påverkar noggrannheten

Den möjliga avvägningssnoggrannheten påverkas av många faktorer:

- fabriksnoggrannhet;
- apparatens temperatur;
- omgivningsfaktorer som regn, vind och temperatur.

Mest påverkas mätnoggrannheten av omgivningstemperaturen. Speciellt **vertikala temperaturskillnader** (luftskikt) nära marken avleder laserstrålen, ungefär som när luften dallrar över heta asfaltvägar.

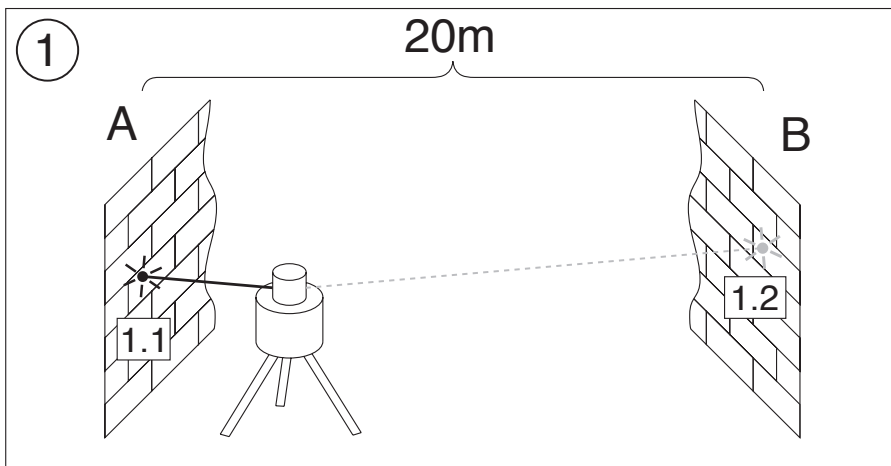


Detta gäller för alla optiska mätinstrument, som teodolit eller avvägningssinstrument!

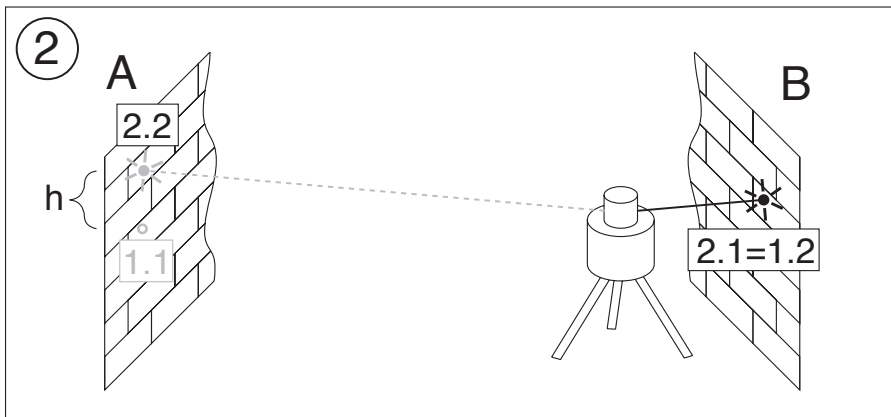
Noggrannhetskontroll

För denna kontroll behövs en öppen sträcka på 20 m längd mellan två väggar (A och B) och en omslagsmätning över båda axlarna X och Y i horisontaldrift (4 mätningar).

Placera lasern horisontellt på ett jämnt underlag eller på ett avvägt stativ nära en vägg (A) och rikta laserpunkten i X-axel-riktning mot den närmsta väggen (A). Efter avvägningen inmärks höjden (med mottagaren) på väggen. Vrid sedan apparaten 180°, låt avväga och markera strålens mitt på den bortre väggen (B).



Placera nu apparaten nära vägg B. Rikta den avvägda apparatens laserstråle i X-axel-riktning mot väggen B som nu är nära, så att exakt den höjd som markerats innan (vid mätningen utifrån vägg A) realiseras. Vrid apparaten 180°, låt den avvägas och markera strålens mitt på vägg A. Differensen (h) av de båda markerade punkterna här utgör apparatens faktiska avvikelse.



Om apparaten ligger vid fabriksnoggrannhetens gräns ($\pm 1,0$ mm på 10 m) så är den maximala avvikelser från nollåget 4 mm vid $20 + 20 = 40$ m.

Upprepa detta på samma sätt för den negativa X-axeln och för den positiva och negativa Y-axeln, så att höjden har mätts på samma väggpunkt via alla 4 riktningar.

APPARATSKYDD

Utsätt inte apparaten för extrema temperaturer och temperaturfluktuationer (låt den inte ligga kvar i bilen).

Apparaten är mycket robust. Trots detta måste man hantera mätinstrument försiktigt. Efter kraftig yttre påverkan måste man kontrollera avvägningssnoggrannheten före fortsatt arbete.

Apparaten kan användas inom- och utomhus.

RENGÖRING OCH SKÖTSEL

Smuts på glasytorna på utloppsöppning 10 påverkar strålens kvalitet och räckvidd avsevärt. Rengör dem med bomullspinna. Se till att inget ludd fastnar.

Håll gummibälgen 11 extra ren. Torka av smuts med en fuktig, mjuk duk. Använd inga skarpa rengörings- och lösningsmedel. Låt apparaten lufttorka om den är våt.

MILJÖSKYDD

Apparat, tillbehör och förpackning bör återvinnas på ett miljövänligt sätt.

Denna anvisning har tryckts på klorfritt tillverkat återvinningspapper. Alla plastdelar är märkta för respektive återvinning.



Förbrukade batterier får inte kastas i hushållssopor, i eld eller vatten, utan måste avfallshanteras på ett miljövänligt sätt.

GARANTI

Apparaten har enligt de lagstadgade bestämmelserna 12 månaders garanti på material och tillverkningsfel.

Vi ansvarar ej för skador som uppstår till följd av användning av en feljusterad apparat.



Genomför alltid en **noggrannhetskontroll** enligt avsnittet med samma namn innan du påbörjar arbetet.

Garantin upphör att gälla om apparaten öppnas eller typskyltarna avlägsnas.

TEKNISKA DATA

| | |
|------------------------------------|--|
| Mätnoggrannhet ^{1,3} : | ± 18 arc seconds, $< \pm 2,6$ mm/30m |
| Rotation: | 600 ¹ /min. |
| Räckvidd ¹ : (diameter) | 400 m |
| Lasertyp: | röd diodlaser 635 nm |
| Lasereffekt: | <5 mW, laserklass 3R |
| Självavvägningsområde: | typ. ± 8 % (ca. $\pm 4,8^\circ$) |
| Avvägningstid: | typ. 30 sek. |
| Avvägningsindikering: | LED blinkar |
| Stråldiameter ¹ : | ca 8 mm vid apparaten |
| Strömförsörjning: | 4 x 1,5 V batterier typ D (LR 20) |
| Drifttemperatur: | - 20° C ... + 50° C |
| Lagertemperatur: | - 20° C ... + 70 ° C |
| Stativanslutningar: | 5/8" horisontellt och vertikalt |
| Vikt: | 2,7 kg |
| Lågspänningsindikering: | batteriindikeringen blinkar/lyser |
| Lågspänningsfrånkoppling: | Apparaten slår från fullständigt |

1) vid 21° Celsius

2) vid optimala atmosfäriska förutsättningar

3) längs axlarna

FÖRSÄKRAN OM ÖVERENSSTÄMMELE

Vi

Trimble Kaiserslautern GmbH

försäkrar med ensamansvar att produkten

LL300

som denna försäkrans gäller för, stämmer överens med följande normer

EN 61000-4-2, 1995; EN 55011, 1998; EN 61000-4-3, 2002

enligt bestämmelserna i riktlinje

Electromagnetic compatibility 89/336/EEC.

Kaiserslautern 2004-17-03

Bernd Brieger
Verkställande direktör

| | |
|--------------------------------------|----|
| SIKKERHEDSHENVISNINGER | 54 |
| Skal ubetinget følges | 54 |
| APPARATDELE | 55 |
| STRØMFORSYNING | 55 |
| Isætning af batterier/akkumulatorer | 55 |
| Driftstid | 55 |
| Opladning af akkumulatorer | 56 |
| IBRUGTAGNING | 56 |
| Opbygning af laser | 56 |
| Nivelleringsautomatik og trinsikring | 56 |
| Manuel anvendelse/enakset hældning | 56 |
| ARBEJDSKSEMPLER | 57 |
| Indstilling af apparathøjde (HI) | 57 |
| Overføring af meterrids/højdepunkt | 57 |
| Vertikaldrift | 58 |
| NIVELLERINGSNØJAGTIGHED | 58 |
| Nøjagtighedspåvirkninger | 58 |
| Nøjagtighedskontrol | 58 |
| BESKYTTELSE AF APPARATET | 59 |
| RENGØRING OG PLEJE | 59 |
| MILJØBESKYTTELSE | 59 |
| GARANTI | 59 |
| TEKNISKE DATA | 60 |

SIKKERHEDSHENVISNINGER



LASERSTRÅLING
UNDGÅ DIREKTE
BESTRÅLING AF ØJNENE
LASERKLASSE 3R

- Advarselsskilte på apparatet må ikke fjernes!
- Laseren er underlagt klasse 3R max. 5 mW, 600..680 nm; DIN EN 60825-1:2001-11).
- Vær på grund af den fokuserede stråle også opmærksom på strålegangen på større afstande og sørg for at sikre den!
- Se **aldrig** ind i laserstrålen og ret den ikke mod andre personers øjne! Dette gælder også ved større afstande fra apparatet!
- Opstil altid apparatet således, at strålen **ikke** er i øjenhøjde med personer (vær forsigtig på trapper og ved refleksioner).

Skal ubetinget følges

- Opstil apparatet i arbejdsområdets midte
- Anvend så vidt muligt stativ ved afstande fra 20 m
- Gennemfør regelmæssigt nøjagtighedskontroller
- En stabil opstilling er grundlag for sikker brug
- Hold glasflader på apparatet og styreprismet rene

APPARATDELE

Taster på betjeningsfeltet

- 1 Afbryder
- 2 Manuel-taste

Kontrolindikatorer

- 3 Funktions-/nivelleringsindikator
- 4 Manuel/ HI-advarselslampe
- 5 Batteriindikator

Apparatdele

- 6 Infrarød modtager til fjernbetjening
- 7 Laserhoved
- 8 Akseretningsmarkeringer
- 9 Stråleudgang
- 10 Bevægelig gummibælg
- 11 Bærehåndtag
- 12 Batteriafdækning
- 13 Stativtilslutninger
- 14 Gummifødder

STRØMFORSYNING

Før den første ibrugtagning skal batterierne eller de genopladelige batterier (akkumulatorer) sættes i, hvis det ikke allerede er blevet foretaget på fabrikken. Ved brug af akkumulatorer skal disse oplades forinden. Se det pågældende afsnit.



NiCd- og NiMH-batterier kan indeholde ringe mængder af skadestoffer.

Sørg for, at batterierne oplades før førsteidriftsættelse og efter længere ikke-benyttelse.

Til opladning bruges udelukkende de dertil bestemte opladningsapparater iht. fabrikantens angivelser.

Batterier må ikke åbnes, bortskaffes gennem forbrænding eller kortsluttes. Derved opstår der beskadigelsesfare gennem forbrænding, eksplosion, udløbning eller opvarmning af batteriet.

De pågældende nationale bortskaffelsesbestemmelser overholdes.

Batterier opbevares utilgængeligt for børn. Ved slugning må der ikke fremkaldes opkastning. Læge tilkaldes omgående.

Isætning af batterier/akkumulatorer

Batteriafdækningen tages af ved at dreje den centrale lukkeanordning 90°. Batterierne/akkumulatorerne isættes således, at minuskontakten ligger på batterispiralfjedrene. Låget sættes på igen og fikseres med den centrale lukkeanordning.



Ved brug af alkalibatterier forhindres opladning ved hjælp af en mekanisk sikring. Kun den originale akkupakke muliggør opladning i apparatet. Fremmede akkumulatorer skal oplades eksternt.

Driftstid

Ved anvendelse af alkalibatterier (AlMn) (batteri LR 20) er driftstiden på ca. 90 timer i rotationsmodus.

NiCd-akkumulatorer muliggør en driftstid på ca. 45 timer i rotationsmodus.

Følgende faktorer reducerer driftstiden:

- Hyppig efterjustering af positionen (vind, vibrationer);
- ekstreme temperaturer;
- gamle akkumulatorer; hyppig opladning af næsten fulde akkumulatorer (memory-effekt);
- anvendelse af batterier med forskellig kapacitet.



Batterier/akkumulatorer skal altid udskiftes sammen. Anvend aldrig batterier/akkumulatorer med forskellig kapacitet. Om muligt skal **nye/nyopladede** batterier/akkumulatorer af **samme** fabrikat anvendes.

Batteriindikatoren 5 starter ved at blinke langsomt med at signalisere, at batterierne/akkumulatorerne skal oplades eller udskiftes. Ved yderligere afladning lyser LED'en permanent, før apparatet standser helt.

Opladning af akkumulatorer

Det varer ca. 10 timer at oplade tomme akkumulatorer med det medfølgende ladeapparat. Hertil sættes ladeapparatets stik ind i opladningstilslutningen på apparatet. Akkumulatorer, der er nye eller ikke er blevet anvendt i længere tidsrum, opnår først deres fulde kapacitet efter fem op- og afladningscyklusser.



Akkumulatorer må kun oplades, når apparatets temperatur er på mellem 10°C og 40°C. Opladning ved højere temperaturer kan beskadige akkumulatorerne. Opladning ved lavere temperaturer forlænger opladningstiden og reducerer kapaciteten. Dette medfører reduceret ydelse og levetid af akkumulatorerne.

IBRUGTAGNING

Apparatet opstilles vandret eller lodret på et stabilt underlag eller positioneres i den ønskede højde ved hjælp af en stativtilslutning på et stativ eller en vægholder. Alt efter apparatets position, når der tændes for det, registrerer det automatisk, om det skal anvendes vandret eller lodret.

Ved at trykke på afbryderen 1 tændes for apparatet og alle LED-indikatorer 3, 4, 5 lyser i 3 sek. Nivelleringen starter med det samme. For at slukke trykkes igen på tasten. Under nivelleringen står rotoren stille, nivelleringsindikatoren 3 blinker (1 x pr. sek.). Laseren er klar til brug, når laserstrålen lyser og nivelleringsindikatoren 3 ikke mere blinker. Nivelleringsindikatoren lyser konstant i 5 min., derefter viser den gennem ny blinken (1x hvert 4 sek.), at laseren arbejder i den automatiske funktion.

Hvis apparatet har en hældning på mere end 8% (selvnivelleringsområde), blinker laseren og nivelleringsindikatorerne skiftevis én gang pr. sekund. Herefter skal laseren justeres på ny.

Nivelleringsautomatik og trinsikring

Efter aktivering udligner apparatet automatisk ujævnheder på ca. 8 % ($\pm 0,8$ m/10 m) i sit selvnivelleringsområde, hvorved rotoren stadigvæk står stille.

Efter nivelleringen kontrollerer laseren positionen. Trinsikringen aktiveres - efter hver første nivellering - ca. 5 min. efter nivelleringen, når laseren arbejder vandret med 600 min^{-1} .

Ved en positionsændring $> 30 \text{ mm} / 10 \text{ m}$ udløser denne fejl den såkaldte trinsikring for at større hældninger ikke fører til højdefejl. Her standser rotoren, laserstrålen afbrydes, manuel/advarsels-LED 4 blinker (2x pr. sek.). Apparatet slukkes og tændes igen, og derefter kontrolleres eller nyindstilles den oprindelige højde.

Manuel anvendelse/enakset hældning

Ved hjælp af fjernbetjeningen eller kombinationen modtager/fjernbetjening kan apparatet omskiftes fra automatisk selvnivellering til manuel anvendelse gennem et kort tryk på manuel-tasten ved laseren (2). Dette signaliseres ved at den røde LED 4 blinker én gang pr. sekund. Med denne funktion kan Y-aksen hældes ved at trykke på piltasterne »op/ned« på apparatet eller fjernbetjeningen, og laserens X-akse ligeledes indstilles ved at trykke på piltasterne »højre/venstre« på fjernbetjeningen.

Et nyt kort tryk på manuel-tasten under horisonteringen skifter apparatet til enakset hældning. Dette signaliseres gennem samtidig blinken af den grønne og røde LED 3/4 én gang pr. sekund (ved lodret anvendelse skifter man fra manuel direkte tilbage til selvnivellering). Med denne funktion kan Y-aksen hældes ved hjælp af piltasterne »op/ned« på apparatet eller fjernbetjeningen, mens X-aksen automatisk fortsætter med at arbejde vandret (f.eks. ved bygning af skrå, nedhængte lofter eller opkørsler). Når apparatet arbejder med 600 min^{-1} , er trinsikringen også aktiv, dvs. at apparatets opstilling fortsat overvåges, selvom Y-aksen er blevet hældt manuelt.

Et kort tryk på manuel-tasten igen skifter apparatet tilbage til automatisk selvnivellering. Dette vises gennem den grønne LED 3.

ARBEJDSEKSEMPLER

Indstilling af apparathøjde (HI)

Apparathøjde (HI) er højden af laserstrålen. Den bestemmes gennem sammenlægning af måleskala-angivelsen

i forhold til højdemarkeringen eller en kendt højde.

Laser opbygges, og måleskala positioneres med modtageren på en kendt højde- eller referencepæl (NN).

Modtager udrettes til position »Auf Höhe« (på højde) på laserstrålen.

Måleskala-angivelsen lægges sammen med kendte NN-højde for at finde frem til laserhøjden.

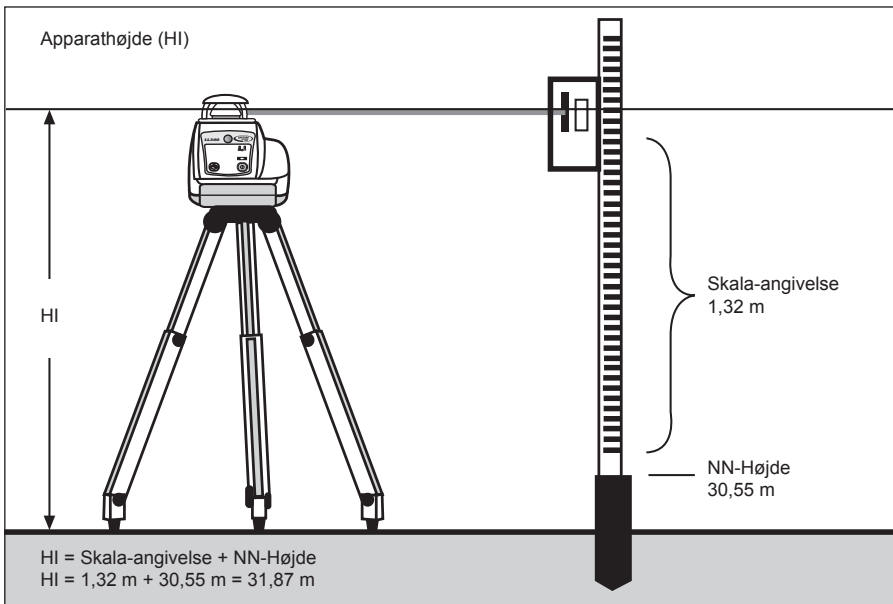
Eksempel:

NN-Højde = 30,55 m

Skala-angivelse = +1,32 m

Laserhøjde = 31,87 m

Laserhøjde benyttes som reference til alle andre højdemålinger.



Overføring af meterrids/højdepunkt

Apparatet opstilles til vandret anvendelse (f.eks. via håndsvingstativ), således at laserstrålen er på den ønskede højde.

Derefter drejes prismet manuelt eller med rotationsfunktionerne til det ønskede målpunkt.

Ved arbejde uden stativ stilles apparatet på et stabilt underlag og højdedifferencen mellem laserstråle og ønsket højdepunkt beregnes ved hjælp af et metermål. Efter drejning af prismet til målpunktet afsættes den forinden målte højdeforskel.

Vertikaldrift

Laser skal først falde i niveau i horisontaldrift på et nivelleret stativ.

Med manueltasten skiftes til manuelmodus, og via vertikalgevindoptagelsen monteres den til stativet.

Efter vertikal opbygning af laseren kan det vertikale laserstråleniveau indstilles til modtagermidten gennem drejning af laseren.

Til undgåelse af offsetfejl ved disse arbejder, bør modtageren anbringes ca. på højde med laseren.

Med „Auf/Ab“ (op/ned) piltasterne på fjernbetjeningen kan en finjustering gennemføres.

NIVELLERINGSNØJAGTIGHED

Nøjagtighedspåvirkninger

Den mulige nivelleringsnøjagtighed påvirkes af flere faktorer:

- Fabriksnøjagtighed;
- apparatets temperatur;
- påvirkning fra omgivelserne såsom regn, vind og temperatur.

Omgivelsestemperaturen har den største indflydelse på målenøjagtigheden. Især **vertikale temperaturforskelle** (luftlag) nær jorden kan aflede laserstrålen - lignende den flimren man ser over varme asfaltveje.

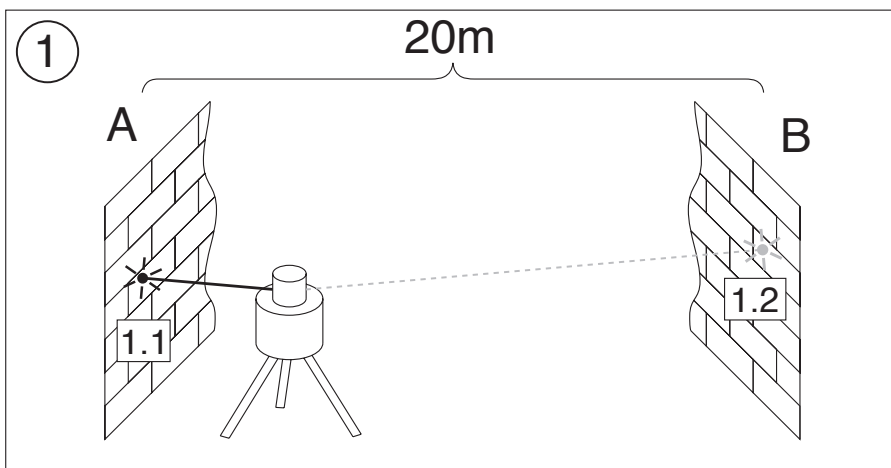


Dette gælder for alle optiske måleinstrumenter, som f.eks. teodolit eller nivelleringsinstrument!

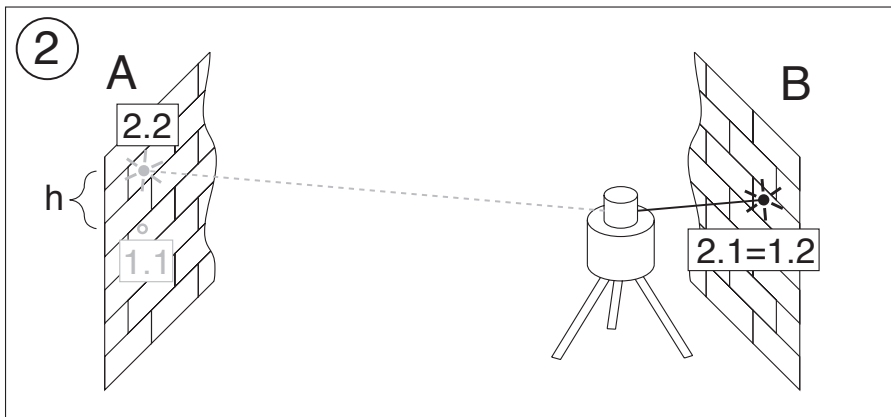
Nøjagtighedskontrol

Hertil er en fri strækning på 20 m mellem to vægge (A og B) nødvendig, og der gennemføres en omslagsmåling ved vandret anvendelse via de to akser X og Y (4 målinger).

Laseren placeres vandret på et jævnt underlag eller på et nivelleret stativ i nærheden af den ene væg (A). Laserpunktet rettes i X-aksens retning mod den nærmeste væg (A). Efter nivelleringen markeres højden (via modtager) på væggen. Derefter drejes apparatet 180°, nivelleres og strålemidten markeres på den anden væg (B).



Nu placeres apparatet i nærheden af væg B. Det nivellerede apparats laserstråle rettes i X-aksens retning mod den nærmeste væg B, således at den forinden markerede højde (fra målingen på væg A) rammes nøjagtigt. Apparatet drejes 180°, nivelleres og strålemidten markeres på væggen A. Differencen (h) mellem de to markerede punkter udgør den faktiske apparatafvigelse.



Hvis apparatet ligger ved grænsen af fabriksnøjagtigheden ($\pm 1,0$ mm på 10 m) udgør den maksimale afvigelse fra nulpositionen 4 mm ved $20 + 20 = 40$ m.

Dette skal gentages på samme måde for den negative X-akse og for den positive og negative Y-akse, således at højden fra alle fire retninger måles på det samme vægpunkt.

BESKYTTELSE AF APPARATET

Laseren må ikke udsættes for ekstreme temperaturer og temperaturudsving (f.eks. ingen opbevaring i bilen).

Apparatet er meget robust. Alligevel skal måleinstrumenter behandles med omhu. Hvis apparatet har været udsat for kraftige påvirkninger udefra, skal nivelleringsnøjagtigheden altid kontrolleres før næste brug.

Laseren kan anvendes indendørs som udendørs.

RENGØRING OG PLEJE

Urenheder på glasfladerne på laseråbningen 9 har en betydelig indflydelse på strålekvaliteten og rækkevidden. De rengøres med vatpinde. Fngug skal fjernes.

Gummibælgen 10 skal i særdeleshed holdes ren. Urenheder tørres af med en fugtig og blød klud. Anvend ingen aggressive rengørings- og opløsningsmidler. Det fugtige apparat skal lufttørres.

MILJØBESKYTTELSE

Apparat, tilbehør og emballage skal afleveres til miljørigtig genbrug.

Denne vejledning er trykt på klorfrit genbrugspapir. Alle kunststofdele er markeret for at garantere en rensorteret recycling.



Brugte batterier/akkumulatorer må ikke smides i skraldespanden, i ild eller vand, men skal bortskaffes på miljøvenlig måde.

GARANTI

For laseren ydes i henhold til de lovlige bestemmelser en garanti på 12 måneder på materiale- og fabrikationsfejl.

Der overtages intet ansvar for skader, som opstår på grund af anvendelse af et fejljusteret apparat.



Før arbejdsstart skal der altid gennemføres en **nøjagtighedskontrol** i henhold til afsnittet af samme navn.

Garantien bortfalder, hvis laseren åbnes eller typeskiltene fjernes.

TEKNISKE DATA

| | |
|---|--|
| Målenøjagtighed ^{1,3} : | $< \pm 18$ arc seconds, $< \pm 2,6$ mm/30m |
| Rotation: | 600 ¹ /min.; |
| Arbejdsområde ¹ : (diameter) | 400 mm |
| Lasertype: | rød diodelaser 635 nm |
| Laserydelse: | < 5 mW, laserklasse 3R |
| Selvnivelleringsområde: | typ. ± 8 % (ca. $\pm 4,8^\circ$) |
| Nivelleringsstid: | typ. 30 sek. |
| Nivelleringsindikator: | LED blinker |
| Strålediameter ¹ : | ca. 8 mm på apparatet |
| Strømforsyning: | 4 x 1,5 V monoceller type D (LR 20) |
| Driftstemperatur: | - 20° C ... + 50° C |
| Opbevaringstemperatur: | - 20° C ... + 70 °C |
| Stativtilslutninger: | 5/8« vandret og lodret |
| Vægt: | 2,7 kg |
| Lavspændingsindikering: | batteriindikator blinker/lyser |
| Lavspændingsafbrydelse: | apparatet kobler helt fra |

1) ved 21° celsius

2) under optimale atmosfæriske betingelser

3) langs akserne

OVERENSSTEMMELSESERKLÆRING

Vi,

Trimble Kaiserslautern GmbH

erklærer i enevansvar, at produktet

LL300,

som denne erklæring vedrører, er i overensstemmelse med følgende normer

EN 61000-4-2, 1995; EN 55011, 1998; EN 61000-4-3, 2002

i henhold til bestemmelserne i direktivet

Electromagnetic compatibility 89/336/EEC.

Kaiserslautern, 17.03.2004

Bernd Brieger
Direktør

| | |
|--|-----------|
| PARA A SUA SEGURANÇA | 61 |
| Observar obrigatoriamente | 61 |
| ELEMENTOS DO APARELHO | 62 |
| ALIMENTAÇÃO DE CORRENTE | 62 |
| Utilização de pilhas/pilhas recarregáveis | 62 |
| Duração de operação | 62 |
| Carregar as pilhas recarregáveis | 63 |
| COLOCAÇÃO EM FUNCIONAMENTO | 63 |
| Montagem do laser | 63 |
| Automática de nivelção e segurança de entrada | 63 |
| Operação manual/Operação de inclinação sobre um eixo | 63 |
| EXEMPLOS DE TRABALHOS | 64 |
| Determinação da altura do aparelho (AP) | 64 |
| Transferir fissura métrica/ponto de altura | 64 |
| Funcionamento vertical | 65 |
| Exactidão de nivelção | 65 |
| Influências na exactidão | 65 |
| Verificação de exactidão | 65 |
| PROTECÇÃO DO APARELHO | 66 |
| LIMPEZA E CONSERVAÇÃO | 66 |
| PROTECÇÃO AMBIENTAL | 66 |
| GARANTIA | 67 |
| DADOS TÉCNICOS | 67 |

PARA A SUA SEGURANÇA



**RADIAÇÃO LASER
EVITAR A IRRADIAÇÃO
DIRECTA DOS OLHOS
LASER DA CLASSE 3R**

- Não remover as placas de advertência no aparelho!
- O laser está submetido a classe 3R (máx. 5mW, 600..680 nm; DIN EN 60825-1:2001-11).
- Devido à radiação em feixe, observar e garantir a passagem da radiação à grande distância!
- Jamais olhar na radiação laser ou iluminar outra pessoa com este nos olhos! Isto é também válido a grandes distâncias do aparelho!
- Sempre instalar o aparelho de maneira que as pessoas não sejam irradiadas na altura dos olhos (atenção à escadas e no caso de reflexões).

Observar obrigatoriamente

- Instalar o aparelho no centro do campo de trabalho.
- No caso de distâncias a partir de 20 m, operar quando possível sobre um tripé.
- Realizar verificações de exactidão regulares.
- Um posicionamento estável é fundamento para uma operação segura.
- Manter limpas as superfícies de vidro no aparelho e no prisma de desvio.

ELEMENTOS DO APARELHO

Teclas do campo de comando

- 1 Tecla Lig-Desl
- 2 Botão manual

Indicações de controlo

- 3 Indicador de operação/nivelador
- 4 Indicador manual/(AP)de advertência
- 5 Indicador das pilhas

Elementos do aparelho

- 6 Receptor de infravermelho para controlo à distância
- 7 Cabeça de laser
- 8 Reentrâncias de direccionamento do eixo
- 9 Saída de radiação
- 10 Fole de borracha móvel
- 11 Alça de transporte
- 12 Tampa das pilhas
- 13 Conexões de tripé
- 14 Pés de borracha

ALIMENTAÇÃO DE CORRENTE

Antes da primeira colocação em funcionamento, caso ainda não ocorrido na fábrica, colocar as pilhas, respect., as pilhas recarregáveis. No caso de operação com pilhas recarregáveis, carregar as pilhas recarregáveis primeiramente. Vide a secção correspondente.



As pilhas de NiCd e NiMH podem conter reduzida quantidade de materiais poluentes.

Assegure-se de que as pilhas sejam carregadas antes da primeira colocação em funcionamento e após longos períodos sem ser utilizadas.

Somente utilize para o carregamento o aparelho de carregamento previsto conforme as especificações do fabricante.

As pilhas não devem ser abertas, descartadas por queima ou curto-circuitadas. Nestes casos existe o perigo de ferimentos devido a ignição, explosão, vazamento ou aquecimento das pilhas.

Observe as normas correspondentes dos respectivos países no caso de descarte.

Manter as pilhas fora do alcance das crianças. No caso de serem engolidas não forçar vômitos.

Chamar imediatamente um médico.

Colocar as pilhas/pilhas recarregáveis

Remover a tampa do compartimento de pilhas girando o fecho central de 90°. Colocar as pilhas/pilhas recarregáveis no compartimento de pilhas de maneira que o contacto negativo descansa sobre as molas espiraladas das pilhas. Colocar a tampa e fixar com o fecho central.



Quando do uso de pilhas alcalinas, o carregamento é impedido através de uma protecção mecânica. Somente o pacote de pilhas recarregáveis original permite um carregamento no aparelho. Pilhas recarregáveis de terceiros deverão ser carregadas externamente.

Duração do funcionamento

Quando do uso de pilhas alcalinas (AlMn) (Monocell LR 20), a duração de funcionamento é de aprox. 90 h em operação rotacional.

As pilhas recarregáveis de NiCd possibilitam um tempo de funcionamento de aprox. 45 h em operação rotacional.

Os seguintes factores diminuem a duração de funcionamento:

- Regulagens frequentes do posicionamento (vento, sacudidas);
- Temperaturas extremas;
- Pilhas recarregáveis velhas; carregamento frequente de pilhas recarregáveis ainda com carga completa (feito de memória).
- Uso de pilhas de diferente estado de carregamento.



Sempre trocar as pilhas/pilhas recarregáveis completamente. Jamais utilizar pilhas/pilhas recarregáveis de diferentes capacidades, se for possível empregar pilhas/pilhas recarregáveis **novas/recém carregadas de um fabricante.**

Um aviso quanto ao carregamento, respect., a troca de pilhas/pilhas recarregáveis, o indicador das pilhas 5 sinaliza primeiramente através de um piscar lento. Quando de descarregamento continuado, o LED acende continuamente antes que o aparelho desligue por completo.

Carregar os pilhas recarregáveis

O aparelho de carregar a partir da rede necessita aprox. 10 horas para carregar pilhas recarregáveis descarregadas. Para isso, inserir a ficha do aparelho de carregamento no plugue de carregamento do aparelho. As pilhas recarregáveis novas ou não utilizadas por um longo período de tempo somente fornecem a sua plena potência após cinco ciclos de carga e descarga.



As pilhas recarregáveis somente deverão ser carregadas, quando a temperatura do aparelho encontrar-se entre 10°C e 40°C. Um carregamento a temperaturas mais elevadas poderia avariar as pilhas recarregáveis. O carregamento a temperaturas mais baixas aumenta o tempo de carregamento e diminui a capacidade, o que leva à potência reduzida e a uma expectativa de vida muito baixa para a pilha recarregável.

COLOCAÇÃO EM FUNCIONAMENTO

Posicionar o aparelho horizontal ou verticalmente sobre um suporte estável ou através de conexão com tripé sobre um tripé ou suporte de parede na altura desejada. O aparelho detecta automaticamente o modo operacional horizontal ou vertical, conforme o estado do aparelho quando do accionamento.

Premindo-se a tecla Lig-Desl 1, o aparelho liga e todos os indicadores de LED, 3, 4, 5, acendem por 3 segundos. A nivelção inicia imediatamente. Premir a tecla novamente para desligar. Durante o processo de nivelção o rotor pára, o indicador do nivelador 3 fica intermitente (1x por segundo). O aparelho está nivelado quando a radiação de laser acende e o indicador do nivelador 3 não mais fica intermitente. O indicador do nivelador permanece constantemente aceso por 5 minutos, apresentando-se novamente intermitente (1x a cada 4 segundos) para indicar que o laser trabalha em operação automática.

Se o aparelho está posicionado inclinado de mais do que 8 % (intervalo de autonivelção), o laser e o indicador de nivelção ficam intermitentes em ciclos de segundos. O aparelho deverá ser, então, realinhado.

Automática de nivelção, segurança de entrada

Após o accionamento, o aparelho compensa automaticamente ondulações no seu intervalo de autonivelção de aprox. 8 % ($\pm 0,8$ m/10 m), conquanto o rotor ainda esteja parado.

Após a nivelção, o laser monitora a posição. A segurança de entrada será activada, após cada nova nivelção, aprox. 5 min após a nivelção, quando o laser trabalhar com 600 min⁻¹ em operação horizontal.

No caso de uma modificação de posição > 30 mm / 10 m, esta falha dispara a denominada segurança de entrada, para evitar que grandes inclinações levem a grandes erros. Nesta ocasião, o rotor pára, o feixe de laser desliga, o LED de manual/advertência 4 fica intermitente (2x por segundo). O aparelho desliga e torna a ligar e, a seguir, verifica e, respect., realinha a altura original.

Operação manual/Operação de inclinação sobre um eixo

Com o auxílio do controlo à distância, respect., da combinação receptor-comando à distância, o aparelho poderá ser comutado, premindo-se uma vez, brevemente, a tecla manual (2) da operação automática de autonivelção em operação manual, o que é sinalizado pelo LED vermelho 4 que fica intermitente em ciclos de segundo. Neste modo operacional, o eixo Y poderá ser inclinado, premindo-se as teclas direccionais „Para cima/Para baixo“ no aparelho, respect., o comando à distância e, adicionalmente, o eixo X do laser, premindo-se as teclas direccionais „À direita/À esquerda“ no comando à distância.

Premindo-se de novo, brevemente, a tecla manual, quando de montagem horizontal, o aparelho comuta para a operação de inclinação de eixo único, o que é sinalizado, ao mesmo tempo, pela intermitência dos LEDs verde e vermelho 3/4 em ciclos de segundo (no modo vertical será comutado de retorno directamente de manual para a operação de autonivelção. Neste modo operacional, o eixo Y poderá ser inclinado com o auxílio das teclas direccionais „Para cima/Para baixo“ no aparelho ou do controlo à distância, enquanto o eixo X continua a trabalhar em operação horizontal automática (p. ex. quando da montagem de tectos ou rampas inclinadas, em

declive). Se o aparelho trabalha com 600 min^{-1} , é também activa a segurança de entrada, isto é, a montagem do aparelho continuará a ser monitorada, apesar de que o eixo Y esteja inclinado manualmente.

Premindo-se de novo, brevemente, a tecla manual, o aparelho comuta de retorno para a operação de autonivelção automática, o que será indicado pelo LED vermelho 3.

Exemplos de trabalho

Determinação da altura do aparelho (AP)

A altura do aparelho (AP) é a altura do feixe de laser. Ela é determinada através da adição da leitura da régua de medição a uma marcação de altura ou a uma altura conhecida.

Montagem do laser e posicionamento da régua de medição com o receptor a um pino de altura ou de referência conhecido (NN).

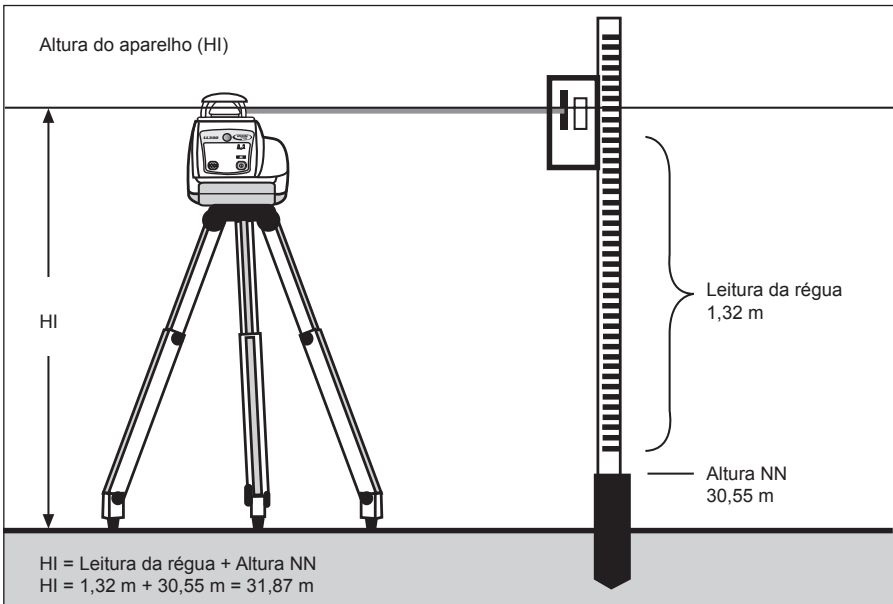
Ajustar o receptor na posição "na altura" do raio laser.

Adicionar a leitura da régua de medição à altura NN conhecida, para determinar a altura do laser.

Exemplo:

| | | |
|------------------|---|---------|
| Altura NN | = | 30,55 m |
| Leitura da régua | = | +1,32 m |
| Altura do laser | = | 31,87 m |

Utilizar a altura do laser como referência para todas as outras medições de altura.



Transferir a fissura métrica/ponto de altura

Posicionar o aparelho no modo operacional horizontal (p.ex. com um tripé), de maneira que o feixe de laser se encontre na altura desejada.

Girar, a seguir, o prisma manualmente para a posição alvo desejada ou utilizar um dos modos operacionais de rotação.

Quando de trabalhos sem tripé, instalar o aparelho num suporte estável e determinar a diferença de altura entre o feixe de laser e o ponto de altura desejado com ajuda de um metro. Após a rotação do prisma, levar para a posição alvo a diferença de altura anteriormente mensurada.

Funcionamento vertical

Nivelar o laser sobre um tripé de nivelção primeiramente em operação horizontal.

Comutar com o botão manual para o modo manual e montar sobre o tripé através da tomada roscada vertical.

Após a montagem vertical do laser, o plano vertical do raio do laser poderá ser orientado para o centro do receptor através de rotação do laser.

Para evitar erros de offset, quando destes trabalhos, o receptor deverá ser posicionado aproximadamente na altura do laser.

Com as teclas direccionais „para cima/para baixo“ do controlo à distância poderá ser executado um ajuste fino.

EXACTIDÃO DE NIVELAÇÃO

Influências na exactidão

A exactidão de nivelção possível é influenciada por vários factores:

- Exactidão de fábrica;
- Temperatura do aparelho;
- Influências ambientais, tais como chuva, vento e temperatura.

A maior influência sobre a exactidão de medição é devida à temperatura ambiental. Especialmente, **diferenças verticais de temperatura** (camadas de ar) nas proximidades do solo, desviam o feixe de laser, de maneira similar à tremulação sobre rodovias com asfalto quente.

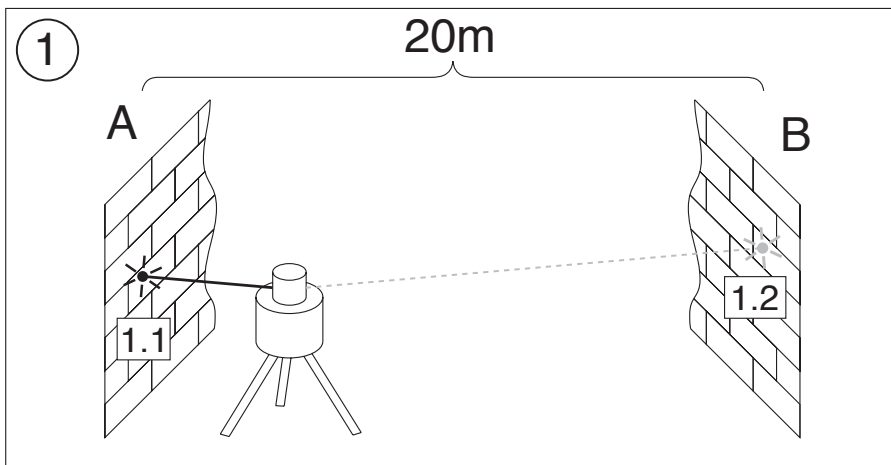


Isto também é válido para todos os aparelhos ópticos de medição, tais como o teodolito ou aparelho de nivelção!

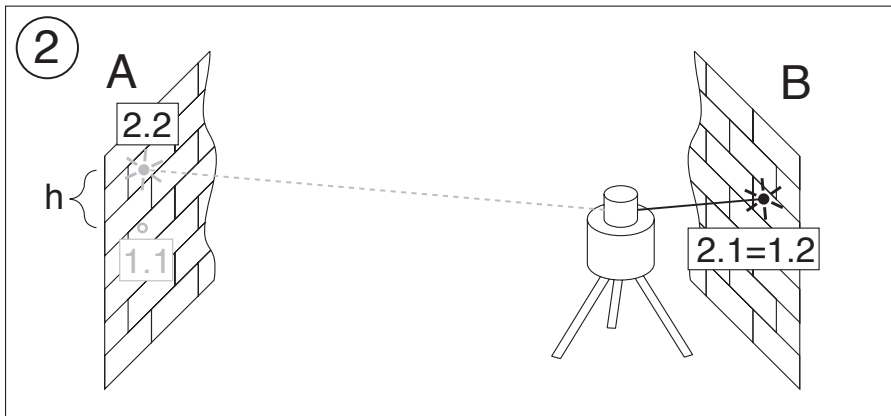
Verificação da exactidão

Para isso, é necessário um percurso livre de 20 m de comprimento entre duas paredes (A e B) e a realização de uma medição de viragem sobre ambos os eixos X e Y em operação horizontal (4 medições).

Posicione o laser horizontalmente a um suporte plano ou sobre um tripé nivelado próximo a uma parede (A) e dirija o ponto de laser na direcção do eixo X para a parede próxima (A). Após a nivelção, a altura (centro do feixe) será registrada na parede. Girar, então, o aparelho de 180°, deixar nivelar e marcar o centro do feixe na parede oposta (B).



A seguir, posicione o aparelho nas proximidades da parede B. Dirija o feixe de laser do aparelho de nivelção na direcção do eixo X para a parede próxima B, de maneira que a altura marcada anteriormente (a partir da medição da parede A) seja realizada. Gire o aparelho de 180°, deixe-o nivelar e marque o centro do feixe na parede A. A diferença (h) de ambos os pontos aqui marcados resulta, então, no desvio real do aparelho.



Se o aparelho se encontrar no limite da exactidão de fábrica ($\pm 1,0$ mm em 10 m), o desvio máximo em relação à posição zero, em $20 + 20 = 40$ m, é de 4 mm.

Repetir este procedimento da mesma maneira para o eixo X negativo e para os eixos Y negativo e positivo, de maneira que a altura em todas as direcções sejam mensuradas sobre o mesmo ponto da parede.

PROTECÇÃO DO APARELHO

Não expor o aparelho a temperaturas extremas e oscilações de temperatura (não deixar dentro do automóvel).

O aparelho é muito robusto. Apesar disso, dever-se-á tratar cuidadosamente os aparelhos de medição. Após acções externas fortes, verificar sempre, antes de quaisquer trabalhos, a exactidão de nivelção.

O aparelho poderá ser empregado em áreas internas e externas.

LIMPEZA E CONSERVAÇÃO

As sujidades das superfícies de vidro na abertura de saída 9 influenciam decisivamente na qualidade da radiação e no alcance. Limpar com cotonetes. Prestar atenção a fiapos.

Manter o fole de borracha 10 especialmente limpo. Limpar as sujidades com pano húmido e macio. Não utilizar nenhum detergente e solvente fortes. Deixar o aparelho molhado secar ao ar.

PROTECÇÃO AO MEIO AMBIENTE

O aparelho, acessórios e embalagem deverão ser submetidos à reciclagem que não polua o meio ambiente.

Este manual é fabricado com papel reciclado livre de cloro. Todas as partes de material plástico são identificadas para uma reciclagem por triagem.



Não jogar as pilhas/pilhas recarregáveis usadas no lixo doméstico, no fogo ou na água, mas sim descartar sem poluir o meio ambiente.

GARANTIA

O aparelho possui, conforme as determinações legais, 12 meses de garantia quanto ao material e falhas de fabricação.

Por danos que ocorram devido ao uso de um aparelho desajustado, não será assumida nenhuma responsabilidade.



Executar antes do início dos trabalhos, sempre um **teste de exactidão** conforme a secção de mesmo nome.

A garantia é extinta com a abertura do aparelho ou a remoção da placa de identificação.

DADOS TÉCNICOS

| | |
|--|---|
| Exactidão de medida ^{1,3} : | < ± 18 arc seconds, < ± 2,6 mm/30m |
| Rotação: | 600 ¹ /min. |
| Sector de trabalho ¹ : (diâmetro) | 400 m |
| Tipo de laser: | laser de diodo vermelho 635 nm |
| Potência do laser: | <5 mW, Classe do laser 3R |
| Intervalo de autonivelção: | tip. ± 8 % (aprox. ± 4,8°) |
| Tempo de nivelção: | tip. 30 s |
| Indicador de nivelção: | LED intermitente |
| Diâmetro da radiação ¹ : | aprox. 8 mm no aparelho |
| Alimentação de corrente: | 4 x 1,5 V monocélulas do tipo D (LR 20) |
| Temperatura de serviço: | - 20° C ... + 50° C |
| Temperatura de armazenamento: | - 20° C ... + 70 ° C |
| Conexões de tripé: | 5/8» horizontal e vertical |
| Peso: | 2,7 kg |
| Indicador de baixa tensão: | Indicador de pilhas intermitente/acende |
| Desligagem de tensão baixa: | O aparelho desliga completamente |

1) a 21° Celsius

2) em condições atmosféricas óptimas

3) ao longo dos eixos

DECLARAÇÃO DE CONFORMIDADE

Nós da

Trimble Kaiserslautern GmbH

Declaramos em responsabilidade exclusiva que o produto

LL300,

sobre o qual esta declaração diz respeito, está de acordo com as seguintes normas

EN 61000-4-2, 1995; EN 55011, 1998; EN 61000-4-3, 2002

Segundo as determinações da directriz

Compatibilidade electromagnética 89/336/CEE.

Kaiserslautern, 17.03.2004

Bernd Brieger
Diretor executivo

| | |
|--|----|
| FOR DIN SIKKERHET | 68 |
| Ta ubetinget hensyn til | 68 |
| APPARATELEMENTENE | 69 |
| STRØMFORSYNING | 69 |
| Sette inn batterier/akkumulatører | 69 |
| Driftsvarighet | 69 |
| Lade opp akkumulatører | 70 |
| IGANGSETNING | 70 |
| Laseroppbygging | 70 |
| Nivelleringsautomatikk og trinnsikring | 70 |
| Manuell drift/enakset-krengningsdrift | 70 |
| ARBEIDSEKSEMPLER | 71 |
| Bestemmelse av apparathøyden (HI) | 71 |
| Meterriss/overdra høydepunktet | 71 |
| Vertikaldrift | 72 |
| NIVELLERINGSNØYAKTIGHET | 72 |
| Nøyaktighetsinnflytelser | 72 |
| Nøyaktighetskontroll | 72 |
| APPARATVERN | 73 |
| RENGJØRING OG PLEIE | 73 |
| MILJØVERN | 73 |
| GARANTI | 73 |
| TEKNISKE DATA | 74 |

TIL DIN SIKKERHET



LASERSTRÅLING
VÆR SÅ VENNLIG Å UNNVIKE
ØYENES DIREKTE BESTRÅLING
3R KLASSENS LASER

- Ikke fjern varselskiltene på apparatet!
- Laseren underligger klasse 3R (maks. 5mW, 600..680 nm; DIN EN 60825-1:2001-11).
- På grunn av den konsentrerte strålen, ta hensyn til strålegangen i større avstand og sikre den!
- **Se aldri** inn i laserstrålen eller lys andre personer i øynene! Dette gjelder også for større avstand fra apparatet
- Still apparatet alltid opp slik at personer **ikke** får strålen i øynene (Gi akt på trapper og ved refleksjoner).

Ta ubetinget hensyn til

- Still apparatet opp i sentrum av arbeidsfeltet
- For avstander over 20 m, bruk apparatet helst på stativet
- Gjennomfør regelmessige nøyaktighetskontroller
- En stabil stand er grunnlaget for en sikker bruk
- Hold glassflatene på apparatet og avbøyningsprismaet rene

APPARATELEMENTENE

Tastene på betjeningsfeltet

- 1 På-av-taste
- 2 Manuell tast

Kontrolldisplayer

- 3 Drifts-/nivelleringsdisplay
- 4 Manuell-/ HI-varseldisplay
- 5 Batteridisplay

Apparatelementer

- 6 Infrarød mottager for fjernstyring
- 7 Laserhode
- 8 Akseljusteringsriller
- 9 Stråleutgangen
- 10 Bevegelig gummibelg
- 11 Bærehåndtak
- 12 Batterilokket
- 13 Stativtilkoplinger
- 14 Gummiføtter

STRØMFORSYNING

Sett inn batterier henholdsvis batterier som kan lades opp på nytt (akkumulatører) før den første bruken, hvis det ikke alt er blitt gjort i fabrikkens som produserer apparatet. Ved akkumulatør-drift lad først opp akkumulatørene. Se avsnittet som beskriver dette.



NiCd- og NiMH-batteriene kan inneholde små mengder av skadestoffer. Pass på at batteriene lades før første bruk og etter lengre tid ute av drift.

Bruk kun de bestemte ladeapparatene til opplading og følg angivelsene til produsenten.

Batteriene må ikke åpnes, brennes eller kortsluttes. Det består da fare for skade pga. tenning, eksplosjon, utrenning eller oppvarming av batteriet.

Vær oppmerksom på forskriftene til hvert land med hensyn til avfallsdumping.

Oppbevar batteriene utilgjengelig for barn. Ikke prøv å tvinge frem oppkast ved svelging. Kontakt lege øyeblikkelig.

Sette inn batterier/ akkumulatører

Lokket til batterirommet blir tatt av med en 90°-dreining på sentralforriglingen. Batteriene/ akkumulatørene legges slik inn i batterirommet at minuskontakten ligger på batteri-spiralfjæren. Sett på lokket og steng sentralforriglingen.



Ved bruk av alkali-batterier blir en oppladning forhindret ved hjelp av en mekanisk sikring. Bare den originale akkumulatør-pakken tillater en oppladning i apparatet. Ikke originale akkumulatører må bli oppladet eksternt.

Bruksvarighet

Ved bruk av alkali (AlMn) batterier (babyelle LR 16) er bruksvarigheten i rotasjonsdrift på ca. 90 h.

NiCd-akkumulatører gjør det mulig med en bruksvarighet på ca. 45 h i rotasjonsdrift.

Følgende faktorer minsker bruksvarigheten:

- ofte etterregulering av stillingen (vind, rystelser);
- ekstreme temperaturer;
- gamle akkumulatører; ofte oppladning av nesten fulle akkumulatører (memory-effekt).
- bruk av batterier med forskjellig oppladning.



Bytt alltid ut batterier/akkumulatører komplett. Bruk aldri batterier/akkumulatører med forskjellige kapasiteter, etter mulighet sett kun inn **nye/ny oppladde** batterier/akkumulatører **til en** produsent.

En henvisning til oppladning henholdsvis utveksling av batterier/akkumulatører gir displayet til batteriet 5 først ved langsom blinking. Ved ytterligere utladning lyser LED kontinuerlig, før apparatet blir komplett slått av.

Opplade akkumulatører

Nettladeapparatet som følger med trenger ca. 10 timer på å lade opp tomme akkumulatører. For dette stikkes kontaktladeapparatet inn i ladehylsen på apparatet. Nye henholdsvis akkumulatører som ikke er brukt på lengere tid bringer den fulle ytelsen først etter fem oppladnings- og avladningsykluser.



Akkumulatører skal bare bli ladet opp, når temperaturen til apparatet ligger mellom 10°C og 40°C. En opplading ved høyere temperaturer kan skade akkumulatorene. Oppladning ved lavere temperaturer forlenger ladetiden og minsker kapasiteten, dette fører til redusert ytelse og til en lavere holdbarhet til akkumulatorene.

IGANGSETNING

Plasser apparatet horisontalt eller vertikalt på et stabilt underlag eller ved bruk av stativtilkoplingen på et stativ eller veggholder i den høyden man ønsker. Apparatet erkjenner selvstendig om driften er horisontal eller vertikal, alt etter stillingen til apparatet, når det blir slått på.

Når på-av tasten 1 blir trykt, slår apparatet seg på og alle LED-displayene 3, 4, 5 lyser opp for 3 sekunder. Nivelleringen begynner med en gang. For å slå av apparatet, trykk en gang til på tasten. Under nivelleringen står rotoren stille, nivelleringsdisplayet 3 blinker (1x pr. sek.). Apparatet er nivellert inn, når laserstrålen lyser og nivelleringsdisplayet 3 ikke blinker lenger. Nivelleringsdisplayet lyser konstant i 5 min., da viser det gjennom ny blinking (1x alle 4 sek.) at laseren arbeider i automatisk drift.

Står apparatet mer enn 8 % skjevt (selvnivelleringsområdet), blinker laseren og nivelleringsdisplayet i sekundtakt. Apparatet må da bli sentrert inn på nytt.

Nivelleringsautomatikk, trinnsikring

Etter at man har slått på apparatet, utligner apparatet selvstendig ujevnheter i sitt selvnivelleringsområde fra ca. 8 % ($\pm 0,8$ m/10 m), hvorved rotoren fortsatt står stille.

Etter inn-nivelleringen overvåker laseren fortsatt situasjonen. Trinnsikringen blir etter hver første nivellering, ca. 5 min. etter inn-nivelleringen aktivert, hvis laseren arbeider med 600 min^{-1} i horisontal drift.

Ved en posisjonsforandring $> 30 \text{ mm} / 10 \text{ m}$ utløser denne funksjonsvikten den såkalte trinnsikringen, for å forhindre at større skjevheter fører til høydefeil. Her stopper rotoren, laserstråler slår seg av, manuell-/Hl-advarels LED 4 blinker (2x pr. sek.). Slå av apparatet og slå det på igjen, deretter kontroller den opprinnelige høyden henholdsvis still det inn på nytt.

Manuell drift/enakset-krengningsdrift

Med hjelp av fjernbetjeningen henholdsvis mottager-fjernbetjeningskombinasjonen kan apparatet ved et kort trykk på tasten for manuell drift på laseren (2) bli koplet om fra automatisk selvnivelleringsdrift til manuell drift, dette blir signalisert ved at LED 4 blinker rødt i sekundtakt. I denne driftsarten kan Y-aksen ved å trykke på piltasten „opp/ned“ på apparatet eller på fjernbetjeningen og i tillegg X-aksen til laseren ved å trykke på piltasten "høyre/venstre" på fjernbetjeningen bli skrådd.

Et nytt kort trykk på tasten for manuell drift under oppbyggingen for horisontal drift, kopler apparatet om til enakset-krengningsdrift, dette blir signalisert ved at LED 3/4 samtidig blinker rødt og grønt i sekundtakt (i vertikalmodus kopler man fra manuelt direkte tilbake til selvnivelleringsdrift). I denne driftstypen kan Y-aksen med hjelp av piltastene „opp/ned“ på apparatet eller på fjernbetjeningen bli skrådd, mens X-aksen fortsatt arbeider i automatisk horisontal drift (f.eks. ved å bygge inn skrådde, avhengte tak eller oppkjørselen). Arbeider apparatet med 600 min^{-1} , er også trinnsikringen aktiv, dvs. at oppbyggingen til apparatet fortsatt blir overvåket selv om Y-aksen er manuell skrådd.

Ved et nytt kort trykk på tasten for manuell drift kopler apparatet seg tilbake til driften med automatisk selvnivellering, dette blir vist med den grønne LED 3.

ARBEIDSEKSEMPLER

Bestemmelse av apparathøyden (HI)

Apparathøyden (HI) er høyden til laserstrålen. Den formidles ved addisjon av nivellerstangavlesningen til en høydemarkering eller en kjent høyde.

Oppbygging av laseren og posisjonering av nivellerstangen med mottakeren på en kjent høyde- eller referansepinne (NN).

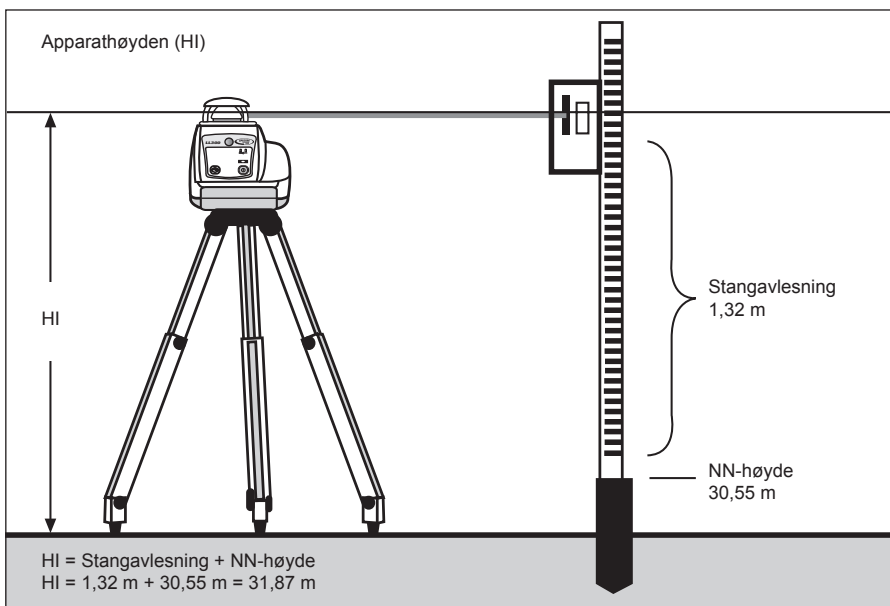
Sentrere mottakeren på posisjonen "På høyde" til laserstrålen.

Adder nivellerstangavlesningen med kjent NN-høyde, for å finne ut laserhøyden.

Eksempel:

| | | |
|----------------|---|---------|
| NN-høyde | = | 30,55 m |
| Stangavlesning | = | +1,32 m |
| Laserhøyde | = | 31,87 m |

Bruk laserhøyden som referanse for alle andre høydemålinger.



Overføre meterrisset/høydepunktet

Still apparatet opp slik i horisontaldriftsart (f.eks. ved hjelp av veivstativ) at laserstrålen befinner seg på den ønskede høyden.

Deretter dreies prismaet enten med hånden til det målet som blir ønsket eller bruk en av typene for rotasjonsdrift.

Ved arbeider uten stativ, still opp apparatet på et stabilt underlag og finn ut høydedifferansen mellom laserstrålen og det ønskede høydepunktet med hjelp av et metermål. Etter prismaet blir dreiet til målet, anlegg høydedifferensene til høyden som ble målt på forhånd.

Vertikaldrift

La laseren inn-nivelleres i horisontaldrift på et nivellert stativ.

Med manuelltasten koples det om til manuell modus og bygg opp med hjelp av vertikalgjengeopptaket på stativet.

Etter den vertikale oppbyggingen av laseren kan det vertikale laserstrålenivået rettes ut på mottakermidten ved å fordreie laseren.

For å unngå offsetfeil under disse arbeidene bør mottakeren brukes omtrent på høyde med laseren.

Med piltastene „Opp/ned“ – på fjernkontrollen kan det gjennomføres en finutretting.

NIVELLERINGSNØYAKTIGHET

Innflytelser på nøyaktigheten

Den mulige nøyaktigheten til nivelleringen blir påvirket av mange faktorer:

- Nøyaktigheten fra produsenten;
- Temperaturen til apparatet;
- Omgivelsesinnflytelser som regn, vind og temperatur.

Den største innflytelsen på nøyaktigheten til målingen har omgivelsestemperaturen. Spesielt **vertikale temperaturforskjeller** (luftlag) i nærheten av bakken bøyer laserstrålen feil av, det er det samme som når det flimrer over en varm asfaltgate.

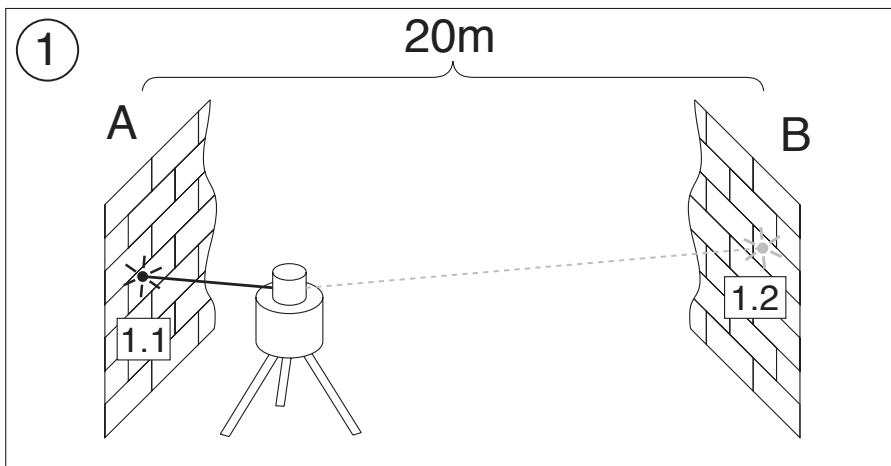


Dette gjelder for alle optiske måleapparater som teodolitt eller nivelleringsapparat!

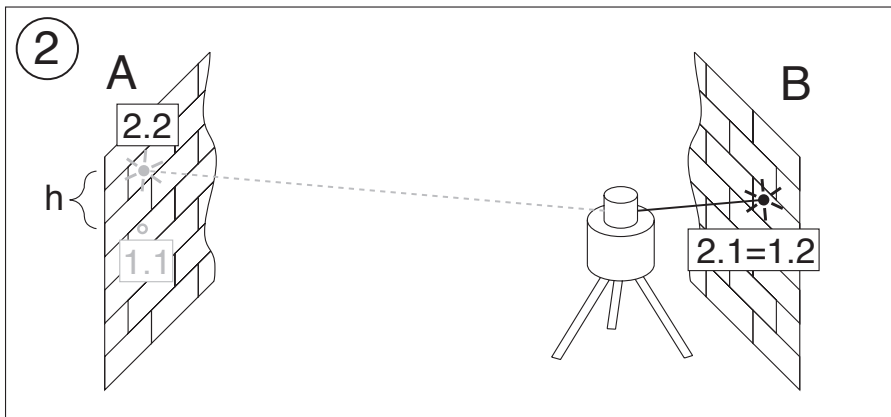
Nøyaktighetskontroll

For dette trenger man en åpen strekning på 20 m mellom to vegger (A og B) og en omslagsmåling gjennomføres over begge aksene X og Y i horisontaldrift (4 målinger).

Du plasserer laseren horisontalt på et rett underlag eller på et stativ som er nivellert inn i nærheten av en vegg (A) og du retter laserpunktet i retning X-aksen til den nærmeste veggen (A). Etter at det er nivellert inn, blir høyden (midten på strålen) markert (med hjelp av mottaker). Deretter dreies apparatet 180°, niveller igjen og marker midten på strålen på veggen (B) som er lenger borte.



Nå plasserer du apparatet i nærheten av veggen (B). Du retter laserstrålen til det nivellerte apparatet i retning av X-aksen til veggen B som er nærmest, slik at den nøyaktig høyden som er blitt markert på forhånd (fra målingen fra vegg A) er realisert. Du dreier nå apparatet 180°, lar det bli nivellert og du markerer midten på strålen på vegg A. Differansen (h) til de to markerte punktene gir nå den virkelige avvikelsen til apparatet.



Ligger apparatet på grensen til garantien fra produsenten ($\pm 1,0$ mm på 10 m) så er ved $20 + 20 = 40$ m den maksimale avvikelsen fra nullstillingen 4 mm.

Dette blir gjentatt på samme måte for den negative X-aksen og for den positive og negative Y-aksen, slik at høyden blir målt over alle 4 retninger på det samme punktet på veggen.

APPARATVERN

Sett ikke apparatet ut for ekstreme temperaturer og temperatursvingninger (la det ikke ligge i bilen).

Apparatet er meget robust. Alikevel skal man behandle måleapparatene forsiktig. Etter sterkere ytre innvirkninger skal man alltid, før arbeidene starter, kontrollere nøyaktigheten til nivelleringen.

Apparatet kan bli brukt både inne og ute.

RENGJØRING OG PLEIE

Forurensningene på glassflatene på utgangsåpningen 9 har innflytelse på strålekvaliteten og er avgjørende for rekkevidden. Rengjøres med hjelp av en pinne med vann. Pass på at det ikke danner seg noe lo.

Hold gummibalgen 10 spesielt ren. Fjern forurensningene bort med en fuktig myk fille. Bruk ikke noen aggressive rengjørings- og løsemidler. La fuktig apparat tørke i luften.

MILJØVERN

Apparatet, tilbehøret og innpakningen skal bli tilført en miljøvennlig resirkulering.

Denne bruksveiledningen er trykt på klorfritt recycling-papir. Alle deler av kunststoff er kjenetegnet for sorteringsren recycling.



Brukte batterier/akkumulatorer kastes ikke i søppelen, på bålet eller i vannet, men resirkuleres miljøvennlig.

GARANTI

Apparatet har i overensstemmelse med de lovlige bestemmelser 12 måneders garanti på material og produksjonsfeil.

For skader som oppstår ved bruk av et dejustert apparat, blir det ikke overtatt noe ansvar.



Før arbeidet starter, gjennomfør alltid en **nøyaktighetskontroll** i overensstemmelse med avsnittet med samme overskrift.

Garantien faller bort, når man åpner apparatet eller fjerner typeskiltene.

TEKNISKE DATA

| | |
|----------------------------------|-------------------------------------|
| Målenøyaktighet ^{1,3} : | < ± 18 arc seconds, < ± 2,6 mm/30m |
| Rotasjon: | 600 ¹ /min. |
| Arbeidsområde: (Diameter) | 400 m |
| Lasertype: | rød diodelaser 635 nm |
| Laserytelse: | <5 mW, laserklasse 3R |
| Selvnivelleringsområde: | type ± 8 % (ca. ± 4,8°) |
| Nivelleringsstid: | type 30 sec. |
| Nivelleringsdisplay: | LED blinker |
| Strålediameter ¹ : | ca. 8 mm på apparatet |
| Strømforsyning: | 4 x 1,5 V rundceller type D (LR 20) |
| Driftstemperatur: | - 20° C ... + 50° C |
| Lagertemperatur: | - 20° C ... + 70 ° C |
| Stativtilkopling: | 5/8" horisontal og vertikal |
| Vekt: | 2,7 kg |
| Lavspenningsdisplay: | Batteridisplayet blinker/lyser |
| Lavspenningsavkopling: | Apparatet blir slått helt av |

1) ved 21° Celsius

2) ved optimale atmosfæriske betingelser

3) langs aksene

KONFORMITETSERKLÆRING

Vi

Trimble Kaiserslautern GmbH

Erklærer etter eget ansvar at produktet

LL300

for hvilket denne erklæringen hviler på, stemmer overens med følgende normer

EN 61000-4-2, 1995; EN 55011, 1998; EN 61000-4-3, 2002

og er i overensstemmelse med bestemmelsene i retningslinjen

Electromagnetic compatibility 89/336/EEC.

Kaiserslautern, 17.03.2004

Bernd Brieger
Forretningsfører

| | |
|--|----|
| TURVALLISUUTTA KOSKEVIA SEIKKOJA | 75 |
| Huomioitava ehdottomasti | 75 |
| KOJEEN OSAT | 76 |
| VIRRRAN SYÖTTÖ | 76 |
| Paristojen/akun käyttö | 76 |
| Käyttöaika | 76 |
| Akun lataus | 77 |
| KÄYTTÖÖNOTTO | 77 |
| Laserin pystytys | 77 |
| Automaattitasaus ja kallistuman varoitus | 77 |
| Manuaalikäyttö/Yhden kaltevuuden käyttö | 77 |
| KÄYTÖN ESIMERKIT | 78 |
| Kojekorkeuden määrittäminen (HI) | 78 |
| Korkeuksien mittaaminen | 78 |
| Linjaustoiminnon käyttö | 78 |
| TARKKUUUS | 79 |
| Tarkkuuteen vaikuttavia tekijöitä | 79 |
| Kalibroinnin tarkistus | 79 |
| YLLÄPITO JA HUOLTO | 80 |
| PUHDISTUS JA HOITO | 80 |
| YMPÄRISTÖNSUOJELU | 80 |
| TAKUU | 80 |
| TEKNISET TIEDOT | 81 |

TURVALLISUUTTA KOSKEVIA SEIKKOJA



**LASERSÄTEILYÄ
VÄLTÄ SILMIEN SUORAA
SÄTEILYTYSTÄ
LUOKAN 3R LASERSÄDE**

- Älä poista laitteesta varoitustarroja!
- Laser kuuluu luokkaan 3R (maks. 5mW, 600..680 nm; DIN EN 60825-1:2001-11).
- Säde on terävä ja pienikokoinen, varo myös säteen heijastuksia!
- Älä koskaan katso lasersäteeseen tai suuntaa sädettä kenenkään silmiä kohti!
- Määritä kojekorkeus sellaiseksi, ettei lasersäde kohdistu kenenkään silmien korkeudelle

Huomioitava asioita

- Aseta laite työalueen keskelle
- Kolmijalan tai seinätelineen käyttö on suositeltavaa
- Tarkista kalibrointi säännöllisesti
- Vakaa alusta on tarkan käytön perusta
- Lasipinnat laitteessa ja prismassa on pidettävä puhtaina

LAITE-ELEMENTIT

Kytkinpaneeli

- 1 Virtakytkin
- 2 Manuaalipainike

Merkkivalot

- 3 Tasauksen merkki
- 4 Manuaali-/Kallistuman varoitusmerkki
- 5 Pariston varaus

Laiteen osat

- 6 Infrapunavastaanotin kauko-ohjaukselle
- 7 Roottorin suoja
- 8 Linjausurat
- 9 Säteen ulostulo
- 10 Elastinen kumipalje
- 11 Kantokahva
- 12 Patterikotelon kansi
- 13 5/8x 11 kierre
- 14 Kumitassut

VIRRANHANKINTA

Ennen ensimmäistä käyttöönottoa aseta laitteeseen paristot tai ladattavat akut. Akkukäytössä akut on ladattava ennen laitteen käyttöönottoa. Ks. siihen liittyvä kappale.



NiCd- ja NiMH-voivat sisältää pieniä määriä haitallisia aineita.

Varmista, että paristot on ladattu ennen ensimmäistä käyttöä ja pitempiaikaisen käyttötauan jälkeen.

Lataa paristot vain valmistajan suosittelemilla latauslaitteilla.

Paristoja/akkuja ei saa aukaista, hävittää polttamalla eikä kytkeä oikosulkuun. Tämä voi aiheuttaa tulipalon, räjähdyksen, vuodon tai kuumenemisen ja voi siten aiheuttaa onnettomuuksia.

Huomioi voimassa olevat jätehuoltomääräykset.

Paristot on pidettävä lasten ulottumattomissa. Nielaistua paristoa ei tule poistaa oksentamalla, vaan ota heti yhteys lääkäriin.

Paristojen/akkujen asennus

Irrota paristolokeron kansi kääntämällä lukkoosalpaa 90° vastapäivään. Laita paristot/akut paristolokeroon siten, että miinusnapa on vasten kierukkajousia. Laita kansi kiinni ja käännä lukkoosalpaa 90° myötäpäivään.



Alkaaliparistoja käytettäessä lataus estyy mekaanisella varokkeella. Vain alkuperäisakkupaketti sallii latauksen laitteessa. Muut akut on ladattava ulkopuolelta.

Toiminta-aika

Alkaali (AlMn) pattereita käytettäessä (LR 20 kenno) toiminta-aika on noin 90 h, roottori pyörii.

NiCd-akut mahdollistavat noin 45 h käytön kun roottori pyörii.

Seuraavat tekijät lyhentävät toiminta-aikaa:

- jatkuva tasausmoottorin käyttö (tuuli, tärinät);
- suuret lämpötilaerot;
- vanhentuneet akut; peräkkäiset akkujen lataukset niiden ollessa lähes täysiä (muistivaikutus).
- patterien käyttö, kun niiden varaus tilanne on erilainen. Osa uusia, osa vanhoja paristoja



Vaihda aina kerralla kaikki patterit/akut. Älä koskaan käytä pattereita/akkuja, joiden kapasiteetti on erilainen.

Pariston varausnäyttö 5 ilmaisee hitaalla vilkkumisella ensiksi sen, että patterit/akut tulisi ladata tai vaihtaa. LED palaa jatkuvasti, kun virta on loppumaisillaan, ennen kuin laite kytkeytyy kokonaan pois päältä.

Akkujen lataus

Akkujen lataus tyhjästä täyteen vie n. 10 tuntia. Kytke latauslaitteistoke laitteeseen ja laturin johto verkkovirtaan. Uudet tai pitkään aikaan käyttämättä olleet akut toimivat tehokkaasti vasta n. viiden lataus- ja purkujakson jälkeen.



Akut tulisi ladata vain, jos laitteen lämpötila on välillä 10°C ja 40°C. Lataus korkeammissa lämpötiloissa saattaa vaurioittaa akkuja. Lataus alemmissa lämpötiloissa pidentää latausaikaa ja pienentää kapasiteettia, mikä johtaa vähentyneeseen tehoon ja akkujen pienempään käyttökestävyyteen.

LASERIN KÄYTTÖONOTTO

Aseta laite vaaka- tai pystysuoraan vakaalle alustalle kolmijalalle tai seinätelineelle haluamallesi korkeudelle. Laite tunnistaa automaattisesti taso- tai linjaukset käytettävän aina laitteen asennosta riippuen, kun virta kytketään päälle.

Kun painat virtakytkintä 1, laite on päällä ja kaikki LED-näytöt 3, 4, 5 palavat 3 sekunnin ajan. Tasaus alkaa heti. Laitteen sammutus, paina näppäintä 1 uudelleen. Tasausprosessin aikana roottori ei pyöri, tasausnäyttö 3 vilkkuu (kerran sekunnissa). Laite on tasannut itsensä, kun lasersäde syttyy eikä tasausnäyttö 3 enää vilku. Tasausnäytön valo palaa 5 minuutin ajan, ja sen jälkeen vilkahtamalla 4 sekunnin välein ilmoittaen, että laser toimii automaattitasauksella.

Jos laite on enemmän kuin 8 % kallellaan (automaattitasausalue), laser ja tasausnäyttö vilkkuvat kerran sekunnissa. Laite on sitten tasattava karkeasti uudelleen.

Automaattitasaus, korkeuden muutosvaroitus

Kun virta on kytketty päälle laite tasaa itsensä automaattisesti itetasausalueella, joka on noin 8 % ($\pm 0,8$ m/10 m). Mikäli laite ei ole voi tehdä automaattitasaukselta roottori pysähtyy.

Tasauksen jälkeen laser valvoo tasausta. Korkeuden muutosvaroitus aktivoituu noin 5 minuutin kuluttua jokaisen uuden tasaustoiminnon jälkeen, jos roottori pyörii nopeudella 600 rpm tasolaserina.

Kallistuksen muuttuessa > 30 mm / 10 m tämä häiriö laukaisee niin sanotun kallistuksen varoituksen (HI), jolla estetään suurempien kallistumien aiheuttamat korkeusvirheet. Tällöin roottori pysähtyy, lasersäde sammuu pois päältä, manuaali-/HI-varoitus LED 4 vilkkuu kaksi kertaa sekunnissa. Kytke virta pois päältä ja uudelleen päälle sekä tarkista alkuperäinen korkeus tai säädä se uudelleen.

Manuaalikäyttö/Yhden kaltevuuden käyttö

Laserin „M“, kauko-ohjaimen tai vastaanotin-kauko-ohjainyhdistelmän manuaalinäppäintä 2 kerran lyhyesti painamalla laite voidaan kytkeä automaattitasaukselta manuaalikäytölle, mikä osoitetaan siten, että punainen LED 4 vilkkuu kerran sekunnissa. Tällä käytettävällä Y-akseli kaltevuus voidaan muuttaa painamalla nuolinäppäimiä „Ylös/Alas“ laitteessa tai kauko-ohjauksessa. Samoin laserin X-akseli painamalla nuolinäppäimiä „Oikea/Vasen“ kauko-ohjauksessa.

Painamalla uudelleen lyhyesti manuaalinäppäintä „M“ kauko-ohjaimelta, laite muuttuu yksikaltevuustoiminnolle. Se osoitetaan siten, että vihreä ja punainen LED 3/4 vilkkuvat samanaikaisesti kerran sekunnissa. Yhden kaltevuuden toiminnalla voit muuttaa Y-akselin kaltevuuden kauko-ohjaimen avulla kun taas X-akselilla automaattitasaus on päällä koko ajan. Korkeuden muutosvaroitus (HI) on käytössä!

Painamalla uudelleen lyhyesti manuaalinäppäintä laite kytkee takaisin päälle automaattitasauksen, minkä osoittaa vihreä LED 3.

KÄYTÖN ESIMERKKEJÄ

Kojekorkeuden määrittäminen (HI)

Kojekorkeudella (HI) tarkoitetaan lasersäteen korkeutta. Se saadaan selville lisäämällä korkeuspisteen lukema latasta saatuu lukemaan.

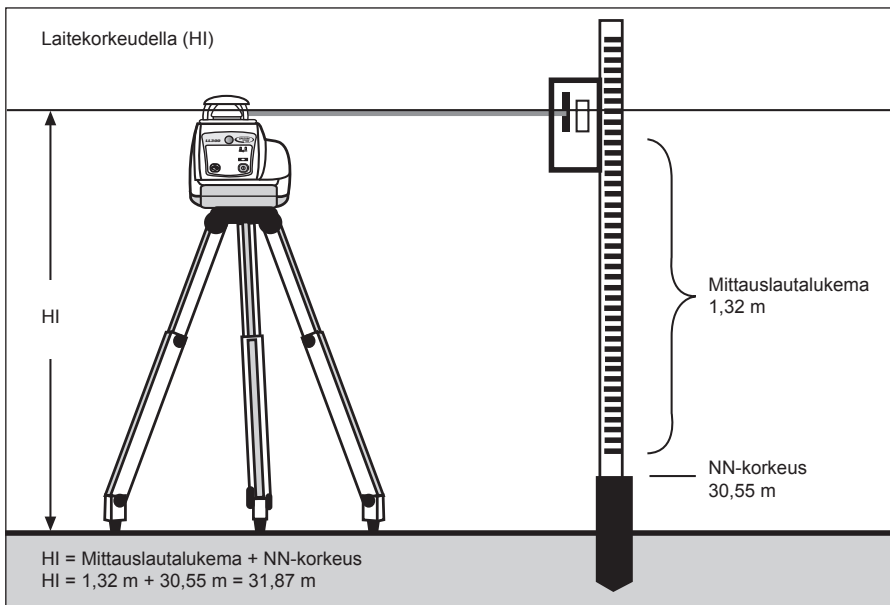
Laser pystytetään ja latta sekä vastaanotin asetetaan tunnetulle korkeuspisteelle (NN). Vastaanotinta liikuttamalla latalla hae lasersäde „tasolla“ –merkillle. Lue latan lukema.

Lisää latan lukema tiedossa olevaan NN-korkeuteen lasersäteen korkeuden selville saamiseksi.

Esimerkki:

| | | |
|--------------|---|---------|
| NN-korkeus | = | 30,55 m |
| Latan lukema | = | +1,32 m |
| Kojekorkeus | = | 31,87 m |

Lasersäteen korkeutta tulee käyttää vertailukorkona kaikissa korkeusmittauksissa.



Korkojen mittaus

Aseta laite vaakasuoraan (esim. kampikolmijalalle), siten, että lasersäde on toivotulla korkeudella.

Mikäli työskentelet ilman kolmijalkaa, laite on asetettava vakaalle alustalle ja korkeusero lasersäteen ja toivotun korkeuspisteen välillä on selvitettävä esim. rullamitalla

Linjaustoiminnon käyttö

Anna laserin suorittaa automaattitasaus ensin vaakasuorassa suorassa olevan kolmijalan päällä.

Paina manuaalisen käyttötavan painiketta ja käännä laser linjausasentoon kolmijalan varaan, halutun pisteen yläpuolelle. Kun laser on asennettu linjausasentoon, pystysuoraan, käännä laseria niin että säde osuu linjan toisessa päässä olevaan vastaanottimeen. Jotta sivuunasetusvirheet voitaisiin välttää, tulisi vastaanotinta käyttää suunnilleen laserin korkeudella.

Kaukosäätimen „ylös/alas“ – nuolinäppäimillä voidaan suorittaa linjauksen hienosäätö.

TARKKUUUS

Tarkkuuteen vaikuttavia tekijöitä

Mahdolliseen mittaustarkkuuteen vaikuttavat monet tekijät:

- Kalibrointi;
- Laitteen lämpötila;
- Ympäristövaikutukset kuten esim. sade, tuuli, maan värinä ja lämpötila.

Suurin vaikutus mittaustarkkuuteen on ympäristön lämpötilalla. Erityisesti pystysuorat lämpötilaerot

(ilmakerrokset) maanpinnan läheisyydessä aiheuttavat lasersäteen poikkeamia samoin kuin väraily kuumien asfalttipintojen päällä.

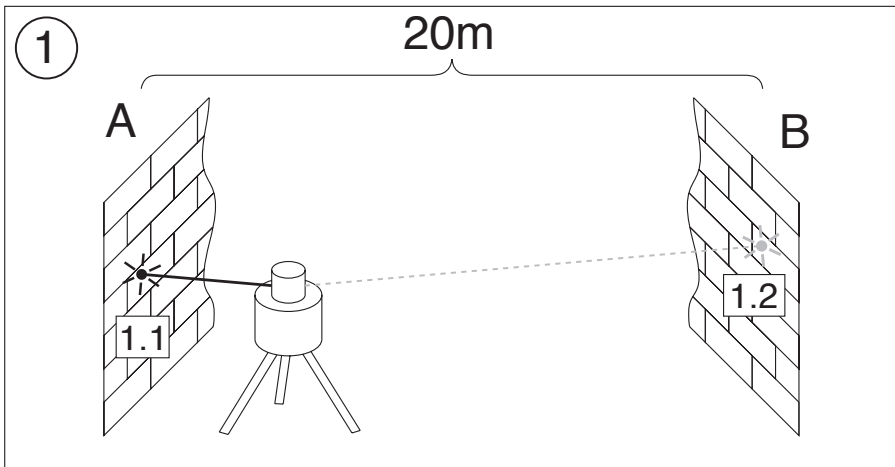


Tämä koskee myös kaikkia optisia mittauslaitteita kuten teodoliittia tai vaakituslaitetta!

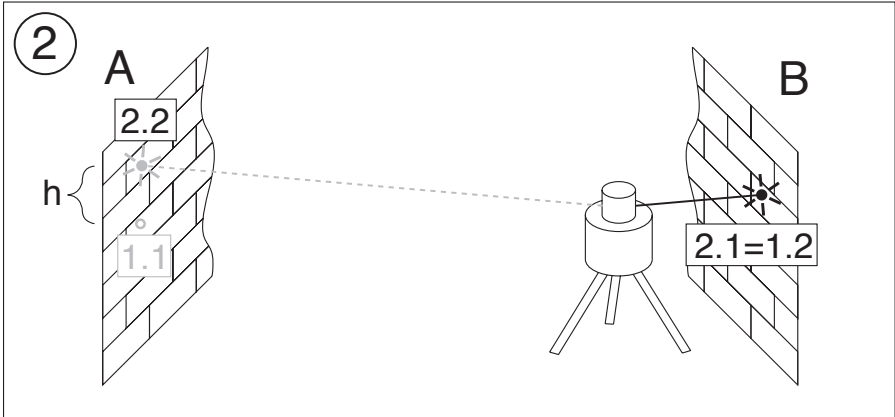
Kalibroinnin tarkistus

Siihen tarvitaan 20 m pituinen vapaa tila kahden seinän välillä (A ja B) ja edestakainen mittaus suoritetaan molempien akseleiden X ja Y kautta tasolasertoiminnolla (4 mittausta).

Sijoita laser vaakasuoraan tasaiselle alustalle tai jalustalle seinän (A) lähelle ja kohdista laserpiste X-akselin suuntaan lähellä olevaan seinään (A). Tasauksen jälkeen merkitään korkeus (vastaanottimella) seinään. Käännä sitten laitetta 180°, tasaa ja merkitse säteen keskikohta kauempana olevaan seinään (B).



Sijoita nyt laite seinän B lähelle. Kohdista lasersäde tasatusta laitteesta X-akselin suuntaan lähellä olevaan seinään B siten, että aikaisemmin merkitty korkeus (mittauksesta seinältä A) on samalla kohdalla. Käännä laitetta 180°, tasaa se ja merkitse säteen keskikohta seinään A. Molempien tässä merkittyjen kohtien välinen ero (h) ilmoittaa tosiasialisen laitepoikkeaman.



Jos laite on tehdasasetuksen rajoilla ($\pm 1,0$ mm 10 m:ä kohden), on $20 + 20 = 40$ m:ssä maksimipoikkeama nolla-asennosta 4 mm.

Toista tämä samalla tavalla negatiiviselle X-akselille ja positiiviselle ja negatiiviselle Y-akselille, jotta korkeus on mitattu kaikkiin 4 suuntaan samassa seinäkohdassa.

LAITESUOJA

Älä jätä laitetta ääriämpötilojen ja lämpötilan vaihtelujen vaikutuksen alaiseksi.

Laitte on hyvin kestävä, mutta siitä huolimatta mittauslaitteita on käsiteltävä huolellisesti. Koviin ulkoisten kolhujen jälkeen ja ennen seuraavia töitä kalibroinnin tarkistus olisi hyvä suorittaa. Muutenkin tarkista laite säännöllisesti.

Laitetta voidaan käyttää sisä- ja ulkokäytössä.

PUHDISTUS JA HOITO

Lika lasipinnoilla säteen ulostuloaukolla 9 vaikuttaa säteen laatuun ja kantamaan. Puhdista lasipinnat vanupikeillä. Kumipalje 10 on erityisesti pidettävä puhtaana. Pyyhi lika kostealla, pehmeällä pyyhkeellä. Älä käytä syövyttäviä puhdistus- tai liuotusaineita. Älä laita kylmää tai märkää kojetta suljettuun laukkuun!

YMPÄRISTÖNSUOJA

Vie kaikki violliset muovi ym. osat aina kierrätyspisteisiin.

Tämä ohje on valmistettu kloorittomasta kierrätyspaperista. Kaikki muoviosat voidaan viedä lajikohtaiseen kierrätykseen.



Älä heitä käytettyjä pattereita/akkuja kotitalousjätteisiin, älä polta tai heitä niitä vesistöön, hävitä ne ympäristöystävällisesti.

TAKUU

Laitteessa on lainmukainen 12 kuukauden takuu materiaali- ja valmistusvirheille.

Vahingoista, jotka syntyvät väärinsäädetyin laitteen käytöstä, ei vastata kenellekään osapuolille.



Ennen työn alkua on aina suoritettava kalibroinnin tarkistus samannimisen kappaleen ohjeiden mukaan.

Takuu lakkaa olemasta voimassa, jos laite avataan, takuusinetit murretaan tai tyyppitarrat poistetaan laitteesta.

TEKNISEET TIEDOT

| | |
|------------------------------|------------------------------------|
| Mittatarkkuus1,3: | < ± 18 arc seconds; < ± 2,6 mm/30m |
| Ro-ta-atio: | 600 rpm . |
| Työalue (ympyrän halkaisija) | 400 m |
| Lasertyyppi: | punainen diodilaser 635 nm |
| Laserteho: | <5 mW, laserluokka 3R |
| Automaattitasausalue: | tyyp. ± 8 % (non ± 4,8°) |
| Tasaussaika: | tyyp. 30 sek. |
| Tasaussnäyttö: | LED vilkkuu |
| Säteen läpimitta1: | noin 8 mm |
| Virta: | 4 x 1,5 V kennot tyyppi D (LR 20) |
| Käyttölämpötila: | - 20° C ... + 50° C |
| Varastointilämpötila: | - 20° C ... + 70 ° C |
| Kierrelitokset: | 5/8"x 11 taso- ja linjaus |
| Paino: | 2,7 kg |
| Varoituis virta vähissä: | Patterinäyttö vilkkuu/valaistuu |
| Virta loppu: | Laitte sammuu |

- 1) 21° Celsius
- 2) ihanteellisissa ilmapiirolosuhteissa
- 3) akseleita pitkin

TUOTEILMOITUS

Me

Trimble Kaiserslautern GmbH

ilmoitamme, että tuote

LL300,

jota tämä ilmoitus koskee, vastaa seuraavia normeja

EN 61000-4-2, 1995; EN 55011, 1998; EN 61000-4-3, 2002

ja on ohjesäännön

Electromagnetic compatibility 89/336/EEC määräysten mukainen.

Kaiserslautern, 17.03.2004

Bernd Brieger
Toimitusjohtaja



İÇERİK

TR

| | |
|---|----|
| GÜVENLİĞİNİZ İÇİN | 82 |
| Mutlaka dikkat ediniz | 82 |
| ALET ELEMANLARI | 83 |
| AKIM BESLEMESİ | 83 |
| Pilleri/Aküleri yerleştirmek | 83 |
| İşletme süresi | 83 |
| Aküleri şarj etmek/doldurmak | 84 |
| İŞLETME | 84 |
| Lazer yapısı | 84 |
| Tesviye otomatığı ve pedal emniyeti | 84 |
| E1 ile işletme/Tek eksen - Eğilim işletmesi | 84 |
| ÇALIŞMA ÖRNEKLERİ | 85 |
| Alet yüksekliğinin belirlenmesi (HI) | 85 |
| Metre çatlağı/ Yükseklik noktasını aktarmak | 85 |
| Dikey işletme | 85 |
| TESVİYE HASSASİYETİ | 86 |
| Hassasiyet etkileri | 86 |
| Hassasiyet kontrolü | 86 |
| ALETİ KORUMA | 87 |
| TEMİZLİK VE BAKIM | 87 |
| ÇEVREYİ KORUMA | 87 |
| GARANTİ | 87 |
| TEKNİK BİLGİLER | 88 |

GÜVENLİĞİNİZ İÇİN



**LAZER ISINI
ISININ DİREKT GÖZLERE
YANSIMASINDAN KAÇININIZ
LAZER SINIFI 3R**

- Alet üzerindeki ikaz levhalarını çıkartmayınız!
- Lazer, 3R sınıfına tabidir (<5mW, 600...680 nm; DIN EN 60825-1:2001-11).
- Işın demetinden dolayı büyük mesafelerdeki ışın geçitine de dikkat ediniz ve emniyete alınız!
- **Kesinlikle** Lazer-ışınına bakmayınız veya başka şahısların gözlerine yansıtmayınız! Bu aletten daha uzak mesafeler için de geçerlidir!
- Şahısların göz hizasında ışınlanamayacağı şekilde aleti yerleştiriniz (Merdivenlerde ve yansımalarda dikkat).

Mutlaka dikkat ediniz

- Aleti çalışma alanının ortasında kurunuz
- 20 m den itibaren olan mesafelerde mümkün olduğunca ayaklık üzerinde işletiniz
- Düzenli olarak hassasiyet denetimleri yapınız
- Sağlam bir duruş güvenli bir işletmenin temelidir
- Aletteki ve döndürme prizmasındaki cam alanları temiz tutunuz





ALET ELEMANLARI

Kullanma alanı tuşları

- 1 Açık-Kapalı-tuşu
- 2 Manüel (Elle işletme) tuşu

Kontrol göstergeleri

- 3 İşletme / tesviye göstergesi
- 4 Elle / Hl İkaz göstergesi
- 5 Pil göstergesi

Alet elemanları

- 6 Uzaktan kumanda için İnfraruj alıcı
- 7 Lazer başı
- 8 Dingil ayarlama kertikleri
- 9 Işın çıkışı
- 10 Hareketli kauçuk körük
- 11 Taşıma kulpu
- 12 Pil kapağı
- 13 Ayaklık bağlantıları
- 14 Kauçuk ayaklar

AKIM BESLEMESİ

İlk defa işletmeden önce, eğer fabrika tarafından yapılmamışsa, pilleri veya tekrar şarj edilebilir pilleri (aküleri) yerleştiriniz. Akü işletmesinde ilk önce aküleri şarj ediniz/doldurunuz. İlgili bölüme bakınız.



NiCd ve NiMH pilleri çok az miktarda zararlı madde içerebilirler.

İlk defa işletmeden önce ve uzun süre kullanmaya ara verdikten sonra pillerin şarj edilmesini (Doldurma) sağlayınız.

Doldurmak için sadece öngörülen şarj aletini imalatçının verdiği bilgilere göre kullanınız.

Pillerin açılması, yakılarak imha edilmesi veya kısa devreye bağlanması yasaktır. Bu esnada yanma, patlama, pilin erimesi veya ısınmasından dolayı yaralanma tehlikesi bulunmaktadır.

İmha etme ile ilgili olarak her defasındaki ülkenin ilgili kaidelerine uyunuz.

Pilleri çocukların ulaşamayacağı yerde saklayınız. Yutma durumunda, çocuğu kusturmaya çalışmayınız. Derhal doktora başvurunuz.

Pilleri/aküleri yerleştirmek

Pil yerleştirme kapağını merkezi kapağı 90°-çevirerek çıkartınız. Pilleri/aküleri pil kovanına, **negatif/eksi temasının pil tahrik yayında** duracak şekilde yerleştiriniz. Kapağı kapatınız ve merkezi kapak ile sabitleştiriniz.



Alkali pillerin kullanımında yüklenme mekanik bir emniyet ile önlenmektedir. Sadece orijinal akü paketi alette yüklemeyi müsaade etmektedir. Yabancı akülerin dıştan yüklenmesi gerekmektedir.

İşletme süresi

Alkalik (AIMn) pillerin (LR 20) kullanımında dönme işletmesinde kullanım süresi yakl. 90 saattir.

NiCd-Aküleri dönme işletmesinde yakl. 45 h işletme süresi sağlamaktadırlar.

Aşağıdaki faktörler işletme süresini azaltmaktadır:

- Durumu sık sık ayar etme (rüzgar, sarsıntılar);
- yoğun ısılar;
- eskimiş aküler; neredeyse dolu olan akülerin sık sık şarj edilmesi (memory-etkisi).
- Değişik doldurulmuş durumdaki pillerin kullanımı



Pilleri/Aküleri her defasında komple değiştiriniz. Kesinlikle değişik kapasitedeki aküleri/pilleri kullanmayınız, mümkün olduğunca **bir/aynı** imalatçının **yeni/yeni doldurulmuş** pillerini/akülerini kullanınız.

Pilleri/Aküleri doldurmak veya değiştirmek için bir ikaz, pil göstergesi 5 tarafından ilk önce yavaş yanıp sönerik bildirilir. Devam eden boşlatma da, alet tamamen kapanmadan önce LED göstergesi daimi olarak yanar.





Aküleri şarj etmek

İlgili olan şebeke yükü doldurma aletinin boş aküleri doldurmak için yakl. 10 saate ihtiyacı vardır. Bunun için doldurma aleti prizini aletin doldurma duyuna takınız. Yeni veya uzun süre kullanılmamış aküler ancak beş defa doldurma ve boşaltma işleminden sonra tam randımanlarına geçmektedirler.



Aküler sadece, eğer aletin ısısı 10°C ve 40°C arasındaysa ancak o zaman doldurulmalıdır. Daha yüksek ısılarda doldurma işlemi akülere hasar verebilir. Daha düşük ısılarda doldurma/şarj etme doldurma süresini uzatır ve kapasitesini düşürür, bu da randıman düşüklüğüne ve akülerin daha az dayanıklı olmasına yol açmaktadır.

İŞLETME

Aleti yatay veya dikey bir şekilde sabit **zemin/altlık** üzerinde ayaklık bağlantılarının yardımı ile ayaklığa veya duvar tutucusuna istenilen yükseklikteki pozisyonunda yerleştiriniz. Alet açıldığında, aletin durumuna göre kendi kendine yatay veya dikey işletme türünü tanır.

Açık-Kapalı-tuşuna **1** basma ile alet çalışır ve bütün **3, 4, 5** LED-Göstergeleri 3 saniye süresince yanarlar. Tesviye derhal başlar. Kapatmak için tuşa tekrar basınız. Tesviye işlemi esnasında rotor durur, tesviye göstergesi **3** yanıp söner (her saniyede 1x). Eğer Lazer ışını yanarsa ve tesviye göstergesi **3** yanıp sönmezse, o zaman alet tesviye edilmiştir. Tesviye göstergesi 5 dakika boyunca daima yanar, daha sonra tekrar yanıp söner (Her 4 saniyede 1x) lazerin otomatik işletmede çalıştığını gösterir.

Eğer alet %8 den daha fazla eğri duruyorsa (Kendi kendine tesviye etme sahası), o zaman lazer ve tesviye göstergeleri saniye süresinde yanıp sönerler. O zaman aletin yeniden doğrultulması gerekmektedir.

Tesviye otomatiği, Yüzdürme emniyeti

Alet çalıştırdıktan sonra **kendi kendine** kendi tesviye yakl. %8 ($\pm 0,8$ m/10 m) sahasındaki pürüzlükleri eşitler, bu esnada rotor halen durmaktadır.

Tesviye edildikten sonra, lazer durumu **denetler**. **Yüzdürme emniyeti**, eğer lazer yatay işletmede 600 dak⁻¹ ile çalışıyorsa, her defasında ilk defa tesviye edildikten sonra, tesviye edildikten yakl. 5 dak. sonra aktifleştirilmektedir.

Durum değiştirmesinde **> 30 mm / 10 m**, bu arıza sözde **yüzdürme emniyetini** devreye sokar, bu da büyük devrilmelerin yükseklik hatalarına yol açmasını önleyebilmek içindir. Bu durumda rotor durur, lazer ışını kapanır, el ile işletme/ Hl lkaz LED **4** lambası yanıp söner (saniyede 2 x). Aleti kapatınız ve tekrar çalıştırınız ve daha sonra asıl yüksekliği denetleyiniz veya yeniden sağlayınız.

El ile işletme/Tek eksen - Eğilim işletmesi

Lazerde (2) uzaktan kumanda veya alıcı-uzaktan kumanda kombinesinin yardımı ile alet el ile işletme tuşuna bir defa kısa basılması ile otomatik kendi kendine tesviye işletmesinden el ile işletmeye geçmektedir, bu da saniye süresinde kırmızı LED **4** lambasının yanıp sönmesi ile sinyal olarak verilmektedir. Bu işletme türünde Y-ekseni alet veya uzaktan kumanda üzerindeki 'Yukarı/Aşağı' ok işareti tuşuna basılması ile ve ayrıca Lazerin X-ekseni uzaktan kumanda da sağ/sol' ok işareti tuşuna basılması ile eğilebilir.

Yatay kurulu durumda el ile işletme tuşuna tekrar kısa basılması ile, alet tek eksen-eğilim işletmesine değişir, bu da yeşil ve kırmızı LED **3/4** lambalarının saniye süresince yanıp sönmeleri ile sinyal olarak verilmektedir (Dikey tarzda el ile işletmeden doğrudan doğruya kendi kendine tesviye etme işletmesine değişmektedir. Bu işletme türünde Y-ekseni aletteki veya uzaktan kumandadaki ok işareti tuşlarının 'yukarı/aşağı' yardımı ile eğilebilirler, bunun yanısıra X-ekseni halen otomatik yatay işletmede çalışmaktadır (örn. eğilmiş, boşaltılmış tavanlarda veya rampalarda). Alet 600 dak⁻¹ ile çalışıyorsa, o zaman yüzdürme emniyeti faaldir, yani Y-ekseni elle eğilmiş olmasına rağmen aletin kurulması halen denetlenmektedir.

El ile işletme tuşuna tekrar kısa basılması ile alet otomatik kendi kendine tesviye işletmesine geri döner, bu da yeşil LED **3** lambası ile gösterilmektedir.





ÇALIŞMA ÖRNEKLERİ

Alet yüksekliğinin belirlenmesi (HI)

Alet yüksekliği (HI), lazer ışınının yüksekliğidir. Bu yükseklik, ölçme çubuğunda okunan değer, bir yükseklik işareti veya bilinen bir yükseklik ile toplanması ile belirlenir.

Lazerin kurulması ve alıcı ile ölçme çubuğunun pozisyonlanması, bilinen bir yükseklik veya referans kazığı (NN) üzerinde.

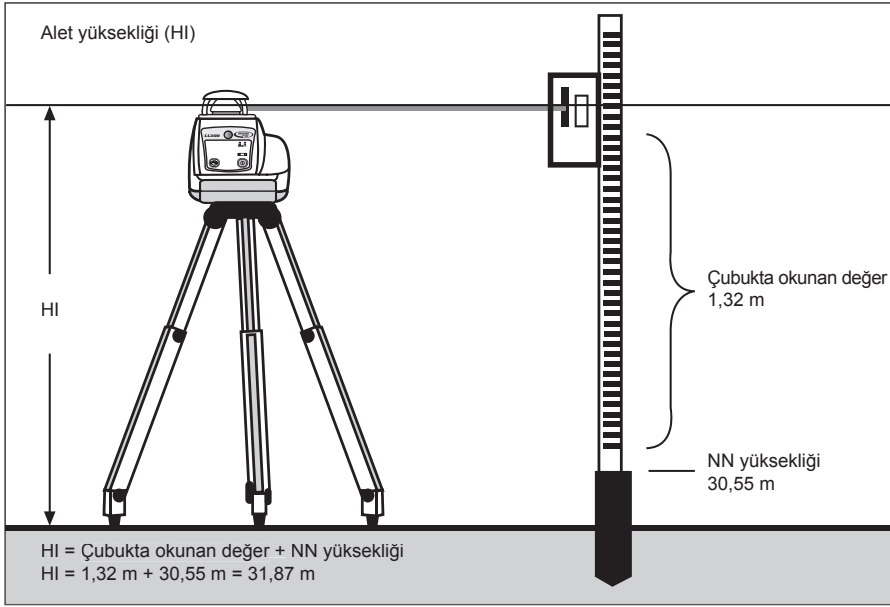
Alıcıyı, lazer ışınının "Yüksekliği/Auf Höhe" pozisyonuna doğrultunuz.

Lazer yüksekliğini belirlemek için, ölçme çubuğunda okunan değer bilinen NN yüksekliği ile toplanması.

Örnek:

| | | |
|----------------------|---|---------|
| NN yüksekliği | = | 30,55 m |
| Çubukta okunan değer | = | +1,32 m |
| Lazer yüksekliği | = | 31,87 m |

Lazer yüksekliğini diğer bütün yükseklik ayarları için referans olarak kullanınız.



Metre çatlağı/Yükseklik noktasını aktarmak

Aleti **yatay işletme türünde**, lazer ışınının istenilen yükseklikte olacağı şekilde kurunuz (örn. kol ayağı yardımı ile).

Daha sonra prizmayı el ile istenilen hedef yerine çeviriniz veya dönme işletme türlerinden birisini kullanınız.

Ayaklık olmadan çalışma durumunda, aleti sağlam bir zemin üzerine koyunuz ve lazer ışını ve istenilen yükseklik noktası arasındaki yükseklik mesafesini bir metre ile tesbit ediniz. Prizmanın hedef yerine çevrilmesinden sonra, daha önce ölçülen yükseklik farkını işaretleyiniz.

Dikey işletme

Lazeri dengelenmiş sehpa üzerinde, ilk önce kendi kendine yatay çalışırken **dengelemeye** bırakınız.

Elle işletme tuşu ile elle işletme modüsüne değiştiriniz ve dikey vida dış kavrama sayesinde ayak üzerinde kurunuz.





Lazeri dikey kurduktan sonra, lazer çevrilerek dikey lazer ışın alanı alıcının ortasına doğru ayarlanabilir. Bu çalışmalarda Offset hatalarını önlemek için alıcı yaklaşık olarak lazerin yüksekliğine kurulmalıdır. Uzaktan kumandada bulunan „Yukarı/Aşağı“ – ok işaret tuşları ile ince ayar yapılabilir.

TESVİYE HASSASİYETİ

Hassasiyet etkileri

Mümkün tesviye hassasiyeti aşağıdaki birçok faktörler tarafından etkilenmektedir:

- Endüstriyel hassasiyeti;
- Aletin ısısı,
- Yağmur, rüzgar ve sıcaklık gibi çevre etkileri.

Ölçme hassasiyetini en fazla çevre ısısı etkilemektedir. Özellikle zemin yakınındaki **dikey ısı farklılıkları** (hava tabakaları) lazer ışınıni yönlendirmektedir, aynı asfalt caddelerdeki yansımalar gibidir.

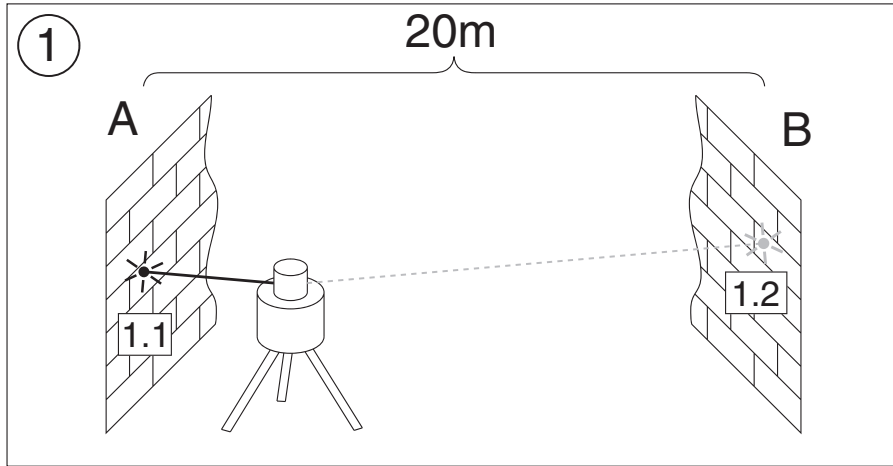


Bu aynı şekilde, Teodolit veya tesviye aleti gibi bütün optik ölçme aletleri için geçerlidir.

Hassasiyet kontrolü

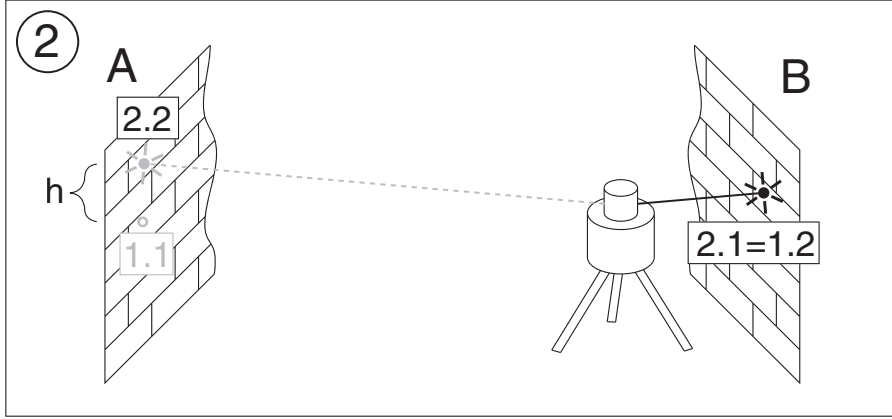
Bunun için iki duvar arasında (A ve B) 20 m uzunluğunda serbest bir hat gerekmektedir ve yatay işletmede X ve Y eksenin her ikisinde bir **aktarma ölçümü** yapılmaktadır (4 ölçme).

Lazeri düz bir zemin/altlık üzerinde veya tesviye edilmiş bir ayaklık üzerinde yatay olarak bir duvarın (A) yakınında yerleştiriniz ve Lazer **noktasını** X-ekseni-istikametinde yakın olan duvara (A) doğrultunuz. Tesviye edildikten sonra yükseklik (Alıcı yardımı ile) duvarda işaretlenmektedir. Daha sonra aleti 180° çeviriniz, tesviye etmeye bırakınız ve ışının ortasını uzaktaki duvarda (B) işaretleyiniz.



Şimdi aleti B duvarı yakınında yerleştiriniz. Tesviye edilmiş aletin lazer ışınıni X-ekseni-istikametinde şimdi yakın olan duvar B ye, daha önce işaretlenmiş yükseklik (duvar A ölçümünden olan) geçleştirilebilecek şekilde doğrultunuz. Aleti 180° çeviriniz, tesviye etmeye bırakınız ve duvar A daki ışın ortasını işaretleyiniz. Burada işaretlenmiş her iki noktanın farkları (h) şimdi gerçek alet toleransını belirlemektedir.





Eğer alet endüstriyel hassasiyetin (10 m de $\pm 1,0$ mm) sınırında bulunuyorsa, o zaman sıfır durumuna olan, $20 + 20 = 40$ m de en fazla tolerans 4 mm dir.

Bunu aynı şekilde negatif/eksi X-ekseni için ve pozitif/artı ve negatif/eksi Y-ekseni için, yüksekliğin her 4 istikametten aynı duvar noktasında ölçüleceği şekilde tekrarlayınız.

ALETİ KORUMA

Aleti yoğun ısı ve ısı değişimlerinde bırakmayınız (arabada bırakmayınız).

Alet oldukça sağlamdır. Yinede ölçü aletlerini itinalı kullanmak gerekmektedir. Dıştan gelen etkilerden sonra alet ile çalışmadan önce tesviye hassasiyetini daima kontrol ediniz.

Alet iç ve dış alanlarda kullanılabilir.

TEMİZLİK VE BAKIM

Çıkış deliklerinin **9 cam alanlardaki** kirlenmeler ışın kalitesini ve ulaşma mesafesini önemli bir şekilde etkilemektedir. Pamuklu çubuklar ile temizleyiniz. Tüycüklere dikkat ediniz.

Kauçuk körüğünü **10** özellikle temiz tutunuz. Kirilikleri nemli, yumuşak bir bez ile siliniz. Keskin temizlik ve çözücü maddeleri kullanmayınız. Islak aleti havada kurumaya bırakınız.

ÇEVREYİ KORUMA

Alet, aksesuarlar ve ambalaj çevreye uygun tekrar değerlendirmeye aktarılmalıdır/iletilmelidir.

Bu talimat klorsuz hazırlanmış Recycling-kağıt ile imal edilmiştir. Bütün plastik parçalar çeşitlerine göre recycling işaretleri ile işaretlenmiştir.



Tüketilen piller/aküleri ev çöpüne, ateşe veya suya atmayınız, tam aksine çevreye uygun bir şekilde imha ediniz.

GARANTİ

Aletin yasal kaideler doğrultusunda 12 ay malzeme ve imalat hatalarına karşı garantisi bulunmaktadır.

Ayarı bozulmuş aletin kullanımından dolayı oluşan zararlar için sorumluluk üstlenilmez.



Çalışmaya başlamadan önce, aynı terim altındaki bölüme göre daima **hassasiyetlik kontrolü** yapınız.

Aletin açılması veya model etiketlerinin/levhalarının çıkartılması ile birlikte garanti hakkı kaybolur.





TEKNİK BİLGİLER

| | |
|-------------------------------------|-------------------------------------|
| Ölçme hassasiyeti ^{1,3} : | < ± 18 arc seconds, < ± 2,6 mm/30 m |
| Dönme hızı: | 600 ¹ /dak. |
| Çalışma alanı ¹ : (Çapı) | 400 m |
| Lazer modeli: | kırmızı diyod lazeri 635 nm |
| Lazer gücü: | <5 mW, Lazer sınıfı 3R |
| Kendi kendine tesviye etme alanı: | model. ± 8 % (yakl. ± 4,8°) |
| Tesviye süresi: | model 30 san. |
| Tesviye göstergesi: | LED yanıp söner |
| Işın çapı ¹ : | alette yakl. 8 mm |
| Akım beslemesi: | 4 x 1,5 V Monozellen Typ D (LR 20) |
| İşletme ısısı: | - 20° C ... + 50° C |
| Depolama ısısı: | - 20° C ... + 70° C |
| Ayaklık bağlantıları: | 5/8" yatay ve dikey I |
| Ağırlık: | 2,7 kg |
| Düşük gerilim göstergesi: | Pil göstergesi yanıp söner/yanar |
| Düşük gerilim kapatması: | Alet tamamen kapanır |

1) 21° Celsius'da

2) optimal atmosfer koşullarında

3) Eksenlerin boyunca

UYGUNLUK AÇIKLAMASI

Biz,

Trimble Kaiserslautern GmbH

tek başına kendi sorumluluğumuz altında, bu açıklamanın dayandığı

LL300

ürünün aşağıdaki normlar ile uygun olduğunu beyan ederiz.

EN 61000-4-2, 1995; EN 55011, 1998; EN 61000-4-3, 2002

Electromagnetic compatibility 89/336/EEC

doğrultusunun kaidelerine göreler.

Kaiserslautern, 17.03.2004

Bernd Brieger
Şirket müdürü

目次

| | |
|---------------------|----|
| 安全に関するご注意 | 89 |
| 重要事項 | 89 |
| 各部の名称 | 90 |
| 電源 | 90 |
| バッテリーの入れ方 | 90 |
| バッテリーの使用時間について | 90 |
| バッテリーの充電について | 91 |
| 使用方法 | 91 |
| 設置 | 91 |
| 自動整準と機械高警告 | 91 |
| マニュアルモードと1軸マニュアルモード | 91 |
| 操作方法 | 92 |
| 機械高の設定 | 92 |
| 高さの記録 | 92 |
| 垂直使用 | 92 |
| 水平精度 | 93 |
| 水平精度に影響を与える要因 | 93 |
| 精度の確認 | 93 |
| 管理 | 94 |
| 手入れ | 94 |
| 環境保護 | 94 |
| 保証 | 94 |
| 仕様詳細 | 95 |

安全に関するご注意



**LASER RADIATION
AVOID DIRECT EYE EXPOSURE
CLASS 3R LASER PRODUCT**

- ・ 警告ラベルを外さないでください。
- ・ これはクラス 3R (< 5mW, 600 ... 680 nm) のレーザー製品です。
- ・ レーザ光の直径が小さいので、遠隔地でのレーザー光の進路を監視・確保してください。
- ・ 決してレーザー光を覗き込んだり、人の目に当てたりしないでください。
- ・ 常にレーザー光が人の目に当たらないように注意して操作してください。

重要事項

- ・ できるだけ本機を作業エリアの中央に設置してください。
- ・ 三脚等の使用は、距離が20m以上のときにお勧めします。
- ・ 精度を定期的に確認してください。
- ・ 安全な作業を行うには、本体をしっかりと取り付ける必要があります。
- ・ 機械のガラス部分が汚れていないことを確認してください。

各部の名称

ボタン

- 1 電源ボタン
- 2 マニュアルボタン

コントロールインジケータ

- 3 整準インジケータ
- 4 マニュアル・機械高警告インジケータ
- 5 バッテリーインジケータ

本体の主要部

- 6 赤外線受光部(リモートコントロール用)
- 7 ロータとその保護枠
- 8 視準ガイド
- 9 レーザ射出口
- 10 弾カゴム製ブート
- 11 ハンドル
- 12 バッテリー収容部のふた
- 13 5/8x 11三脚取付部
- 14 ゴム製脚

電源

初めて使用する前に、アルカリ乾電池または充電式電池を入れてください。ニッカド電池を使用する場合には、まず電池を充電してください。バッテリーの項を参照してください。



警告

ニッカドとニッケル水素電池には有害な物質が含まれることがあります。

初めて使用するときや、長い間使用しなかったときには、電池を充電してください。

バッテリーを開けたり、火の中に投げ入れたり、ショートさせたりしないでください。発火や爆発、漏電、発熱が起こり、怪我をする恐れがあります。

適用される法律や規則に従って廃棄してください。

お子様の手の届かないところにバッテリーを保管してください。万が一飲み込んでしまった場合には、至急医師に相談してください。

バッテリーの入れ方

バッテリー収容部のふたを開けるには、中央のねじを時計と反対方向に90度に回して外します。バネ側に電池(または充電式バッテリーパック)のマイナス極が向くように挿入します。ふたを元の位置に戻し、ねじを時計方向に90度に回して締めます。



自動スイッチによってアルカリ電池が充電されることはありません。本体内で充電できるのは、弊社オリジナルの充電式バッテリーパックだけです。その他の充電式バッテリーは外部で別に充電する必要があります。

バッテリーの連続使用時間

充電式バッテリーを使用すると、約45時間連続使用できます。

アルカリ乾電池を使用すると、約90時間連続使用できます。

以下の状況下ではバッテリーの使用時間が短縮することがあります。

- 風や振動のために自動整準が頻繁に必要な場合
- 気温が極端に高い、または低い場合
- 充電式バッテリーが古い場合、またはバッテリーがメモリ効果を持つ場合
- 残量の異なるバッテリーを併せて使用する場合



すべてのバッテリーは同時に交換してください。残量の異なるバッテリーを併せて使用しないでください。新しいバッテリー(または充電済みのバッテリー)を使用してください。

電圧が低いときには、バッテリーインジケータ(5)がゆっくり点滅します。

バッテリーの充電

空のバッテリーを充電するには約12～14時間必要です。充電を行うには、充電器のプラグを本体の充電用ソケットに接続します。新品の、または長い間使用していなかった充電式バッテリーが最大効果を発揮するには、充電を5回ほど経過する必要があります。



バッテリーの充電はレーザが10° C～40° Cのときに行ってください。それより高い温度のときに充電するとバッテリーを損傷する恐れがあります。それより低い温度のときに充電すると、充電に時間がかかりかつ充電能力を低下させることがあり、それによって性能損失や耐久度の低下を招くことがあります。

使用方法

設置

本体を安定した面に水平に置か、または希望する高さにした三脚に水平に取り付けます。(三脚取付部とゴム製の脚が下向き)

電源ボタン(1)を押して、本体をオンにします。LED(3、4、5)が3秒間点灯します。自動整準が直ちに行われます。整準インジケータ(3)の点滅(毎秒)が止まると、本体の自動整準が終了したことを意味します。本体が水平になるまでロータは回転しません。レーザの自動整準が行われてから最初の5分間LEDライトは点灯したままですが、その後はレーザの水平が保たれる限り4秒ごとに点滅します。

本体をオフにするには、もう一度電源ボタン(1)を押します。

レーザが自動整準範囲 $\pm 4.8^\circ$ (8% ; $\pm 0.8\text{m}/10\text{m}$) 外にある場合は、マニュアルインジケータと整準インジケータが同時に点滅して、警告音を発します。その場合には、レーザをその自動整準範囲内に設置し直して下さい。

自動整準と機械高警告

本体は電源が入るとすぐに $\pm 4.8^\circ$ (8% ; $\pm 0.8\text{m}/10\text{m}$) の範囲で自動整準を行います。自動整準が行われていることを認識するため、自動整準中に誤った高さをマークするのを避けるために、自動整準中の回転は停止されたままです。

自動整準が終了すると、本体はその整準状態を絶えず監視します。自動整準が行われ、レーザが600回転/分で回転するようになって5分後に機械高警告機能は自動的に作動します。

誤って機械に触れる等で、水平の誤差が 30 mm/10 m以上 になると、測定値が不正確になるのを避けるために、本体は警告モードになります。警告モードになると、回転を停止し、レーザ光はオフになり、警告音が発せられ、機械高警告LED(4)が1秒に2回点滅します。電源を一度オフにしてから、もう一度オンにしてください。最初の状態と同じ高さであるように、高さを確認し、調整する必要があります。

マニュアルモードと1軸マニュアルモード

本体またはリモートコントロール (別売付属品) で「M」(マニュアル)ボタン(2)を押すと、自動整準モードからマニュアルモードに切り替わります。マニュアルモードになると、赤いLED(4)が毎秒点滅するようになります。マニュアルモードでは、Y軸の勾配はリモートコントロールの上矢印と下矢印ボタンを押すことで調整できます。同様にX軸の勾配はリモートコントロールの右矢印と左矢印ボタンを押すことで調整できます。

リモートコントロールの「M」ボタンをもう一度押すと、レーザは1軸マニュアルモードに切り替わります。赤いLED(4)と緑のLED(3)が毎秒点滅するようになります。1軸マニュアルモードではY軸の勾配はリモートコントロールの上矢印と下矢印ボタンを押すことで調整できますが、X軸は自動整準モードのままです。水勾配を設置するときなどに使用します。この時 機械高警告は作動します。

本体またはリモートコントロールでもう一度マニュアルボタンを押すと、自動整準モードに戻り、緑のLED(3)が点滅するようになります。

操作方法

機械高の設定

機械高とは本体のレーザー光の高さです。

機械高は、ベンチマークまたは既知標高点の高さと、標尺の値を足し算することで得られます。

本機を設置し、標尺を現場のベンチマーク(BM)または既知標高点の上に置きます

水平位置表示を示すまで、標尺に沿って受光器を上げたり下げたりします。

ベンチマークに標尺の値を加えて、機械高を求めます。

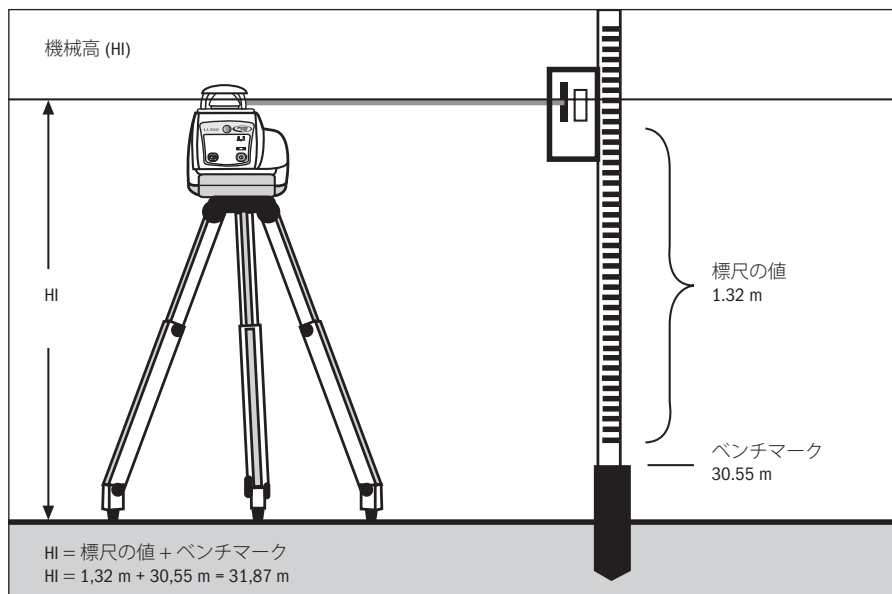
例

ベンチマーク = 30.55 m

標尺の値 = +1.32 m

機械高 = 31.87 m

この機械高をその他すべての高さの基準として使用します。



高さの記録

レーザを水平モードに設置(三脚などを使用)して、レーザ光が設定したい高さになるようにします。

三脚などを使用しないで作業する場合には、安定した面にレーザを設置し、定規を使用してレーザ光と望む高さの高低差を測定します。測定した高さをもう一度記録します。

垂直使用

三脚を水平に置いて、レーザを自動整準モードで水平にセットアップします。

マニュアルモードボタンを押します。三脚に取り付けられたレーザの位置を垂直取付用ねじ穴を使用して垂直設置に変更します。

レーザを回して、垂直レーザ面が受光器の水平位置表示と一致するように調整します。

オフセットエラーを避けるために、レーザと同程度の高さで受光器を使用したほうがよいです。

リモートコントロールを使用できる場合には、上・下矢印ボタンを使用して詳細な調整を行うことができます。

水平精度

水平精度に影響を与える要因

レーザの水平精度は様々な要因の影響を受けます。

- ・ 工場出荷時の精度
- ・ 本体の温度
- ・ 雨や風、気温などの外界環境

レーザの精度に一番影響を与えるのは外界気温です。暑い日にアスファルトの上にかげろうを見ることができるよう、地面近くで気温差が生じてレーザ光が歪むことがあります。

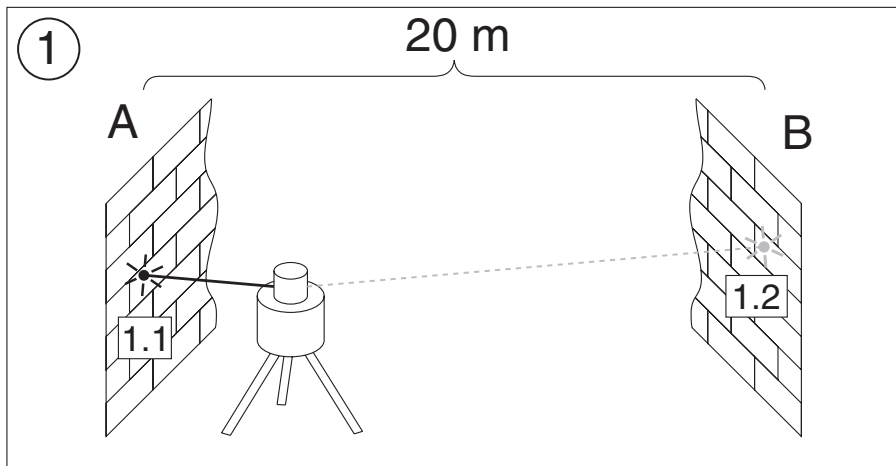


この要因は、レベルやセオドライトなどの光学測量機にも同様な影響を与えます。

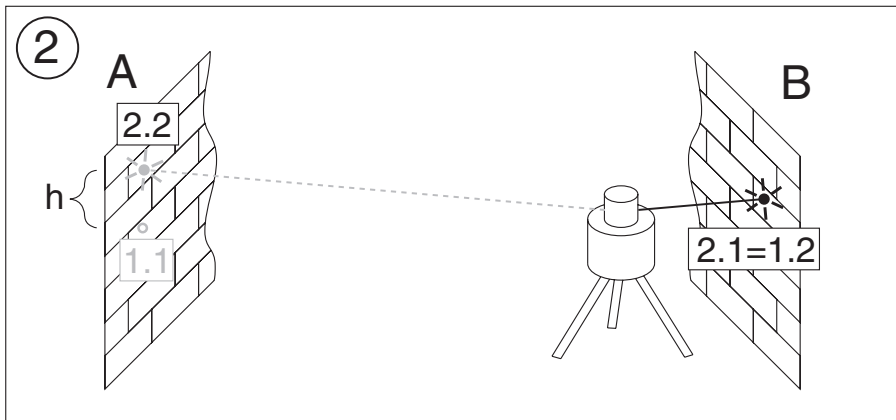
精度の確認

現場での高精度を確実にするには、2つの壁(AとB)が20 m以上離れている必要があります。そこで、以下のよう
に三脚上で測定作業を4回実行します。(トランシット測定)

A壁の近くで本体を三脚上に水平に設定します。X軸のプラス側がA壁を指すようにして本体をオンにします。本体が水平になったら、A壁の受光器を使用してレーザ光の高さをマークします。本体を180度回転して、本体に自動整準させ、B壁のレーザ光の中心をマークします。



今度はB壁の近くに、X軸のプラス側がB壁を指すように本体を設定します。本体が水平になったら、B壁のレーザ光の高さをマークします。本体を180度回転して、本体に自動整準させ、A壁のレーザ光の中心をマークします。A壁のマークの差が偏差を意味します。



本体が作業精度の許容範囲内にあるためには、 $20\text{ m} + 20\text{ m} = 40\text{ m}$ の実レベルでの最大偏差は4mm未満の必要があります。

上のテストを、X軸のマイナス側と、Y軸のプラス側、Y軸のマイナス側に対して繰り返します。それによって本体の4軸すべてに対してテストが行われます。

受光機の精度も考慮する必要があります。

管理

本体を極端な高温や低温の中に置いたり、極端な温度変化にさらさないでください。（車中に放置しないでください。）

本体は非常に堅牢で、三脚の高さからの落下に耐える強度をもっております。しかし作業を継続する前に水平精度を確認してください。精度の確認の項を参照してください。

レーザには防水加工が施されており、室内・屋外のどちらでも使用できます。

手入れ

レーザやプリズムのガラス部分が埃や水で汚れていると、レーザ光の質や作業可能範囲に大きな影響を与えます。綿棒で汚れをふき取ってください。

その他の部分の汚れは、柔らかい布で拭き取ってください。強力なクレンザーや洗剤は使用しないでください。汚れを拭き取った後は本体を自然乾燥させてください。

環境保護

本体やアクセサリ、梱包材はリサイクルしてください。

この説明書は、無塩素再生紙です。

プラスチック部分はすべて、材質に応じてリサイクル用のマークが付いています。



使用済みの電池をごみや水、火の中に捨てないでください。環境規定に従って処理してください。

保証

弊社は当製品の部品や組み立てに欠陥が無いことを1年間保証いたします。

ご使用や事故の形跡、弊社及び弊社指定のサービスセンター以外の者が製品の修理をしようとした形跡がある場合には保証対象にならない場合があります。



弊社は本製品の故障に起因する付随的損害については補償しかねます。

作業を始める前に、該当項に従って毎回精度の確認を行ってください。

仕様詳細

| | |
|-------------------------|---------------------------|
| 水平精度 ^{1,3} | ±18" (30m当り±2.6 mm以内) |
| レーザー光回転速度 | 600 rpm |
| 測定範囲(直径) ^{1,2} | 400 m |
| レーザータイプ | 635 nm |
| レーザークラス | クラス 3R, <5mW |
| 自動整準範囲 | 約±8% (約± 4.8°) |
| 自動整準所要時間 | 約30秒 |
| 整準インジケータ | LEDの点滅 |
| レーザー光の直径1 | 発光元で約8 mm |
| 電源 | 単1型アルカリ(LR20)またはニッカド乾電池4本 |
| 操作温度 | -20 °C ~ 50 °C |
| 保管温度 | -20 °C ~ 70 °C |
| 三脚取り付け | 5/8 × 11 水平・垂直 |
| 質量 | 2.7 kg |
| 低圧警告 | バッテリーインジケータが点滅・点灯 |
| 低圧による切断 | 本体をオフにする |

1) 気温 21° Cの時

2) 最適な大気環境下において

3) 軸に沿って

適合宣言

弊社

Trimble Kaiserslautern GmbH

は、単独の責任において、この宣言が対象とする製品

LL300

が

EN 61000-4-2, 1995.EN 55011, 1998.EN 61000-4-3, 2002

の各基準に適合し、

Electromagnetic compatibility (電磁適合性) 89/336/EEC

指令の条項に従うことを宣言します。

Bernd Brieger

常務取締役