

OWNER'S MANUAL

SNAPPER SHEAR



MODEL SS-424

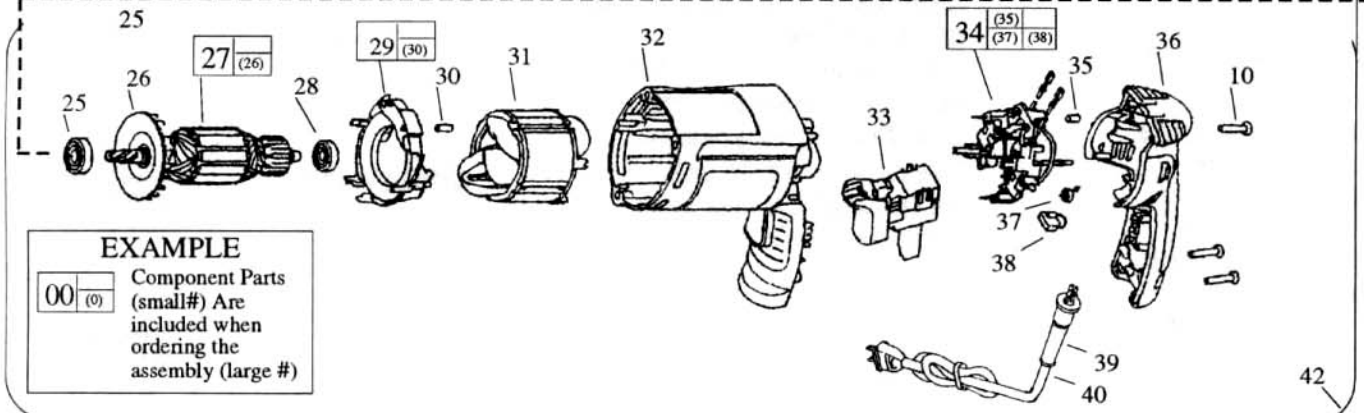
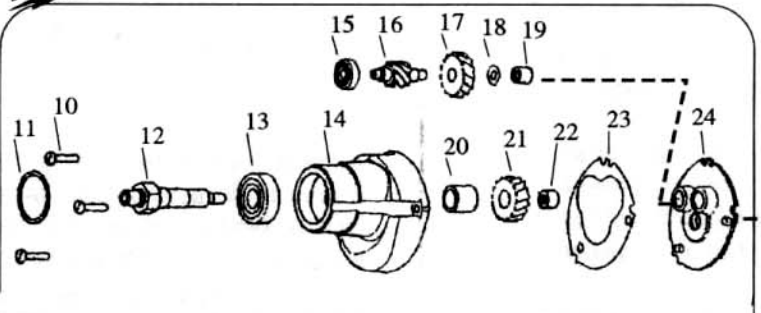
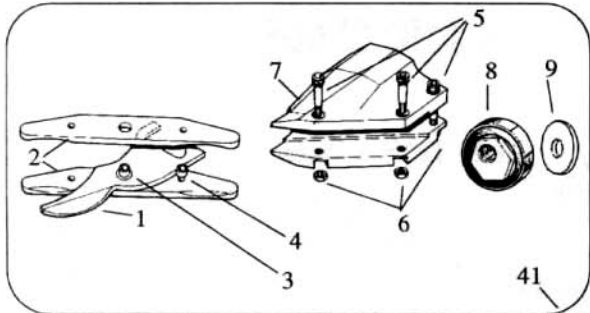
The World Leader In Fiber-Cement Cutting Technology.

Milwaukee
Powered

**BE SURE EVERYONE USING THIS TOOL
READS AND UNDERSTANDS
THIS OWNER'S MANUAL.**



PACIFIC INTERNATIONAL TOOL & SHEAR, LTD.
26130 Bond Road, P.O. Box 1604, Kingston, WA 98346
1 (800) 297-7487 or (360) 297-3735 FAX: (360) 297-8755
snapper@snappershear.com • www.snappershear.com



EXAMPLE
 Component Parts (small #) Are included when ordering the assembly (large #)

ITEM #	PART #	DESCRIPTION	QTY
1	42101	Center Blade	1
2	40102	Side Knife	2
3	30103	Pivot Bushing	1
4	30104	Spacer Bushing	1
--	42153	Blade Set Assy.	1
includes: (#42101, #40102, #30103, #30104)			
5	30405	10-32 Cap Screws	3
6	30406	Nylock Nuts	3
7	40207	Aluminum Head, Blank	1
8	40208	Eccentric Bearing	1
9	40210	Flat Washer	1
10	43014	7-18x3/4 Slotted Plastite T-20	6
11	43031	Retaining Ring	1
12	43017	Spindle	1
13	43012	Ball Bearing	1
14	43013	Gearcase	1
15	43013A	Ball Bearing	1
16	43018	Pinion Gear	1
17	43018A	Intermediate Gear	1
18	43021D	Thrust Washer	1
19	43021B	Needle Bearing	1
20	43010	Spindle Spacer	1
21	43017A	Spindle Gear	1
22	43021A	Needle Bearing	1
23	43020	Gasket	1
24	43021	Diaphragm	1
25	43022	Ball Bearing	1
26	43023A	Fan	1
27	43023	Armature	1
28	43026G	Ball Bearing	1

ITEM #	PART #	DESCRIPTION	QTY
29	43026B	Baffle Assembly	1
30	43026E	Slug	2
31	43026A	Field	1
32	43026	Motor Housing	1
33	43028	Switch	1
34	43027C	Brush Card Assembly	1
35	43026F	Slug	1
36	43029	Handle Halve	1
37	43026D	Brush Spring	2
38	43027	Brush Assembly	2
39	43030A	Cord Protector	1
40	43030	Cord Assembly	1
41	42442	Head & Blade Assembly	1
42	43043	Milwaukee Power Unit	1
--	424-M	Owner's Manual	1
--	30236	5/32" Allan Wrench - short arm	1

IMPORTANT! To assure product safety and reliability, repairs, maintenance and adjustment should be performed by Pacific International Tool service centers or other qualified organizations, always using Pacific International Tool replacement parts.

*** When servicing double insulated tools, it is extremely important that only identical replacement parts be used and that reassembly of tool is identical to the original assembly.

Tool service must be performed only by qualified repair personnel. Service or maintenance performed by unqualified personnel could result in a risk of electric shock or injury. When servicing a tool, use only identical replacement parts and authorized lubricants.



Pacific International Tool & Shear, Ltd. will not be responsible for accident or damage as a result of tool misuse or not following safety measures and precautions.

CAUTION: THIS TOOL IS FOR FIBER CEMENT PRODUCTS ONLY, 1/2" OR LESS IN THICKNESS. DO NOT CUT OTHER MATERIALS OR STACK CUT. DOING SO WILL DAMAGE SHEAR, AND WILL VOID TOOL WARRANTY!

Swap side knives after they show a wear pattern of 50% in width. They can be swapped left to right and used until the wear patterns meet. Then they can be swapped end to end giving you a total of four surfaces. The tool will continue to cut after these landmarks are reached but will cause overloading of the power unit.

Keep the center blade clean and free of material build-up. This buildup can create a "wedge" condition which accelerates power unit wear.

When replacing the set of blades, remove head and check eccentric bearing for wear. Replace as necessary.

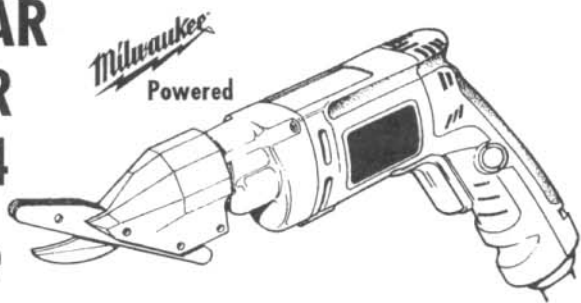
WARNING! Some dust created by power sanding, sawing, grinding, drilling, and other construction activities contains chemicals known to cause cancer, birth defects or other reproductive harm. Some examples of these chemicals are: lead from lead-based paint, crystalline silica from bricks and cement and other masonry products, and arsenic and chromium from chemically-treated lumber. Your risk from these exposures varies, depending on how often you do this type of work. To reduce your exposure to these chemicals: work in a well ventilated area, and work with approved safety equipment, such as those dust masks that are specifically designed to filter out microscopic particles.

WARRANTY. Every SNAPPER SHEAR is tested and inspected prior to shipment. If tool does not operate properly, return prepaid to us. If tool is found to be defective in workmanship or material, repairs will be made without charge and tool returned to you with the shipping prepaid. This warranty doesn't apply if you or others attempt repair, the tool has been damaged or misused, If repairs needed are due to normal wear, use is continued after partial failure, or parts other than ours have been installed. No other warranty, written or verbal is authorized.

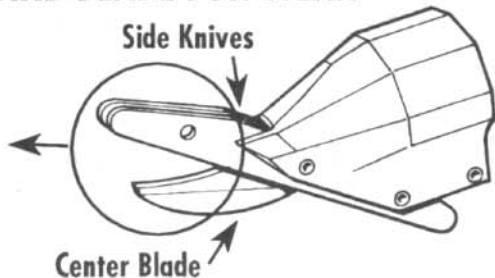
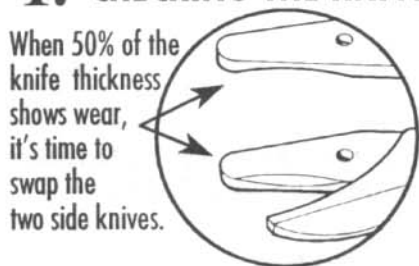
LET US DO THE SERVICE. Simply ship the tool to us (freight pre-paid) and we'll completely service the tool and ship it back to you the same day we receive it. Be sure to enclose your name, address and daytime phone number when you ship the tool.

SNAPPER SHEAR RAZORBACKER MODEL SS-424

Tool Maintenance



1. CHECKING THE KNIVES AND BLADE FOR WEAR



When the knives have rounded about half their width (shown above), dull side knives can be exchanged one side to the other for new cutting edges (see section 2). Note: After both edges of each knife have rounded about half the width of the knives, swap them end to end for two new cutting edges. After all four sides have worn down obtain replacements from your dealer. When side knives are worn out, the center blade should also be replaced.

READ THIS NOW:

TOOL OPERATION

When cutting, **hold knives flat against material** while applying light, even pressure. **Do not force tool through material**, as this may cause jamming, a rough cut, or damage.

WORK AREA

- Keep work area clean and well lit. Cluttered benches and dark areas invite accidents.
- Do not operate power tools in explosive atmospheres, such as in the presence of flammable liquids, gases, or dust. Power tools create sparks which may ignite the dust or fumes.
- Keep bystanders, children, and visitors away while operating a power tool. Distractions can cause you to lose control.

ELECTRICAL SAFETY

- Double insulated tools are equipped with a polarized plug (one blade is wider than the other). This plug will fit in a polarized outlet only one way. If the plug does not fit fully in the outlet, reverse the plug. If it still does not fit, contact a qualified electrician to install a polarized outlet. Do not change the plug in any way. Double insulation eliminates the need for the three wire grounded power cord and grounded power supply system.
- Avoid body contact with grounded surfaces such as pipes, radiators, ranges and refrigerators. There is an increased risk of electric shock if your body is grounded.
- Do not expose power tools to rain or wet conditions. Water entering a power tool will increase the risk of electric shock.
- Do not abuse the cord. Never use the cord to carry the tool or pull the plug from an outlet. Keep cord away from heat, oil, sharp edges or moving parts. Replace damaged cords immediately. Damaged cords increase the risk of electric shock.
- When operating a power tool outside, use an outdoor extension cord marked "W-A" or "W". These cords are rated for outdoor use and reduce the risk of electric shock.

PERSONAL SAFETY

- Stay alert, watch what you are doing, and use common sense when operating a power tool. Do not use tool while tired or under the influence of drugs, alcohol, or medication. A moment of inattention while operating power tools may result in serious personal injury.
- Dress properly. Do not wear loose clothing or jewelry. Contain long hair. Keep your hair, clothing, and gloves away from moving parts. Loose clothes, jewelry, or long hair can be caught in moving parts.
- Avoid accidental starting. Be sure switch is off before plugging in. Carrying tools with your finger on the switch or plugging in tools with the switch on invites accidents.
- Remove adjusting keys or wrenches before turning on the tool. A wrench or key that is left attached to a rotating part of the tool may result in personal injury.
- Do not over reach. Keep proper footing and balance at all times. Proper footing and balance enables better control of the tool in unexpected situations.
- Use safety equipment. Always wear eye protection. Dust mask, non-skid safety shoes, hard hat, or hearing protection must be used for appropriate conditions.

TOOL USE AND CARE

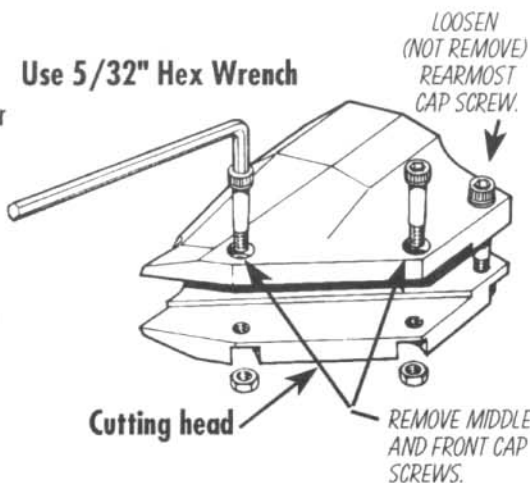
- Use clamps or other practical way to secure and support the work piece to a stable platform. Holding the work by hand or against your body is unstable and may lead to loss of control.
- Do not force tool. Use the correct tool for your application. The correct tool will do the job better and safer at the rate for which it was designed.
- Do not use tool if switch does not turn it on or off. Any tool that cannot be controlled with the switch is dangerous and must be repaired.
- Disconnect the plug from the power source before making any adjustments, changing accessories, or storing the tool. Such preventive safety measures reduce the risk of starting the tool accidentally.
- Store idle tools out of reach of children and other untrained persons. Tools are dangerous in the hands of untrained users.
- Maintain tools with care. Keep cutting tools sharp and clean. Properly maintained tools with sharp cutting edges are less likely to bind and are easier to control. Do not use a damaged tool. Tag damaged tools "Do not use" until repaired.
- Check for misalignment or binding of moving parts, breakage of parts, and any other condition that may affect the tool's operation. If damaged, have the tool serviced before using. Many accidents are caused by poorly maintained tools.
- Use only accessories that are recommended by the manufacturer for your model. Accessories that may be suitable for one tool, may become hazardous when used on another tool.

2. CHANGING THE KNIVES AND BLADE.

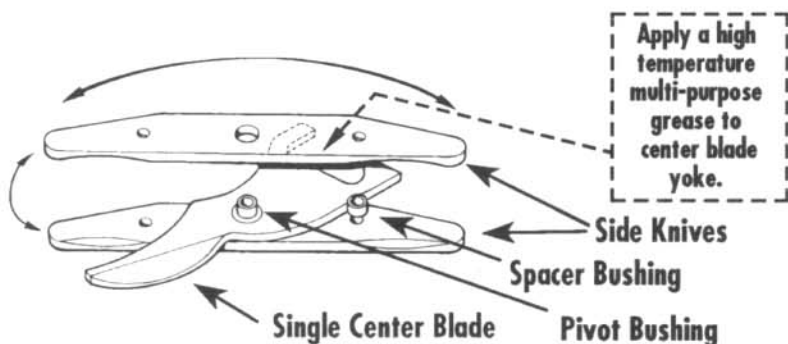
Loosen (not remove) rearmost cap screw. Remove middle cap screw. Don't lose spacer bushing. Remove front cap screw. Don't lose pivot bushing. Pull knives and blade assembly from head. Swap knives (shown below), re-insert pivot bushing, and install assembly into head.

Replace cap screws with spacer bushing on middle screw, and tighten all three cap screws. Place the cutting head and blade assembly on motor body and **Torque all three cap screws to 40 inch-pounds.**

Use 5/32" Hex Wrench

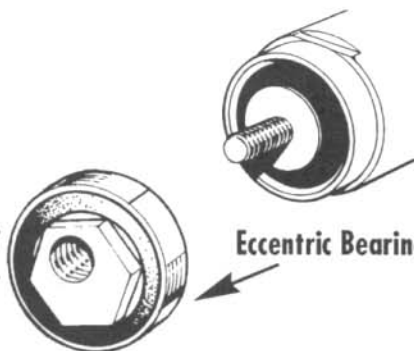


SWAP KNIVES, ONE SIDE TO THE OTHER AND END-TO-END FOR FOUR CUTTING SURFACES. AS SHOWN HERE.



3. REMOVING THE ECCENTRIC BEARING

Eccentric Bearing Nut



If the eccentric bearing needs to be replaced, back the eccentric bearing nut off with an impact wrench, starting at the lowest setting. Replace the bearing and nut assembly on the shaft and tighten the bearing nut snugly.

Replace the cutting head and blade assembly on motor body and **Torque all three cap screws to 40 inch-pounds.**