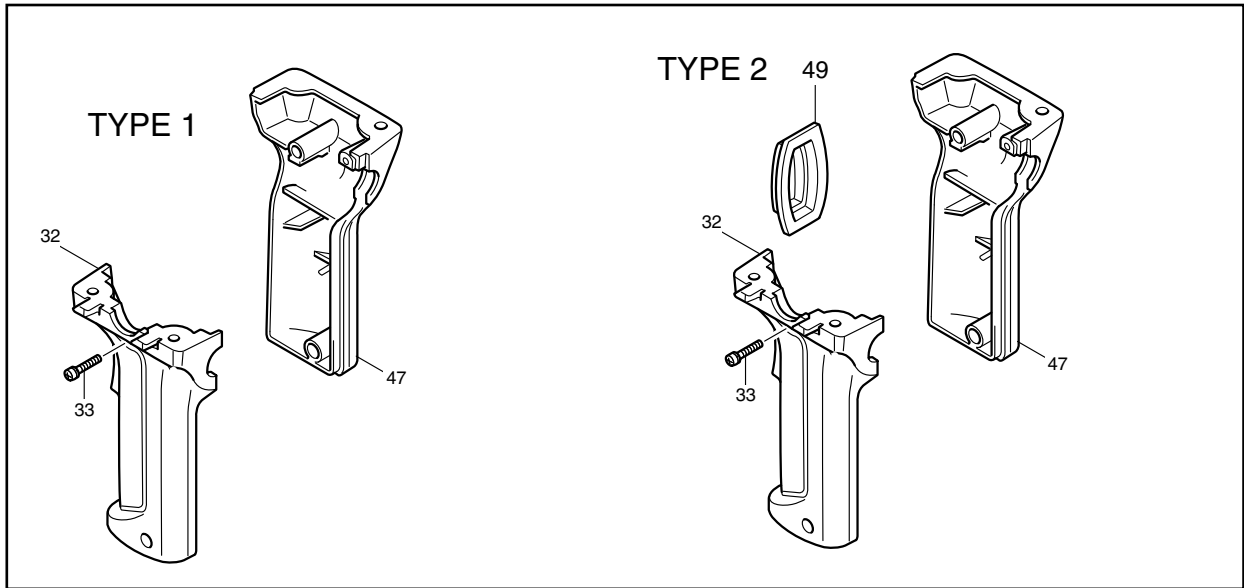


Item No.	Part No.	Qty. Used	Description	Item No.	Part No.	Qty. Used	Description
1	***	1	- FLAT HEAD SCREW M6X22	48	411485-9	1	HANDLE SET
3	325494-1	1	SPINDLE				INC. 42
4	254211-1	1	KEY 5	49	*	1	DUST COVER
5	285808-5	1	BEARING RETAINER 25-36	65	**	2	RETAINER
6	211206-7	1	BALL BEARING 6202LLB				
7	312989-3	1	GEAR HOUSING COVER INC. 27				
8	212012-3	1	NEEDLE BEARING 609				
9	261008-1	1	FIBER WASHER 6				
10	226028-2	1	GEAR COMPLETE 7-41				
11	211016-2	1	BALL BEARING 626LLB				
12	263002-9	1	RUBBER PIN 4				
13	312988-5	1	GEAR HOUSING INC. 12				
14	****	4	TAPPING SCREW BT M5X35				
15	257018-4	1	RING 15	2	***	1	DRILL CHUCK S13
16	221261-1	1	SPUR GEAR 47	400	***	1	CHUCK KEY S13
17	961054-1	1	RETAINING RING S-14	401	152492-0	1	GRIP 36 COMPLETE
18	212003-4	1	NEEDLE BEARING 810				
19	253192-6	1	FLAT WASHER 14				
20	263002-9	1	RUBBER PIN 4				
21	211033-2	1	BALL BEARING 608LB				
22	681613-2	1	INSULATION WASHER				
23	**	1	ARMATURE ASS'Y 115V INC. 21,22,24-26				
24	241622-9	1	FAN 62				
25	213002-9	1	DUST SEAL 8				
26	211031-6	1	BALL BEARING 608LLB				
27	263002-9	1	RUBBER PIN 4				
28	****	2	TAPPING SCREW BT M5X60				
29	411487-5	1	BAFFLE PLATE				
30	**	1	FIELD ASS'Y 115V				
31	651564-3	1	SWITCH SL220SD-4				
32	*	1	SWITCH HANDLE COVER SET INC. 47				
33	*	3	PAN HEAD SCREW M4X28				
35	****	4	TAPPING SCREW BT M5X28				
36	911133-5	2	PAN HEAD SCREW M4X18				
37	687002-9	1	STRAIN RELIEF				
38	682502-4	1	CORD GUARD 8-85				
39	664064-4	1	POWER SUPPLY CORD AWG#18-2-2.5				
40	****	1	MOTOR HOUSING COMPLETE INC. 20				
41	911153-9	4	PAN HEAD SCREW M4X28				
42	411485-9	1	HANDLE SET INC. 48				
44	953106-2	2	RIVET 0-5				
45	181021-2	1	CARBON BRUSH CB-51				
46	643550-8	2	BRUSH HOLDER CAP 5-8				
47	*	1	SWITCH HANDLE COVER SET INC. 32				

ACCESSORIES

SERVICE CHANGE

1. Dust Cover has been added.

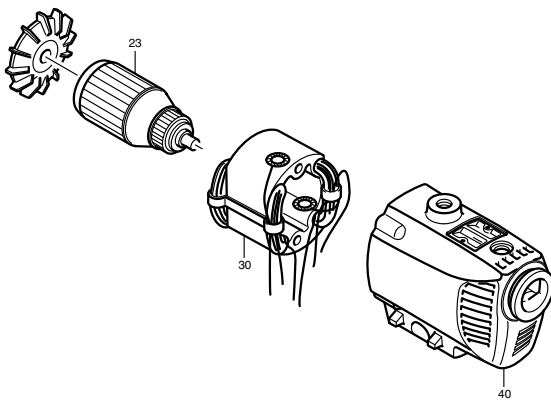


Interchangeability(I/C)

Item No.	Type 1	Q'ty	I/C	Type 2	Q'ty	Note
32	Switch Handle Cover (L) 411484-1 (Discontinued)	1	No	Switch Handle Cover Set 183110-9	1	↑ Interchangeable as a set ↓
47	Switch Handle (R) 411483-3 (Discontinued)	1	No			
33	Pan Head Screw Uses 2 pcs.	2	No	Pan Head Screw Uses 3 pcs.	3	
49			No	Dust Cover 421297-2	1	

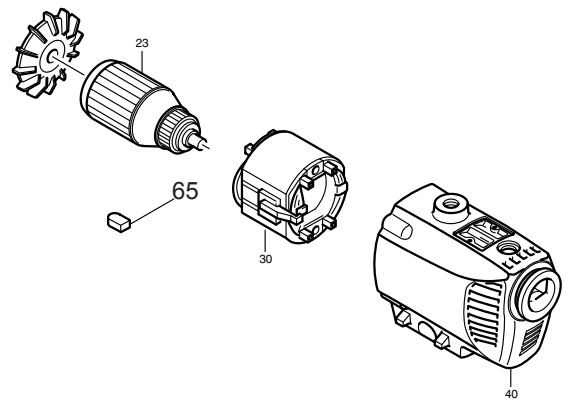
2. Change on Armature.

TYPE 1



6 AMP

TYPE 2

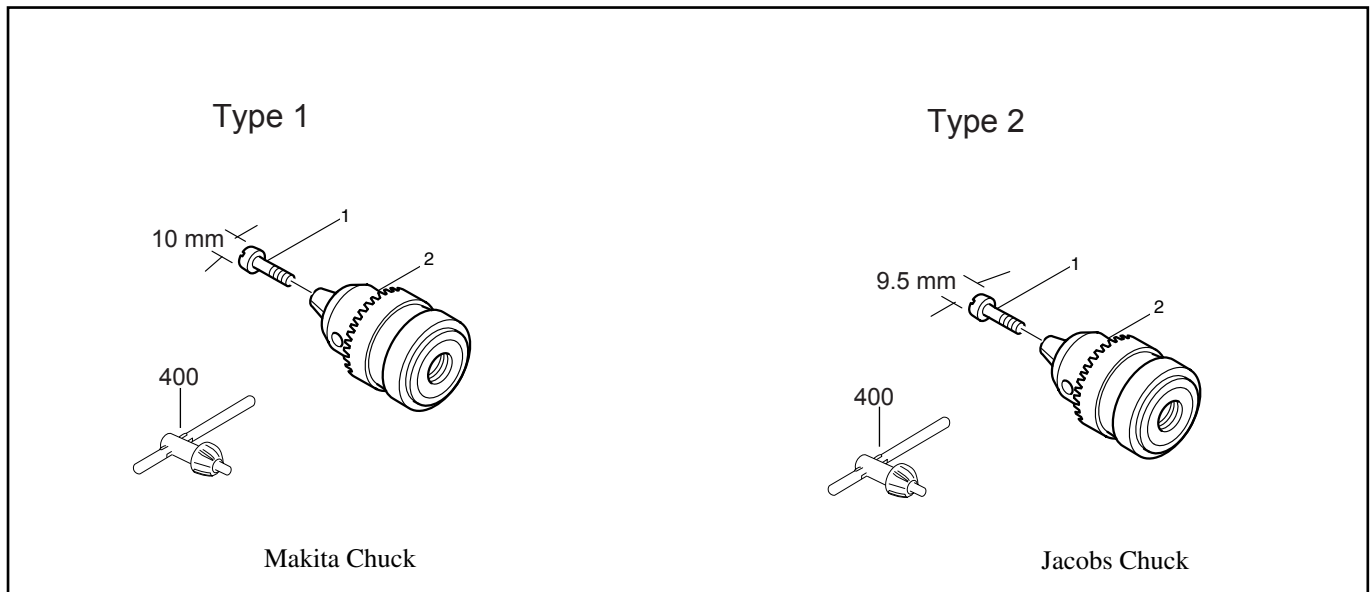


6.3 AMP

Interchangeability(I/C)

Item No.	Type 1	Q'ty	I/C	Type 2	Q'ty	Note
23	Armature 612611-5	1	No	Armature 616196-3	1	↑ Interchangeable as a set ↓
30	Field 622436-9	1	No	Field 634206-4	1	
40	Motor Housing 156443-5 (Discontinued)	1	No	Motor Housing 159726-2 (See Service Change 4)	1	
65			No	Retainer 343657-7	2	

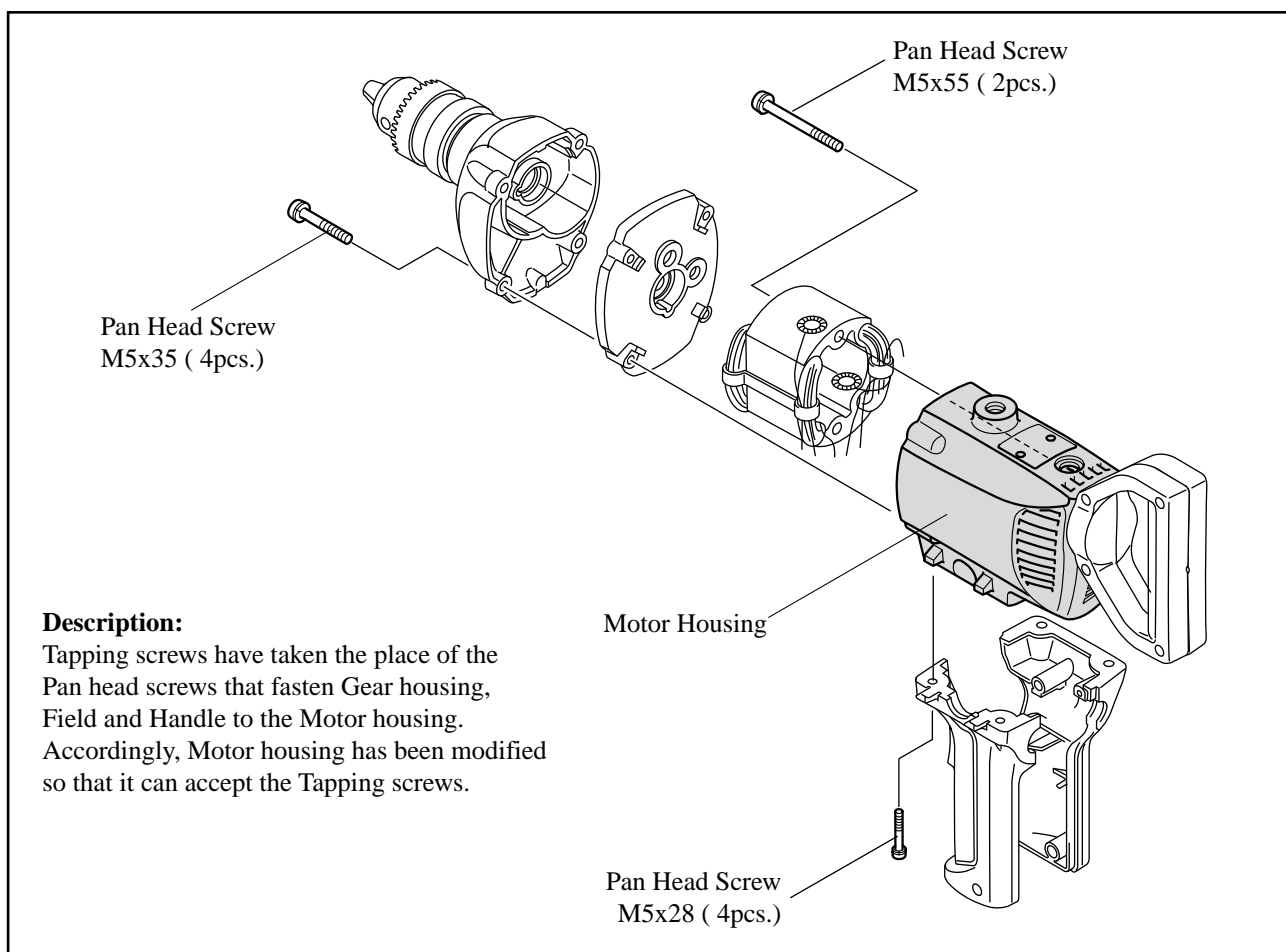
3. Change on Drill Chuck and Chuck Key.



Interchangeability(I/C)

Item No.	Type 1	Type 2	Q'ty	I/C	Type 3	Q'ty	Note
1	Screw M6x22 251425-3	Screw M6x22 251441-5	1	No		1	↑ Interchangeable as a set ↓
2	Drill Chuck 763047-2	Drill Chuck 763047-2A (Discontinued)	1	No	Drill Chuck 763078-1	1	
400	Chuck Key 763411-7	Drill Chuck 763411-7A (Discontinued)	1	No	Chuck Key 763420-6	1	

4. Change on Motor Housing and Pan Head Screw.



Interchangeability(I/C)

Item No.	Type 2	Q'ty	I/C	Type 3	Q'ty	Note
14	Pan Head Screw M5x35 911256-9	4	No	Tapping Screw BT M5x35 266105-8	4	↑ Interchangeable as a set ↓
28	Pan Head Screw M5x55 911280-2	2	No	Tapping Screw BT M5x60 266106-6	2	
35	Pan Head Screw M5x28 911248-8	4	No	Tapping Screw BT M5x28 266107-4	4	
40	Motor Housing 159726-2 (Discontinued)	1	No	Motor Housing 416214-5	1	